

This file is available for free download at <http://www.iluvmyrx7.com>

This file was not scanned to deprive Mazda of any money – it was scanned due to the rareness of the original manuals and the overwhelming need of the RX-7 owner to have this information so that they can accurately troubleshoot problems. Perhaps if Mazda's dealerships could support the Rotary Engine it wouldn't be so necessary for the owners to do so.



Many thanks to Anh Diep for scanning this file.

Before beginning any service procedure, refer to the 1993 RX-7 Body Electrical Troubleshooting Manual; Section S for air bag system precautions and J1 for audio anti-theft system precautions.

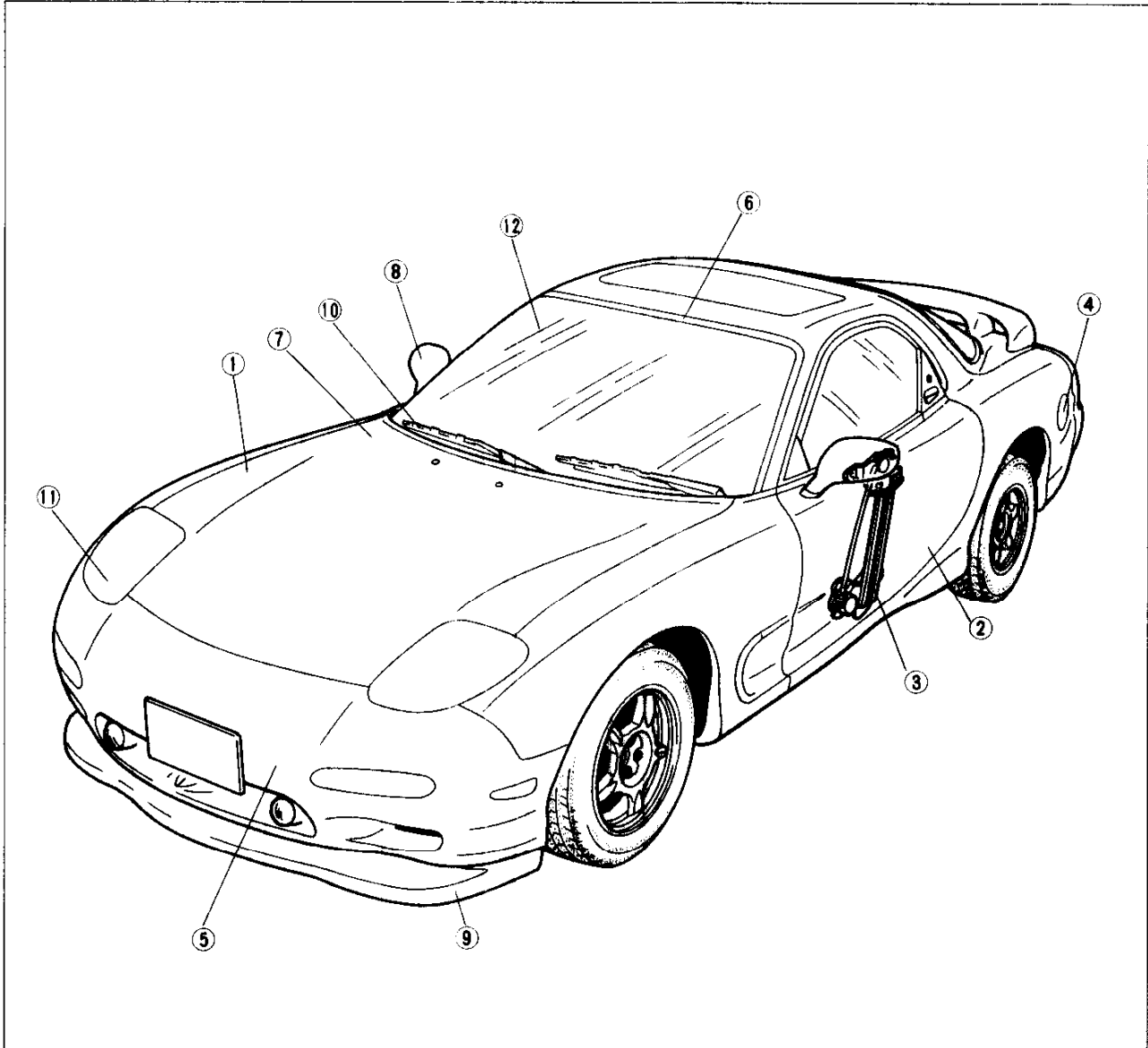
## BODY

<b>INDEX</b> .....	S - 2	<b>HEADLIGHT CLEANER</b> .....	S -38
<b>HOOD</b> .....	S - 5	COMPONENTS .....	S -38
COMPONENTS .....	S - 5	<b>WINDSHIELD</b> .....	S -39
<b>DOOR</b> .....	S - 7	PREPARATION .....	S -39
PREPARATION .....	S - 7	COMPONENTS .....	S -39
COMPONENTS .....	S - 8	<b>REAR HATCH GLASS</b> .....	S -43
<b>WINDOW REGULATOR, GLASS</b>		PREPARATION .....	S -43
<b>AND GUIDE</b> .....	S -10	COMPONENTS .....	S -43
COMPONENTS .....	S -10	<b>SLIDING SUNROOF</b> .....	S -46
<b>DOOR LOCK AND OPENER</b> .....	S -11	COMPONENTS .....	S -46
COMPONENTS .....	S -11	SLIDING SUNROOF DRIVE UNIT	
<b>REAR HATCH</b> .....	S -12	ASSEMBLY .....	S -50
COMPONENTS .....	S -12	<b>DASHBOARD AND CONSOLE</b> .....	S -54
<b>REAR HATCH LOCK AND</b>		COMPONENTS .....	S -54
<b>OPENER</b> .....	S -14	<b>TRIM</b> .....	S -56
PREPARATION .....	S -14	COMPONENTS .....	S -56
COMPONENTS .....	S -14	<b>FLOOR MAT</b> .....	S -60
<b>FUEL-FILLER LID AND OPENER</b> .....	S -15	COMPONENTS .....	S -60
COMPONENTS .....	S -15	<b>HEADLINER</b> .....	S -61
<b>FRONT BUMPER</b> .....	S -16	COMPONENTS .....	S -61
COMPONENTS .....	S -16	<b>SEAT BELT</b> .....	S -63
<b>REAR BUMPER</b> .....	S -18	COMPONENTS .....	S -63
PREPARATION .....	S -18	SEAT BELT .....	S -64
COMPONENTS .....	S -18	<b>SEAT</b> .....	S -65
<b>EXTRACTOR CHAMBER</b> .....	S -20	COMPONENTS .....	S -65
COMPONENTS .....	S -20	<b>STORAGE COMPARTMENT</b> .....	S -68
<b>MOLDING</b> .....	S -21	COMPONENTS .....	S -68
PREPARATION .....	S -21		
COMPONENTS .....	S -21		
<b>SPOILER</b> .....	S -27		
COMPONENTS .....	S -27		
<b>COWL GRILLE</b> .....	S -28		
COMPONENTS .....	S -28		
<b>POWER OUTSIDE MIRROR</b> .....	S -29		
COMPONENTS .....	S -29		
<b>REARVIEW MIRROR</b> .....	S -31		
PREPARATION .....	S -31		
COMPONENTS .....	S -31		
<b>WINDSHIELD WIPER AND</b>			
<b>WASHER</b> .....	S -33		
COMPONENTS .....	S -33		
WINDSHIELD WIPER MOTOR .....	S -35		
<b>REAR WIPER AND WASHER</b> .....	S -36		
COMPONENTS .....	S -36		

37U0SX-600

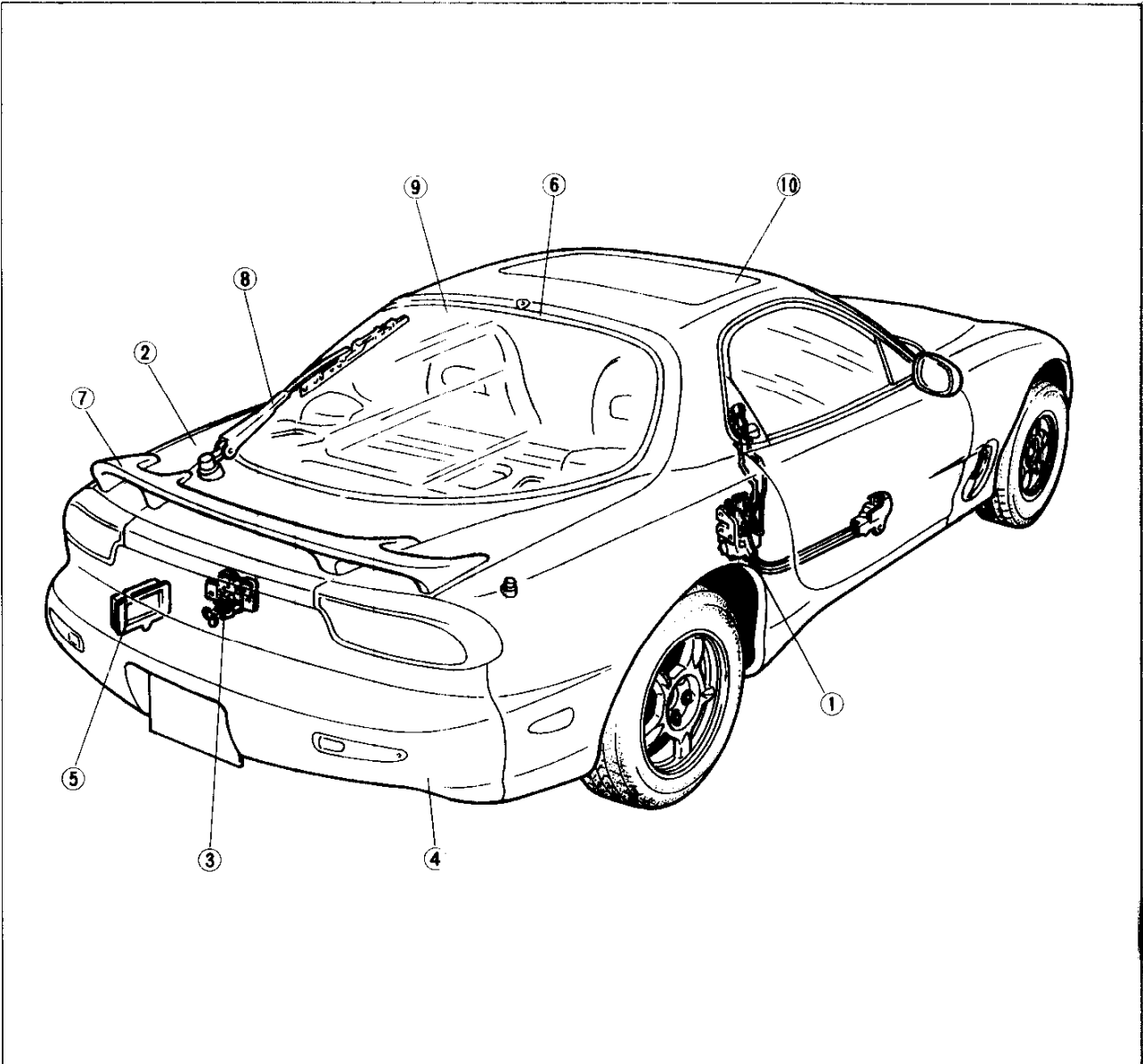
**NOTE:** Refer to the 1993 RX-7 Body Electrical Troubleshooting Manual (No. 1312-10-91L) for servicing of the body electrical components.

## INDEX



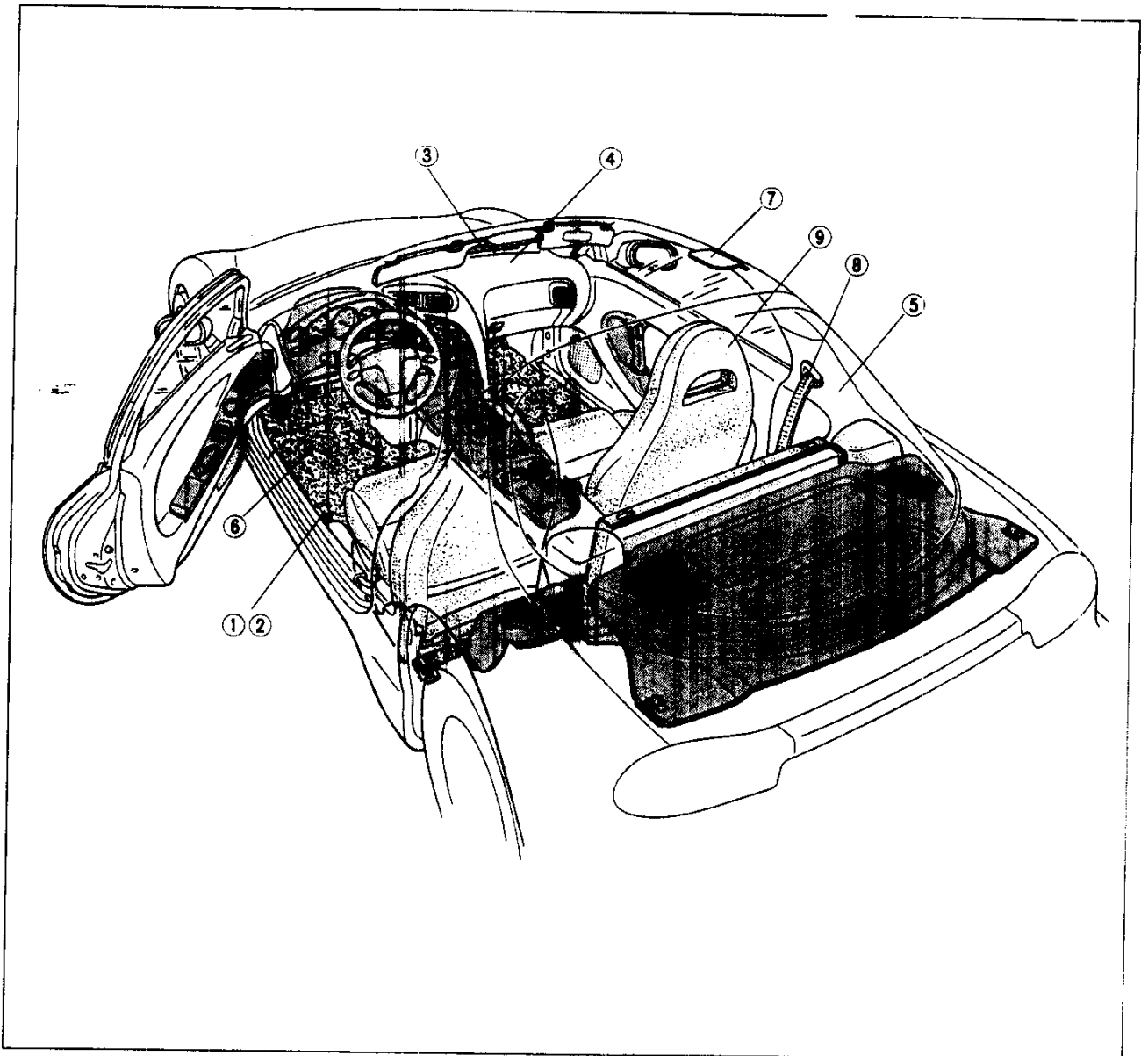
37U0SX-689

- |                                 |           |
|---------------------------------|-----------|
| 1. Hood                         |           |
| Removal / Installation .....    | page S- 5 |
| Adjustment .....                | page S- 6 |
| 2. Door                         |           |
| Removal / Installation .....    | page S- 8 |
| Adjustment .....                | page S- 9 |
| 3. Window regulator and glass   |           |
| Removal / Installation .....    | page S-10 |
| 4. Fuel-filler lid and opener   |           |
| Removal / Installation .....    | page S-15 |
| 5. Front bumper                 |           |
| Removal / Installation .....    | page S-16 |
| Disassembly / Assembly .....    | page S-17 |
| 6. Molding                      |           |
| Removal / Installation .....    | page S-21 |
| 7. Cowl grille                  |           |
| Removal / Installation .....    | page S-28 |
| 8. Power outside mirror         |           |
| Removal / Installation .....    | page S-29 |
| 9. Spoiler                      |           |
| Removal / Installation .....    | page S-27 |
| 10. Windshield wiper and washer |           |
| Removal / Installation .....    | page S-33 |
| Adjustment .....                | page S-34 |
| 11. Headlight cleaner           |           |
| Removal / Installation .....    | page S-38 |
| 12. Windshield                  |           |
| Removal / Installation .....    | page S-39 |



37U0SX-601

- |  |   |
|--|---|
| <ul style="list-style-type: none"> <li>1. Door lock and opener<br/>Removal / Installation ..... page S-11</li> <li>2. Rear hatch<br/>Removal / Installation ..... page S-12<br/>Adjustment ..... page S-13</li> <li>3. Rear hatch lock and opener<br/>Removal / Installation ..... page S-14</li> <li>4. Rear bumper<br/>Removal / Installation ..... page S-18<br/>Disassembly / Assembly ..... page S-19</li> <li>5. Extractor chamber<br/>Removal / Installation ..... page S-20</li> </ul> | <ul style="list-style-type: none"> <li>6. Molding<br/>Removal / Installation ..... page S-21</li> <li>7. Spoiler<br/>Removal / Installation ..... page S-27</li> <li>8. Rear wiper and washer<br/>Removal / Installation ..... page S-36<br/>Adjustment ..... page S-37</li> <li>9. Rear hatch glass<br/>Removal / Installation ..... page S-43</li> <li>10. Sliding sunroof<br/>Removal / Installation ..... page S-46<br/>Disassembly / Assembly ..... page S-50</li> </ul> |
|--|---|



37U05 X-602

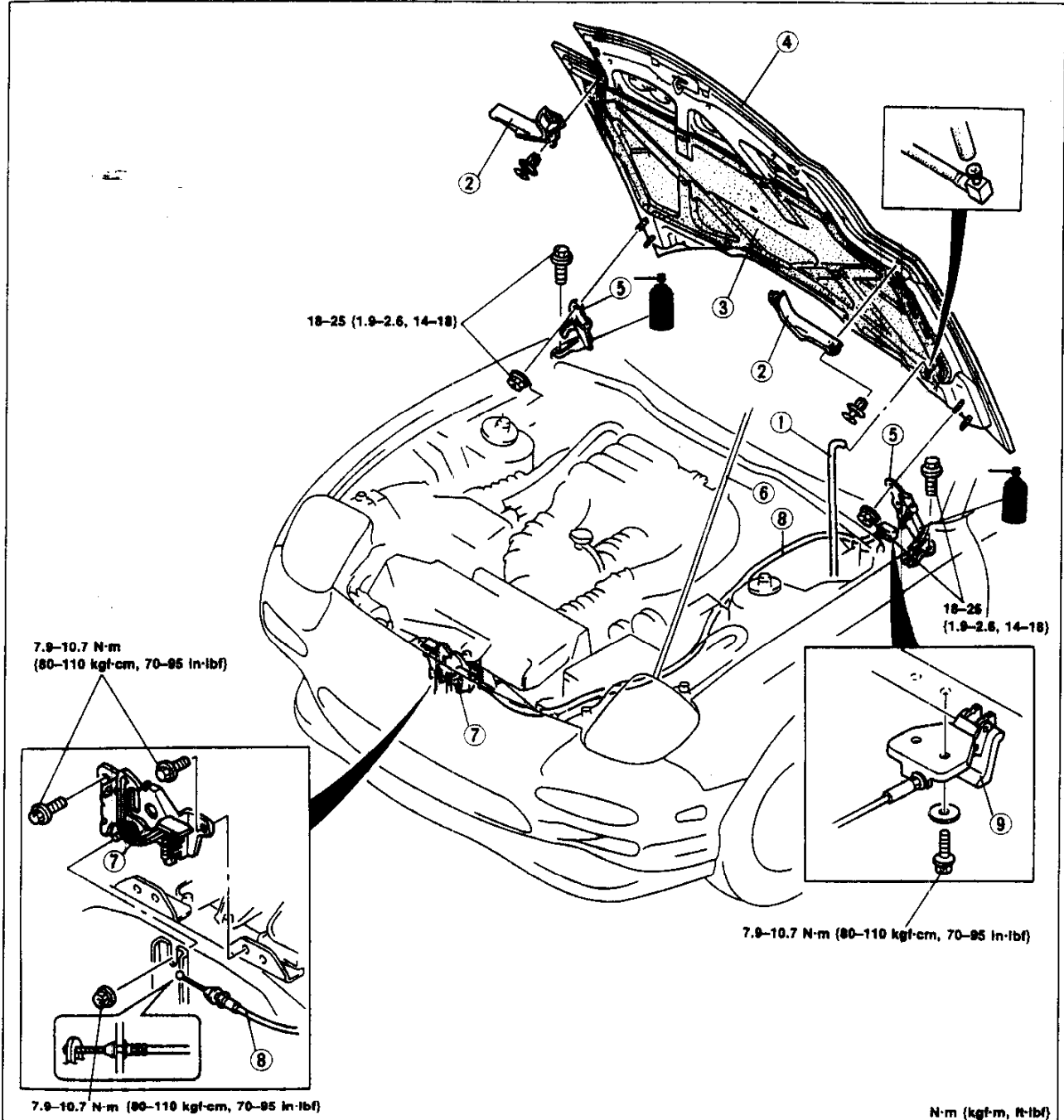
- |   |           |  |           |
|---|-----------|--|-----------|
| 1. Rear hatch lock and opener<br>Removal / Installation ..... | page S-14 | 6. Floor mat<br>Removal / Installation ..... | page S-60 |
| 2. Fuel-filler lid and opener<br>Removal / Installation ..... | page S-15 | 7. Headliner<br>Removal / Installation ..... | page S-61 |
| 3. Rearview mirror<br>Removal / Installation .....            | page S-31 | 8. Seat belt<br>Removal / Installation ..... | page S-63 |
| 4. Dashboard and console<br>Removal / Installation .....      | page S-54 | Inspection .....                             | page S-64 |
| 5. Trim<br>Removal / Installation .....                       | page S-56 | 9. Seat<br>Removal / Installation .....      | page S-65 |
|   |           | Disassembly / Assembly .....                 | page S-66 |

HOOD

COMPONENTS

Removal / Installation

- 1. Remove in the order shown in the figure.
- 2. Install in the reverse order of removal.

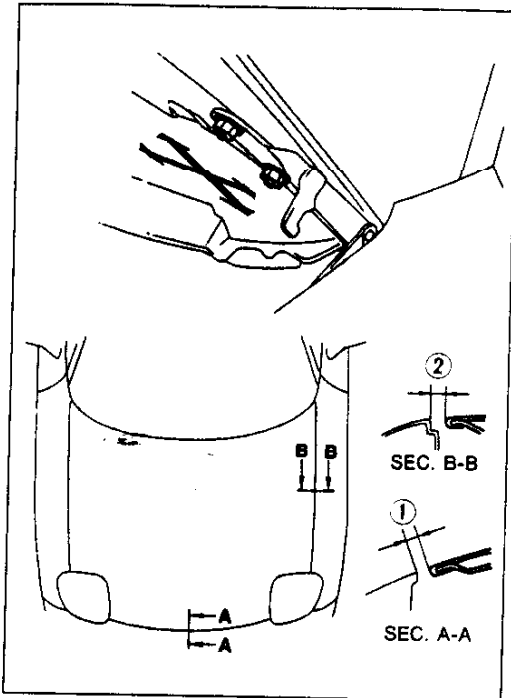


- 1. Washer pipe
- 2. Protector
- 3. Hood insulator
- 4. Hood

Adjustment ..... page S-6

- 5. Hinge
- 6. Stay
- 7. Lock assembly
- 8. Release cable
- 9. Hood release Knob

Adjustment ..... page S-6



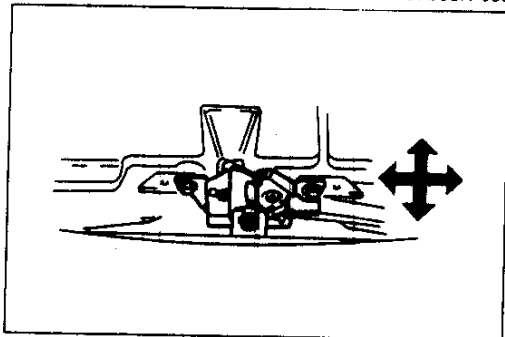
37U0SX-603

### Adjustment Hood

Adjust the hood laterally or vertically by loosening the hood-to-hinge mounting nuts and repositioning the hood.

**Clearance:** (1)  $4.0 \pm 1.0$  mm { $0.16 \pm 0.04$  in}  
 (2)  $4.5 \pm 1.0$  mm { $0.18 \pm 0.04$  in}

**Tightening torque:**  
 19–25 N·m {1.9–2.6 kgf·m, 14–18 ft·lbf}



37U0SX-604

### Lock assembly

1. Adjust the lock assembly after the hood has been aligned.
2. Loosen the lock mounting bolts and nut, and align the lock with the striker on the hood.

### Tightening torque

**Bolts:** 7.9–10.7 N·m {80–110 kgf·cm, 70–95 in·lbf}  
**Nut :** 7.9–10.7 N·m {80–110 kgf·cm, 70–95 in·lbf}

DOOR

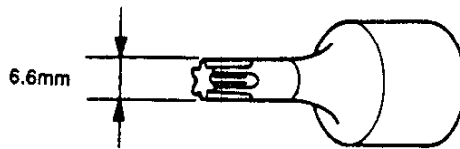
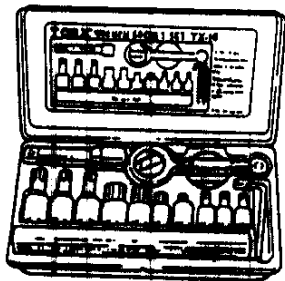
PREPARATION

TORX tool (T40)	For installation / removal of door lock striker
-----------------	---

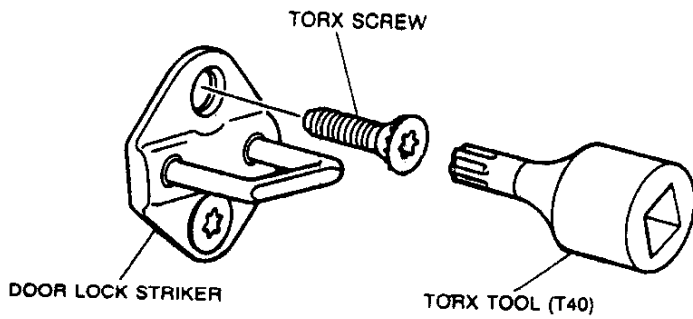
1PE0SX-009

TORX TOOL (T40)

1. ILLUSTRATION



2. USAGE



1PE0SX-010



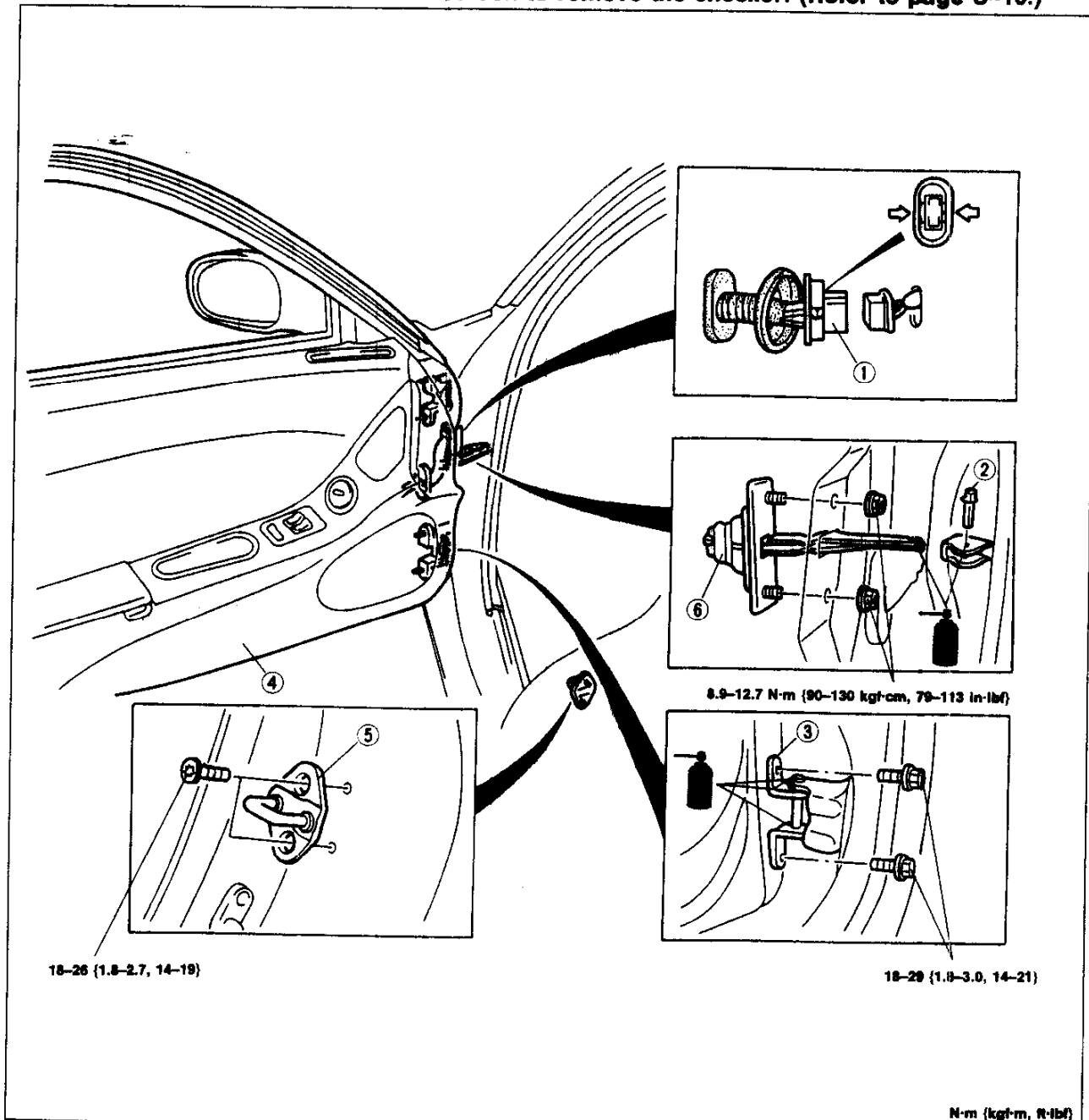
COMPONENTS

Removal / Installation

1. Disconnect the negative battery cable.
2. Remove in the order shown in the figure.
3. Install in the reverse order of removal.

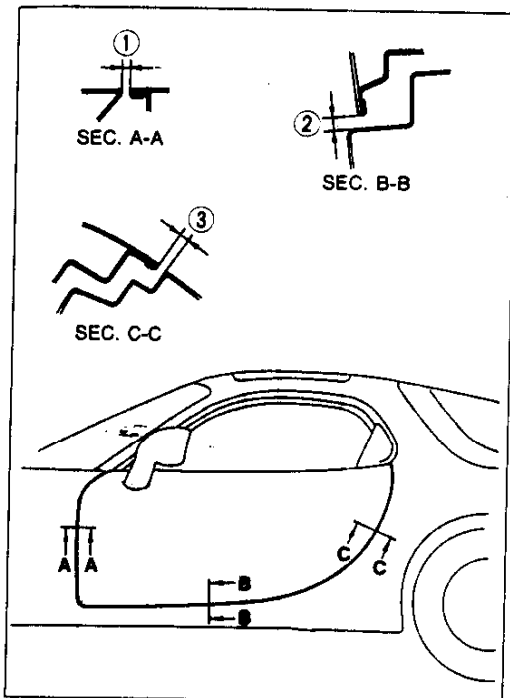
Note

• Remove the door trim and door screen to remove the checker. (Refer to page S-10.)



1. Harness connector
2. Checker pin
3. Door hinge
4. Door  
Adjustment ..... page S-9

5. Door lock striker  
Adjustment ..... page S-9
6. Checker



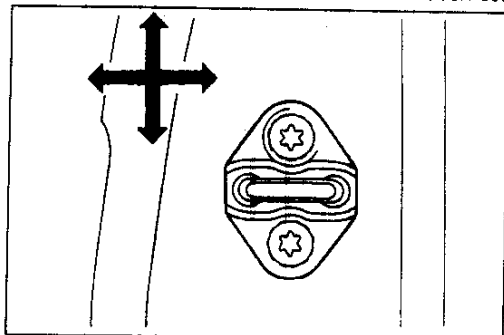
37U0SX-605

### Adjustment Door

Adjust the door laterally or vertically by loosening the door-hinge-to-body mounting bolts and repositioning the door.

**Clearance:** (1)  $4 \pm 1 \text{ mm}$  { $0.2 \pm 0.04 \text{ in}$ }  
 (2)  $6 \pm 2 \text{ mm}$  { $0.3 \pm 0.07 \text{ in}$ }  
 (3)  $4 \pm 1 \text{ mm}$  { $0.2 \pm 0.04 \text{ in}$ }

**Tightening torque:**  
 $18\text{--}29 \text{ N}\cdot\text{m}$  { $1.8\text{--}3.0 \text{ kgf}\cdot\text{m}$ ,  $14\text{--}21 \text{ ft}\cdot\text{lb}$ }



37U0SX-606

### Door lock striker

1. Verify that the door can be closed easily and that there is no looseness. If there is a problem, loosen the striker mounting screws and move the striker horizontally or vertically.
2. Verify the rear offset of the door to the body. If there is a problem, move the door lock striker vertically.

**Tightening torque:**  
 $18\text{--}26 \text{ N}\cdot\text{m}$  { $1.8\text{--}2.7 \text{ kgf}\cdot\text{m}$ ,  $14\text{--}19 \text{ ft}\cdot\text{lb}$ }

WINDOW REGULATOR, GLASS AND GUIDE

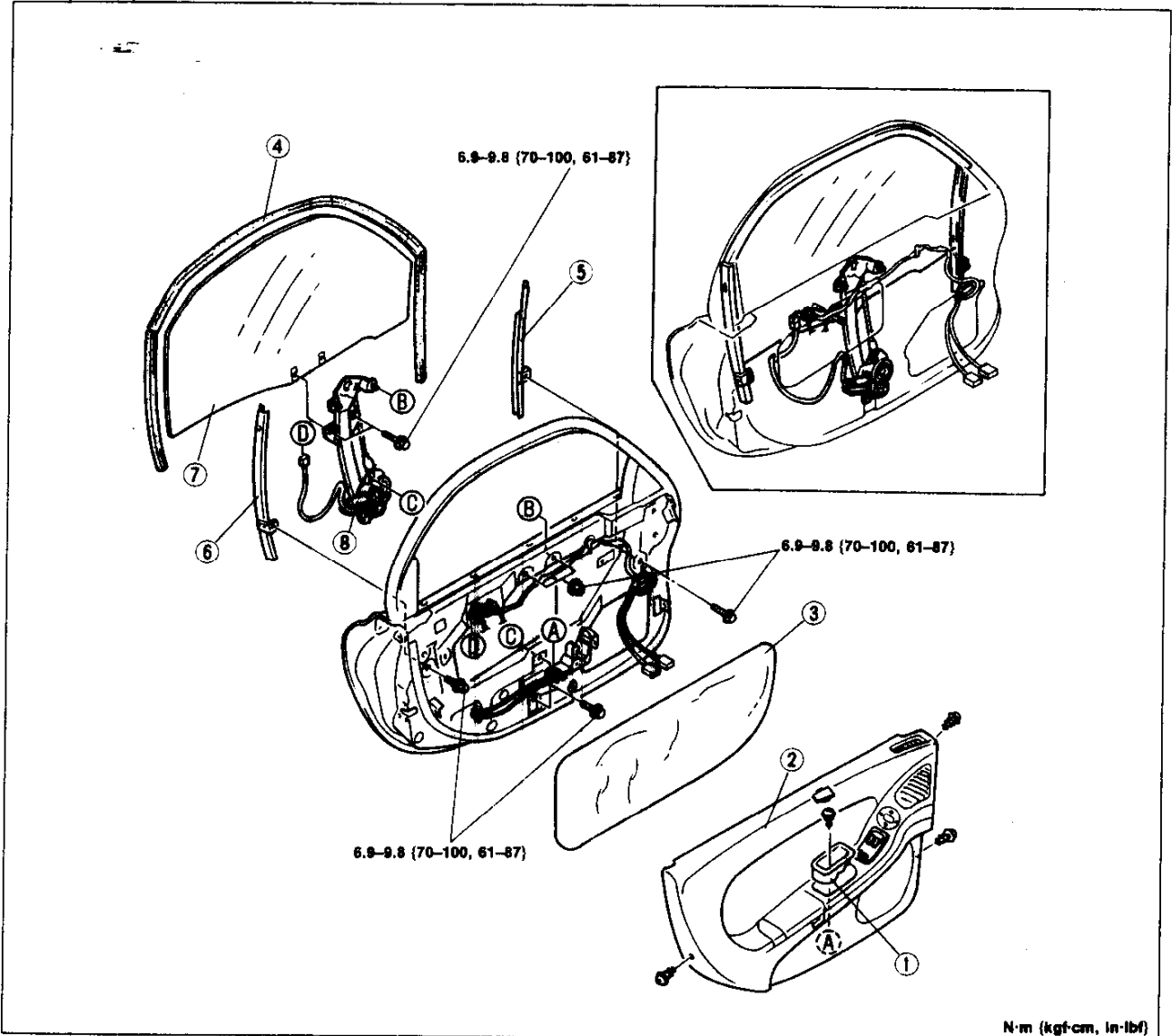
COMPONENTS

Removal / Installation

1. Lower the door glass 200 mm {0.79 in} from the fully raised position.
2. Disconnect the negative battery cable.
3. Remove in the order shown in the figure.
4. Install in the reverse order of removal.

Caution

- Remove the door screen carefully so that it may be reused.



1. Inner handle cover
2. Door trim
- Removal / Installation ..... page S-56
3. Door screen
4. Glass run channel

5. Glass guide A
6. Glass guide B
7. Door glass
8. Power window regulator

DOOR LOCK AND OPENER

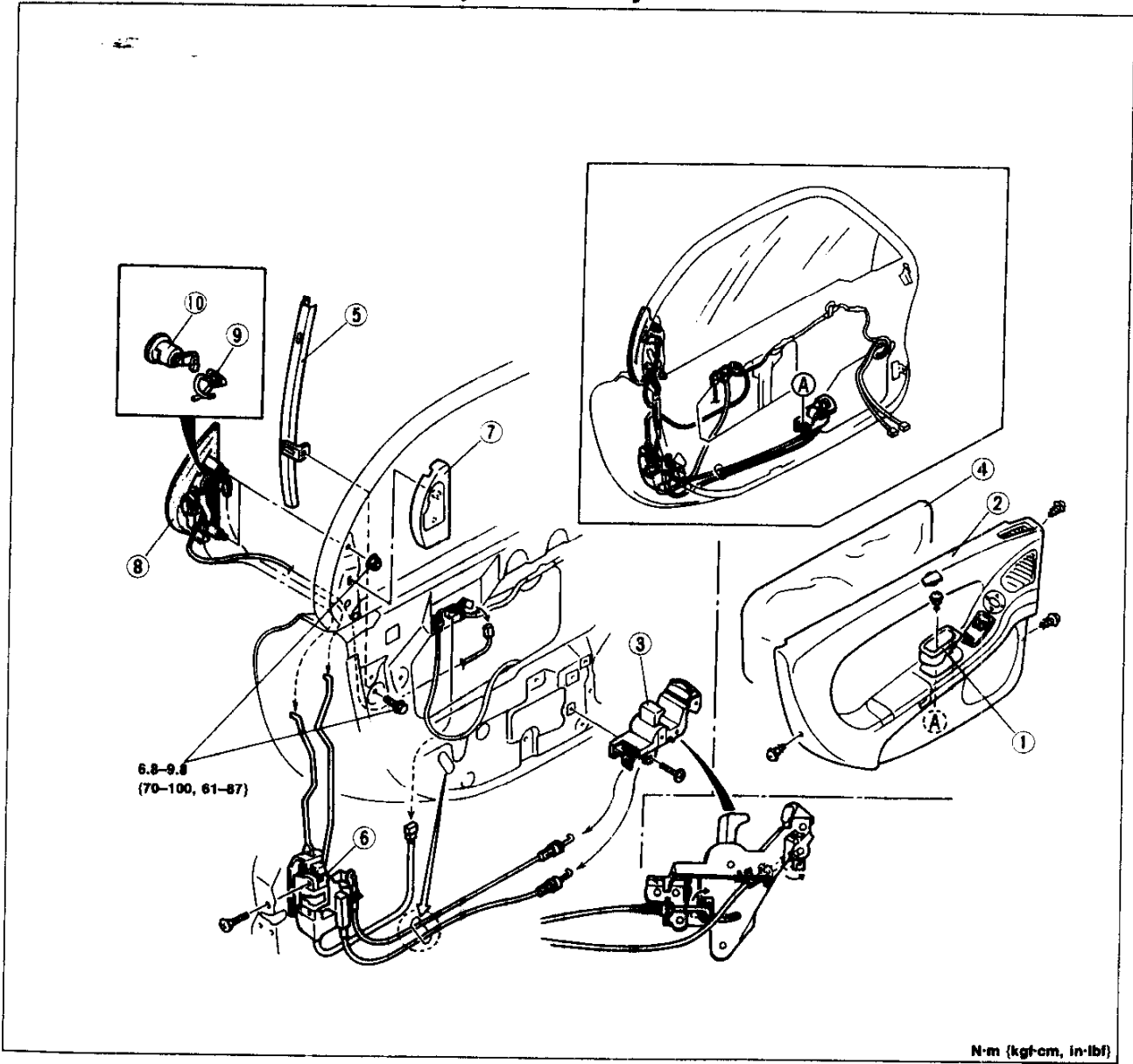
COMPONENTS

Removal / Installation

1. Raise the front door glass fully.
2. Disconnect the negative battery cable.
3. Remove in the order shown in the figure.
4. Install in the reverse order of removal.

Caution

- Remove the door screen carefully so that it may be reused.



N·m (kg·cm, in·lbf)  
37U0SX-608

- |  |   |
|--|---|
| <ol style="list-style-type: none"> <li>1. Inner handle cover</li> <li>2. Door trim</li> <li>3. Inner handle</li> <li>4. Door screen</li> <li>5. Glass guide B</li> </ol> | <ol style="list-style-type: none"> <li>6. Door lock</li> <li>7. Inner garnish</li> <li>8. Outer handle</li> <li>9. Lock cylinder retainer</li> <li>10. Lock cylinder</li> </ol> |
|--|---|

Removal / Installation ..... page S-56

REAR HATCH

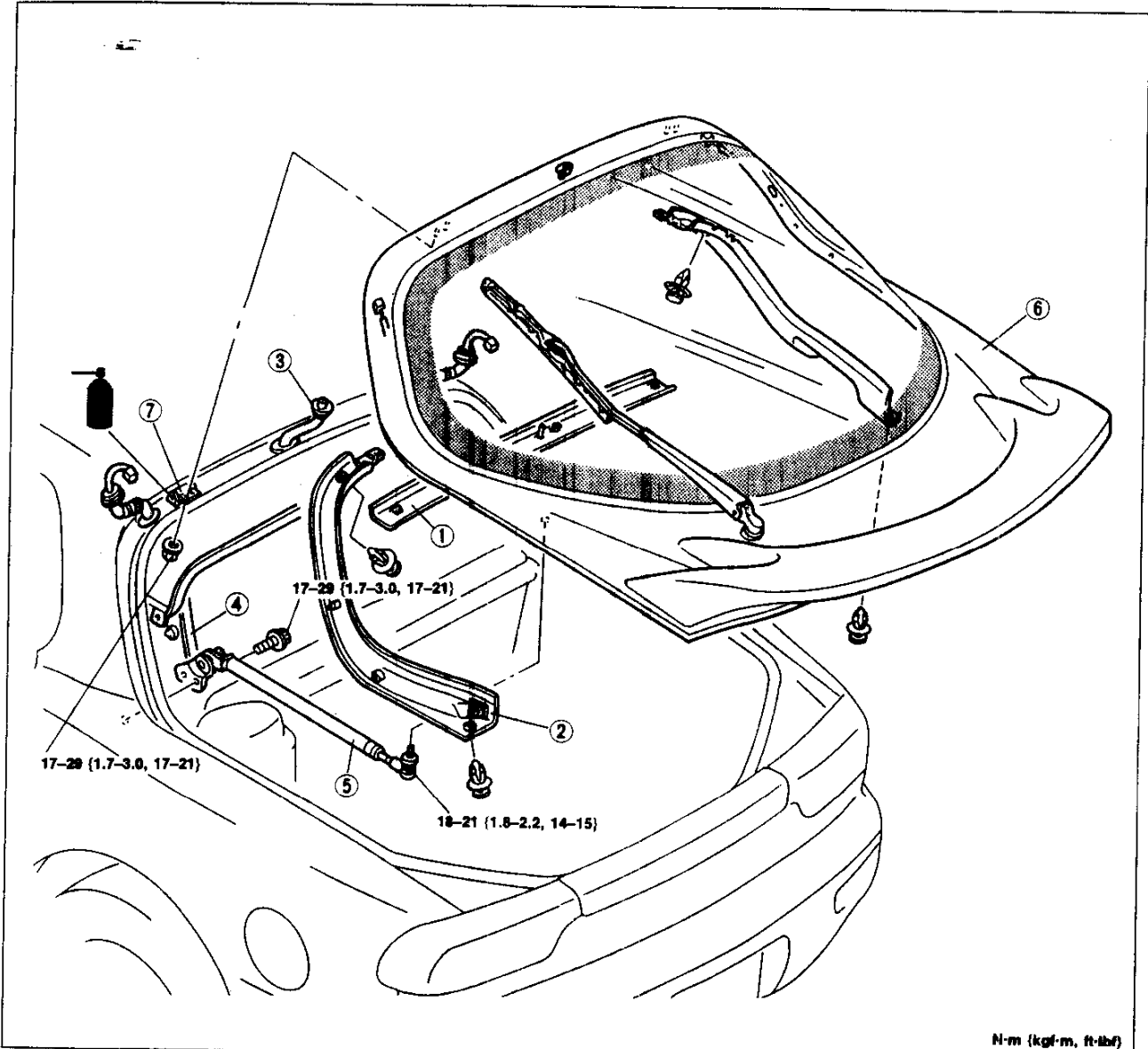
COMPONENTS

Removal / Installation

1. Disconnect the negative battery cable.
2. Remove in the order shown in the figure.
3. Install in the reverse order of removal.

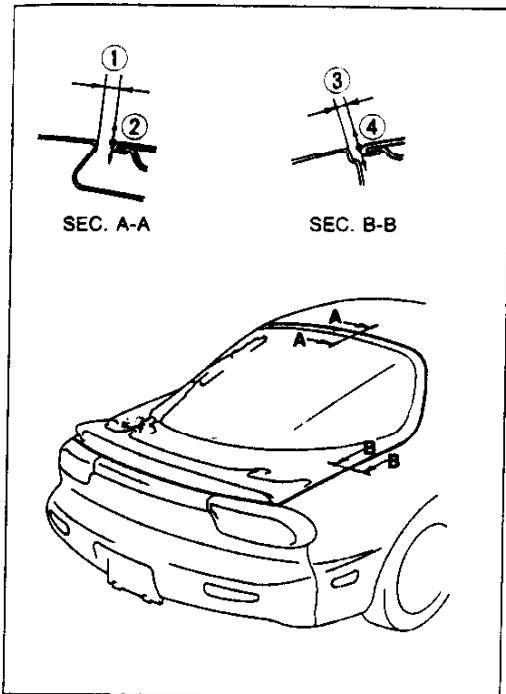
Note

- Remove the headliner to remove and install the rear hatch hinges.  
(Refer to page S-61.)



37UOSX-609

- |   |   |
|---|---|
| <ol style="list-style-type: none"> <li>1. Rear hatch upper trim<br/>Removal / Installation ..... page S-56</li> <li>2. Rear hatch side trim<br/>Removal / Installation ..... page S-56</li> <li>3. Washer pipe</li> </ol> | <ol style="list-style-type: none"> <li>4. Quarter trim<br/>Removal / Installation ..... page S-56</li> <li>5. Stay damper</li> <li>6. Rear hatch<br/>Adjustment ..... page S-13</li> <li>7. Rear hatch hinge</li> </ol> |
|---|---|



37U0SX-610

**Adjustment**

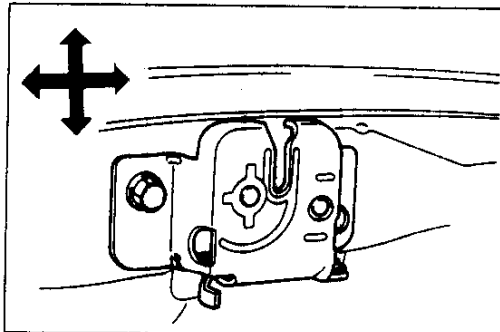
**Rear hatch**

Adjust the rear hatch laterally and vertically by loosening the rear-hatch-to-hinge mounting bolts and repositioning the rear hatch.

- Clearance:** (1)  $7 \pm 1.5$  mm { $0.3 \pm 0.06$  in}  
 (2)  $1 \pm 1.0$  mm { $0.04 \pm 0.04$  in}  
 (3)  $4 \pm 2$  mm { $0.16 \pm 0.08$  in}  
 (4)  $1 \pm 2$  mm { $0.04 \pm 0.08$  in}

**Tightening torque:**

**17–29 N·m {1.7–3.0 kgf·m, 17–21 ft·lbf}**



37U0SX-611

**Rear hatch lock**

1. Adjust the rear hatch lock after the rear hatch has been aligned.
2. Remove the trunk end trim. (Refer to page S-56.)
3. Loosen the rear hatch lock mounting bolts, and align the lock with the striker on the rear hatch.

**Tightening torque:**

**16–22 N·m {1.6–2.3 kgf·m, 12–19 ft·lbf}**

**REAR HATCH LOCK AND OPENER  
PREPARATION**

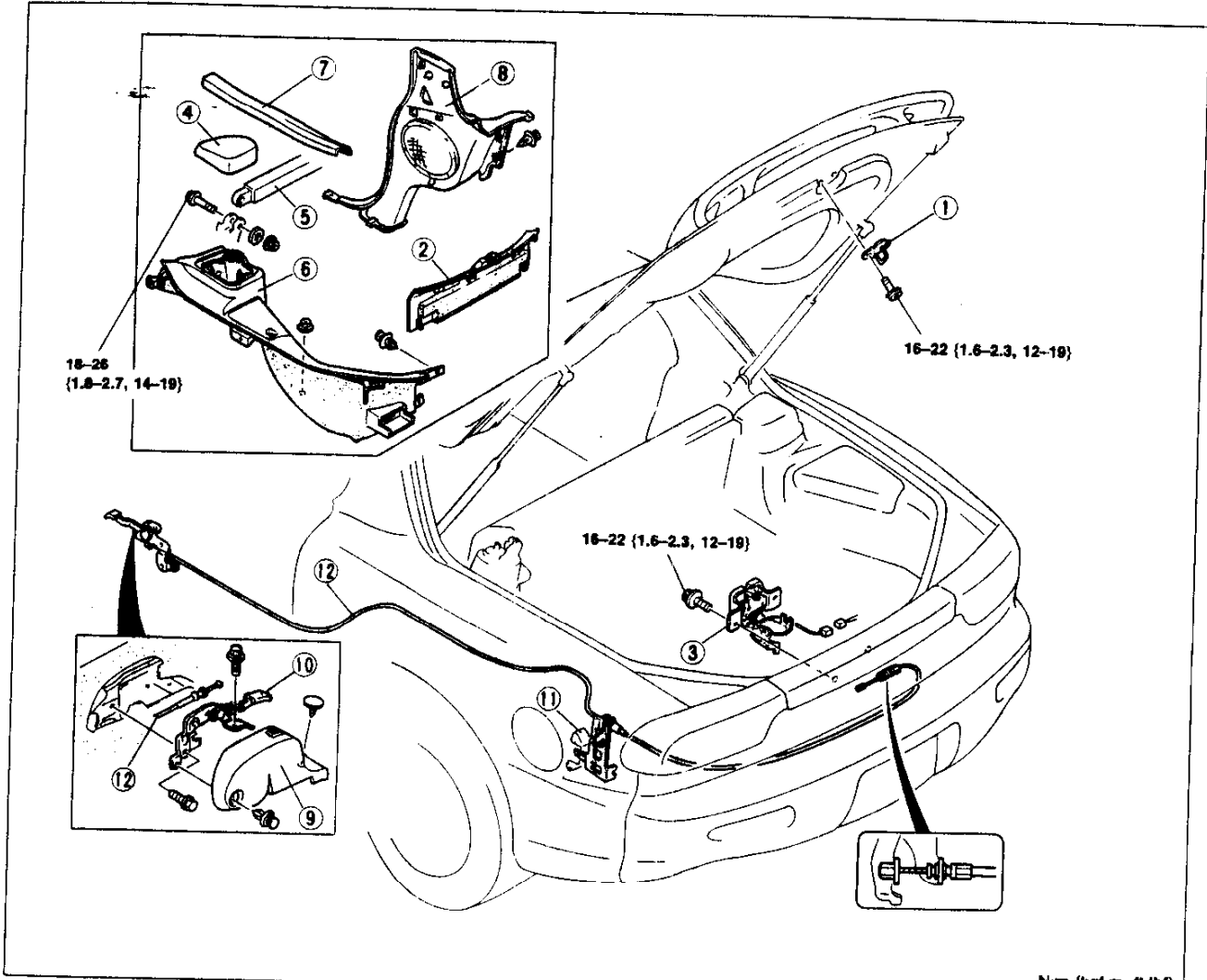
TORX tool (T40)	For installation / removal of rear hatch striker
-----------------	--

37U0SX-691

**COMPONENTS**

**Removal / Installation**

1. Remove in the order shown in the figure.
2. Install in the reverse order of removal.



N·m {kgf·m, ft·lbf}

37U0SX-612

**Rear hatch lock**

1. Rear hatch striker
2. Trunk end trim  
Removal / Installation ..... page S-56
3. Rear hatch lock  
Adjustment ..... page S-13

**Rear hatch opener, Rear hatch opener cable**

4. Suspension tower cover
5. Suspension rear strut bar

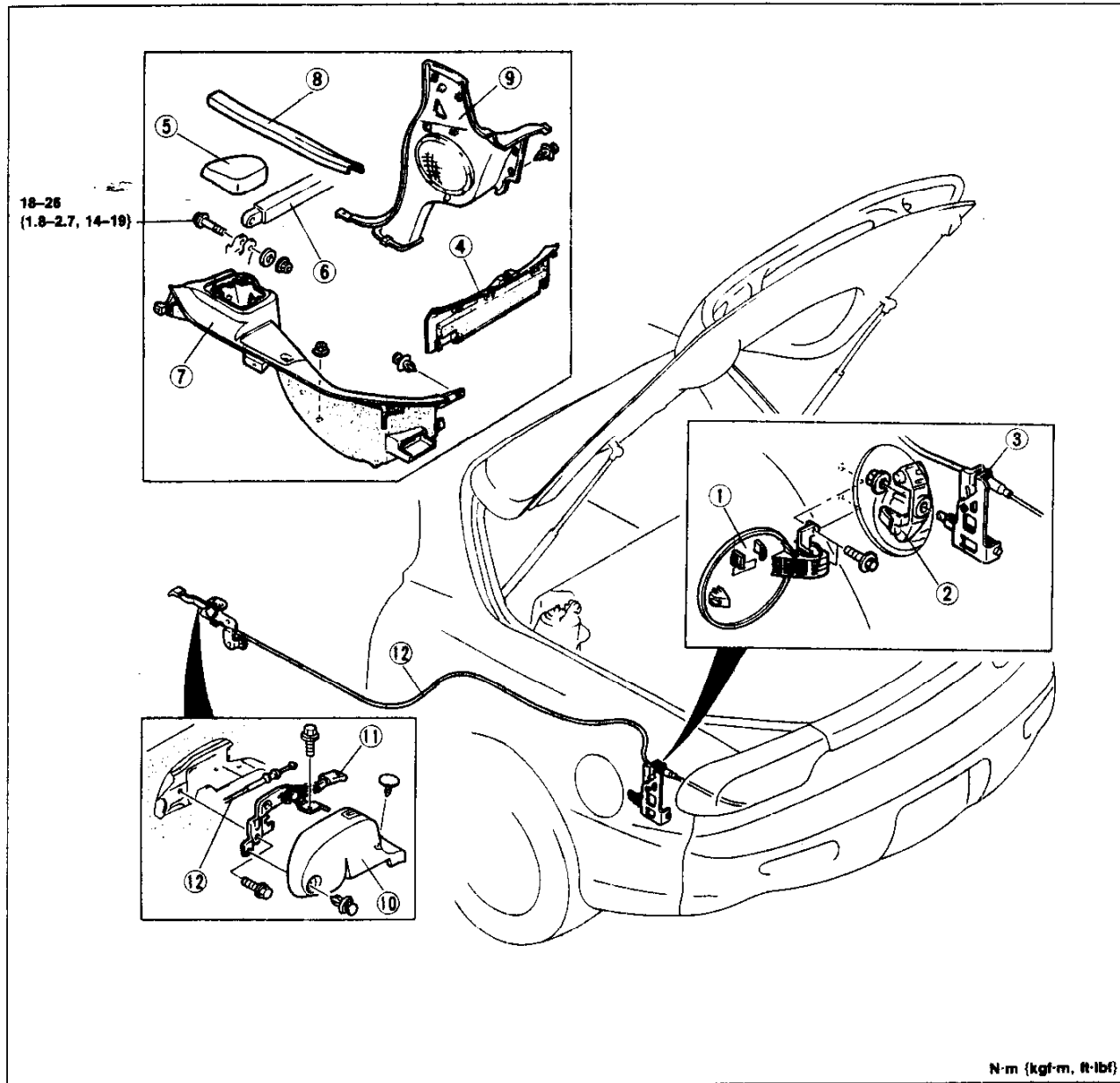
6. Trunk side trim  
Removal / Installation ..... page S-56
7. Scuff plate  
Removal / Installation ..... page S-56
8. Quarter trim  
Removal / Installation ..... page S-56
9. Opener bezel
10. Opener lever
11. Stopper bracket
12. Opener cable

FUEL-FILLER LID AND OPENER

COMPONENTS

Removal / Installation

1. Remove in the order shown in the figure.
2. Install in the reverse order of removal.



N·m (kgf·m, ft·lbf)

37U0SX-613

**Filler lid**

1. Filler lid
2. Stopper bracket
3. Filler lid opener

**Filler lid opener, Opener lever, Opener cable**

4. Trunk end trim  
Removal / Installation ..... page S-56
5. Suspension tower cover
6. Suspension rear strut bar

7. Trunk side trim  
Removal / Installation ..... page S-56
8. Scuff plate  
Removal / Installation ..... page S-56
9. Quarter trim  
Removal / Installation ..... page S-56
10. Opener bezel
11. Opener lever
12. Opener cable



# S

## FRONT BUMPER

### FRONT BUMPER

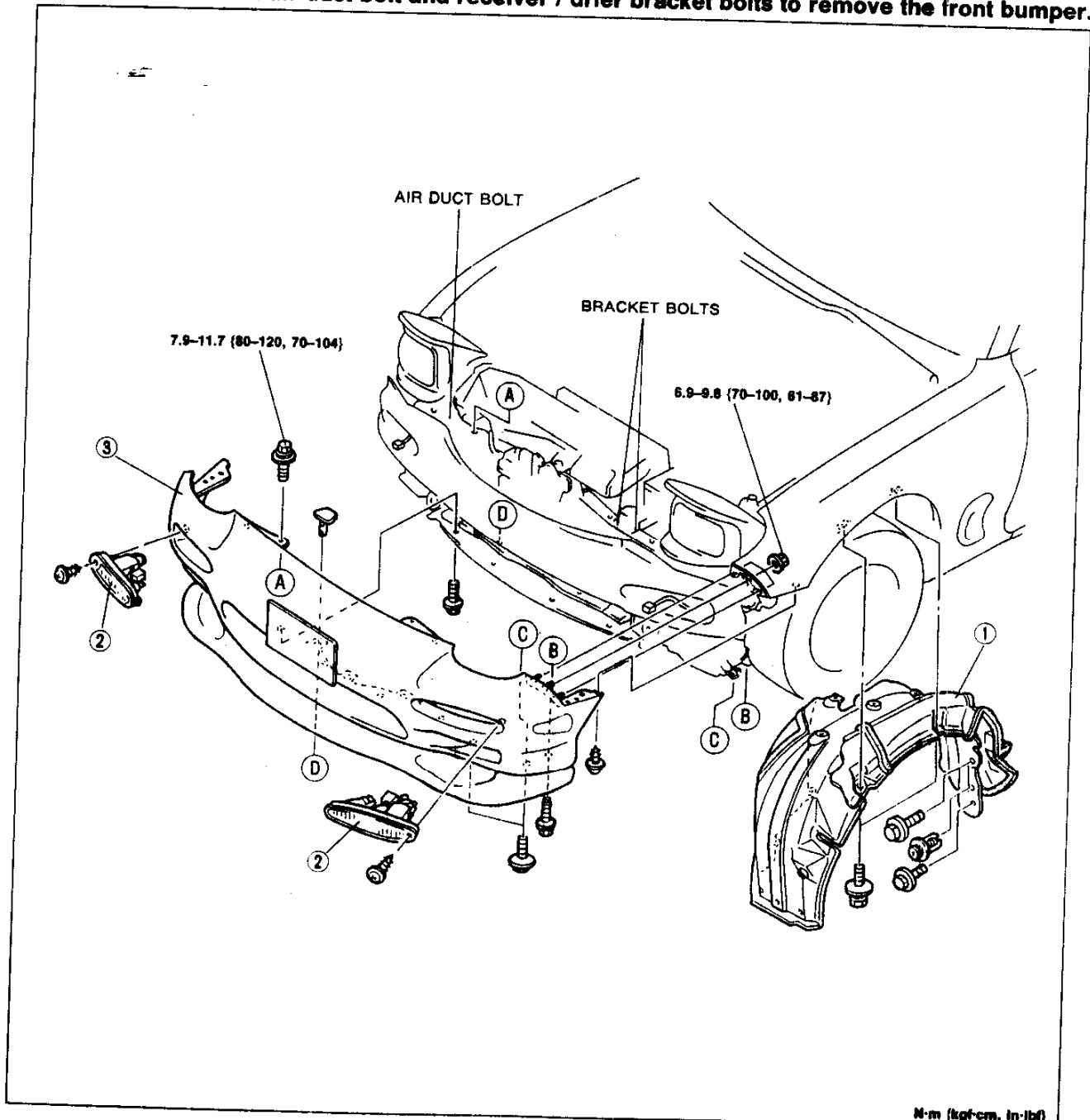
#### COMPONENTS

#### Removal / Installation

1. Disconnect the negative battery cable.
2. Remove in the order shown in the figure. (Refer to the 1993 RX-7 Body Electrical Troubleshooting Manual, Section E, when removing the front combination light.)
3. Install in the reverse order of removal.

#### Note

- Remove the left air duct bolt and receiver / drier bracket bolts to remove the front bumper.



N·m (kgf·cm, in·lbf)

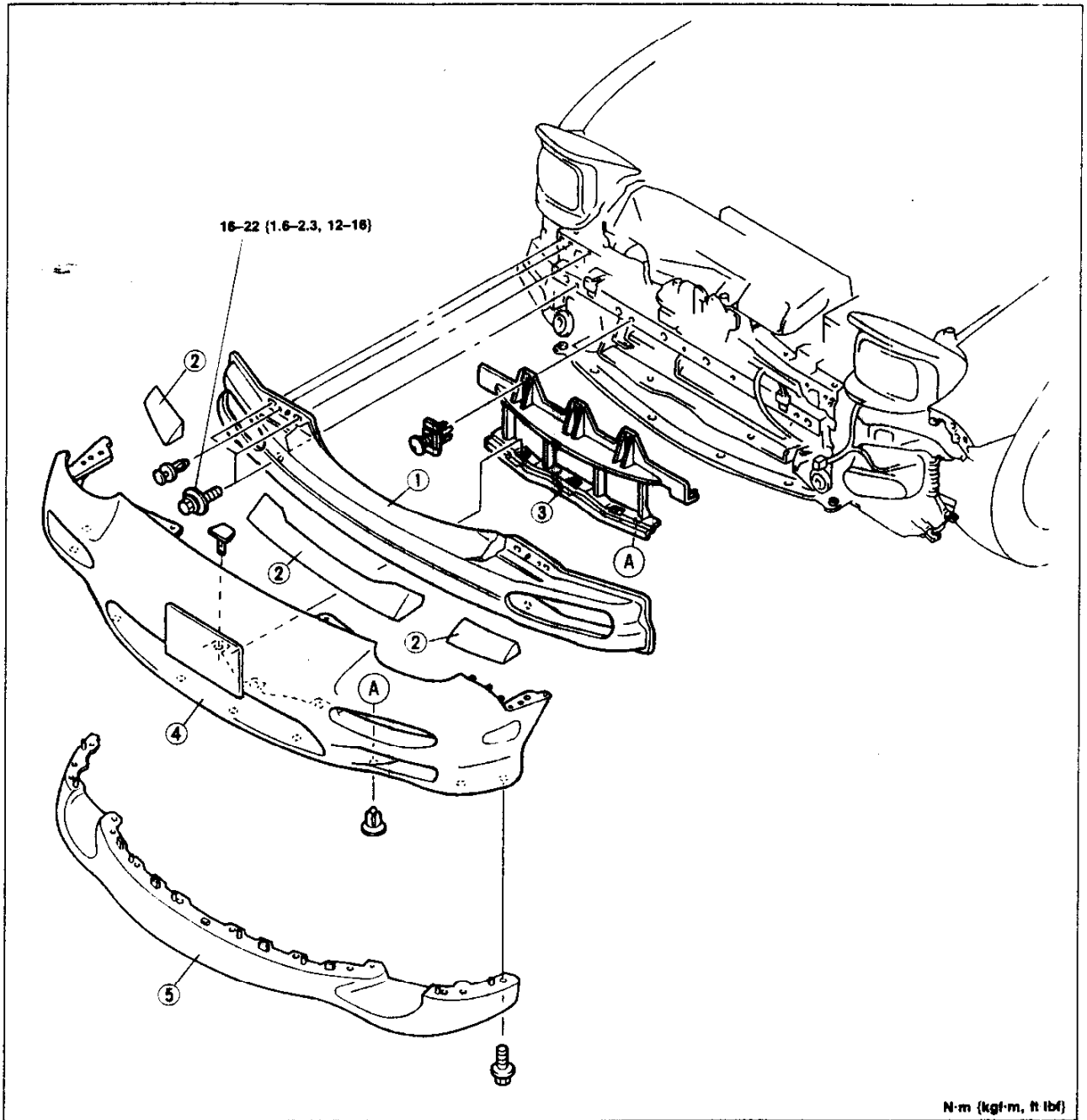
37U0SX-814

1. Mud guard
2. Front combination light

3. Front bumper
- Disassembly / Assembly ..... page S-17

## Disassembly / Assembly

1. Disassemble in the order shown in the figure.
2. Assemble in the reverse order of disassembly.



1. Front bumper reinforcement
2. Support foam
3. Air guide

4. Front bumper fascia
5. Front air dam

N-m (kgf-m, ft lbf)

37U05X-616

### REAR BUMPER

#### PREPARATION

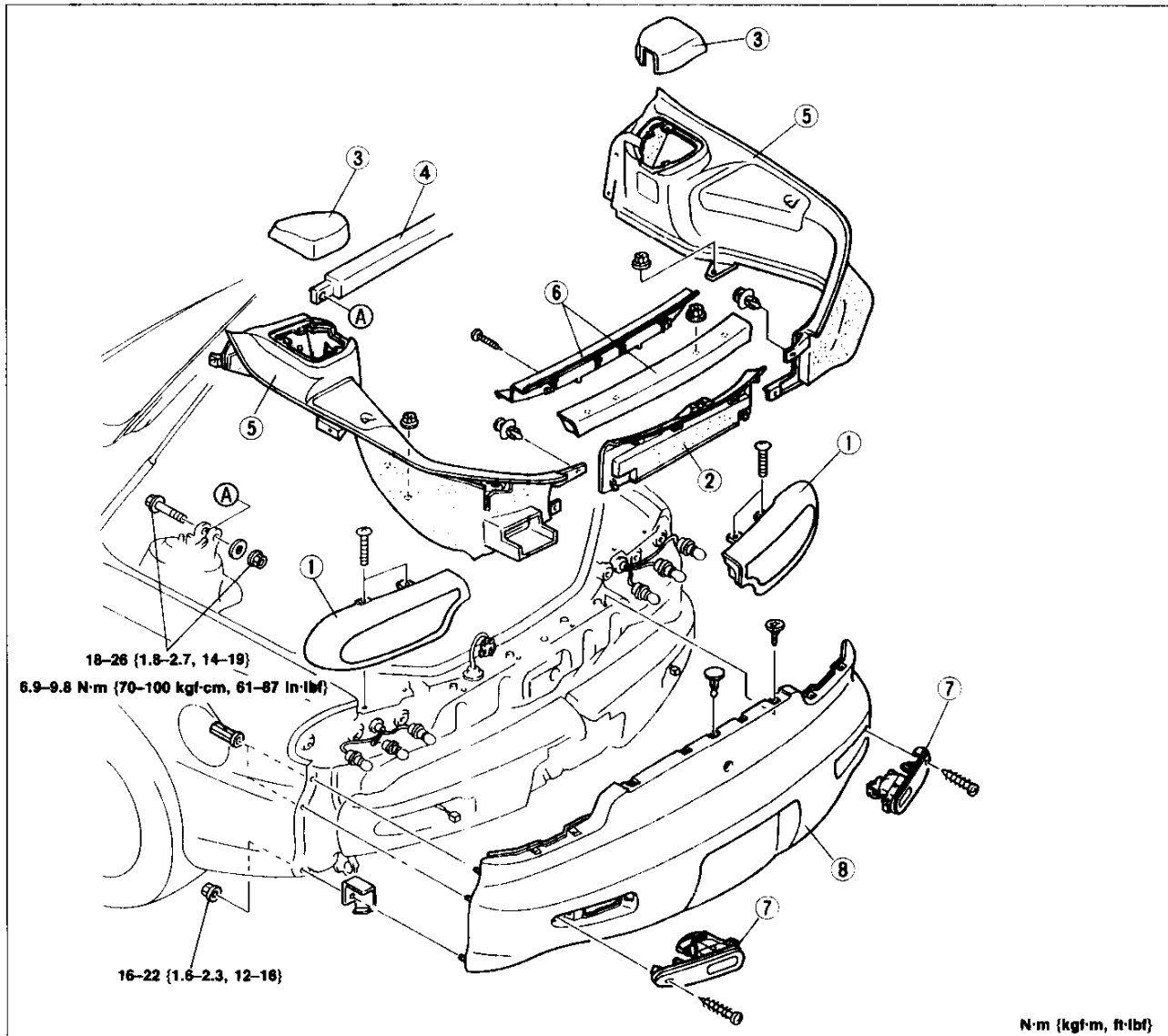
TORX tool (T30)	For installation / removal of rear bumper
-----------------	---

37U0SX-689

#### COMPONENTS

##### Removal / Installation

1. Disconnect the negative battery cable.
2. Remove in the order shown in the figure. (Refer to the 1993 RX-7 Body Electrical Troubleshooting Manual, Section E, when removing the rear combination light, high-mount stoplight, and back-up light.)
3. Install in the reverse order of removal.



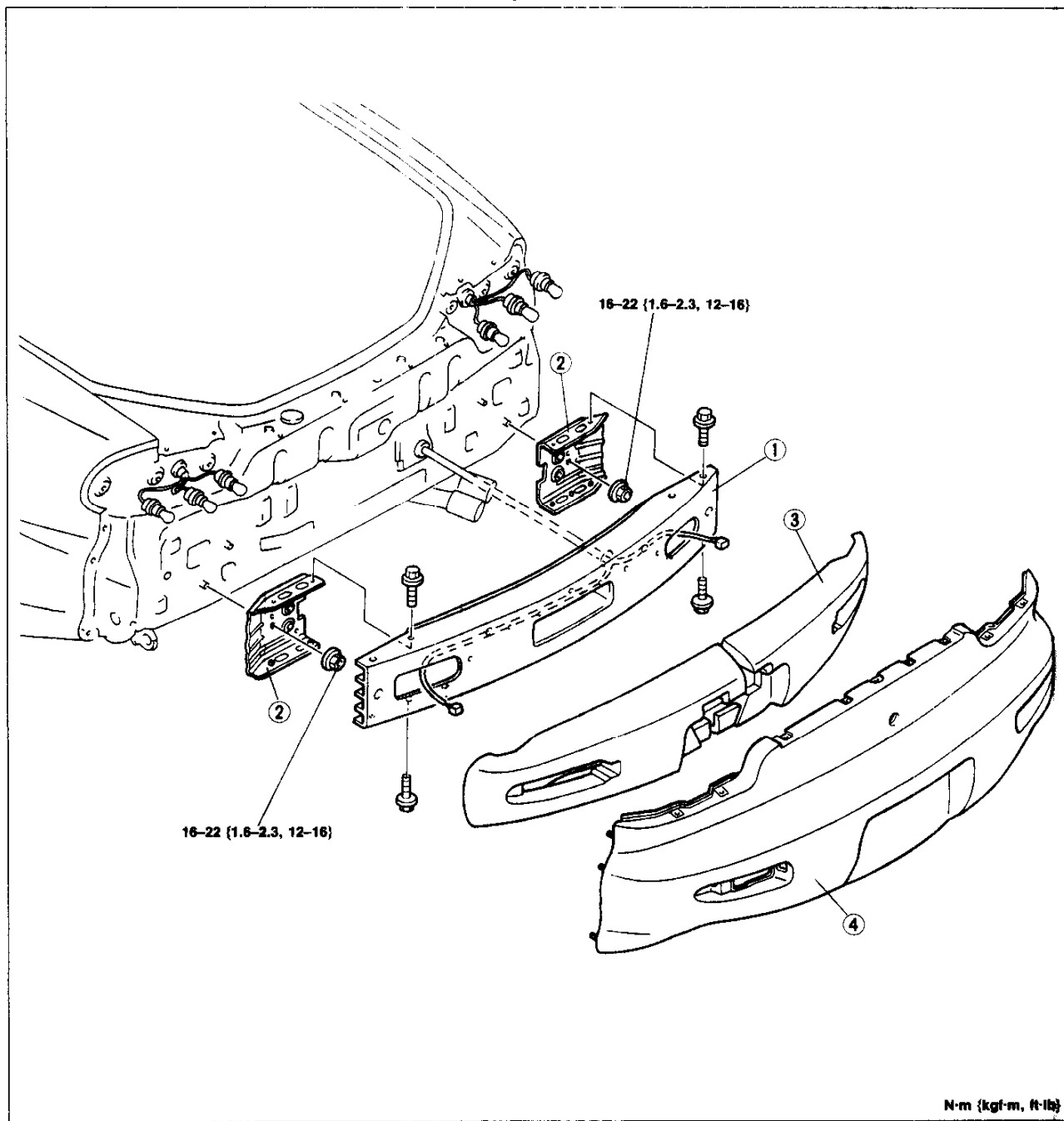
37U0SX-617

- |  |  |
|--|--|
| 1. Rear combination light              | 5. Trunk side trim                     |
| 2. Trunk end trim                      | Removal / Installation ..... page S-56 |
| Removal / Installation ..... page S-56 | 6. High-mount stoplight                |
| 3. Suspension tower bar                | 7. Back-up light                       |
| 4. Suspension rear strut bar           | 8. Rear bumper                         |
|  | Disassembly / Assembly ..... page S-19 |



## Disassembly / Assembly

1. Disassemble in the order shown in the figure.
2. Assemble in the reverse order of disassembly.



N-m (kgf-m, ft-lb)

1PEOSX-068

1. Rear bumper reinforcement
2. Rear bumper bracket

3. Energy-absorbing foam
4. Rear bumper fascia

# S

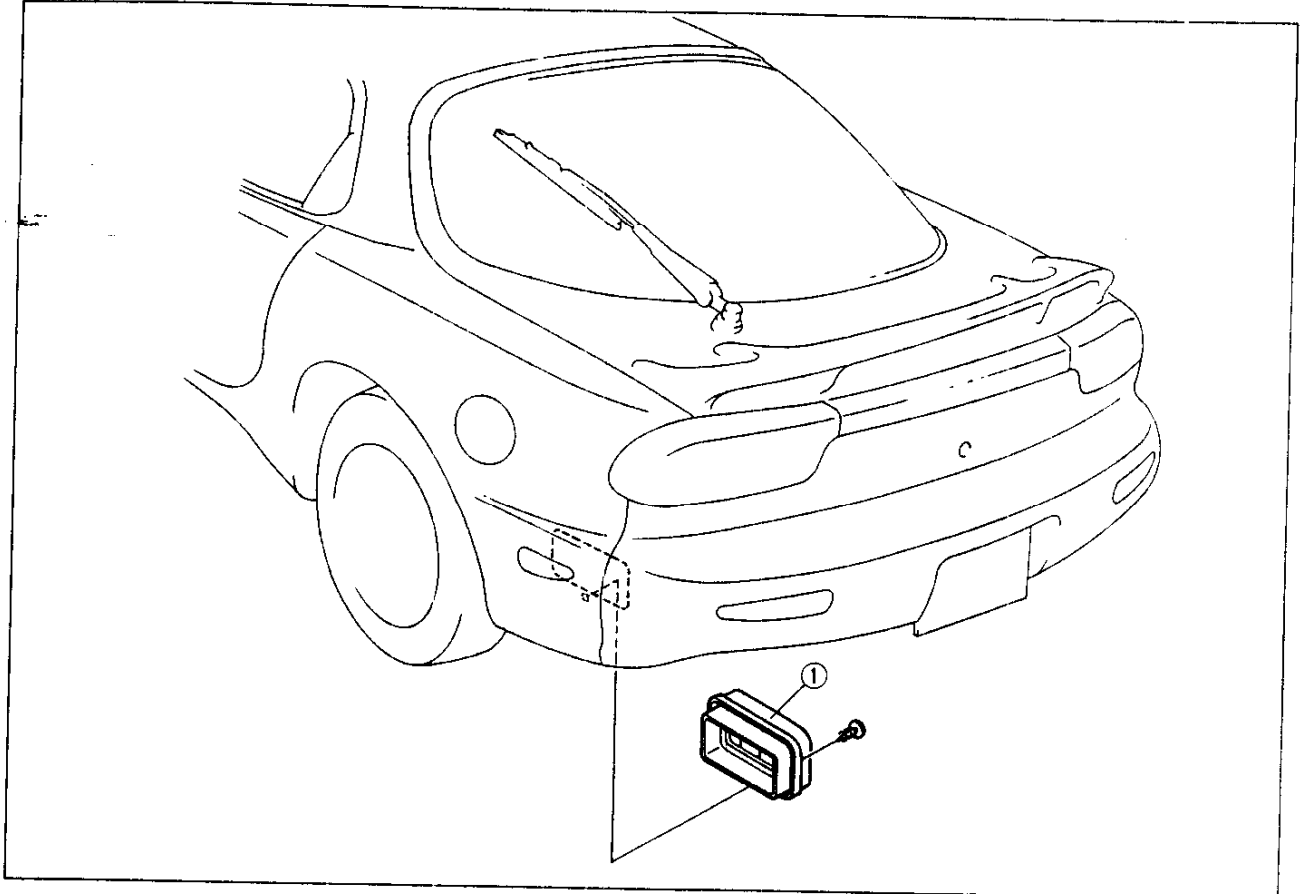
## EXTRACTOR CHAMBER

### EXTRACTOR CHAMBER

#### COMPONENTS

##### Removal / Installation

1. Remove in the order shown in the figure.
2. Install in the reverse order of removal.





3 UOSX 618

1. Extractor chamber

**MOLDING**

**PREPARATION  
SST**

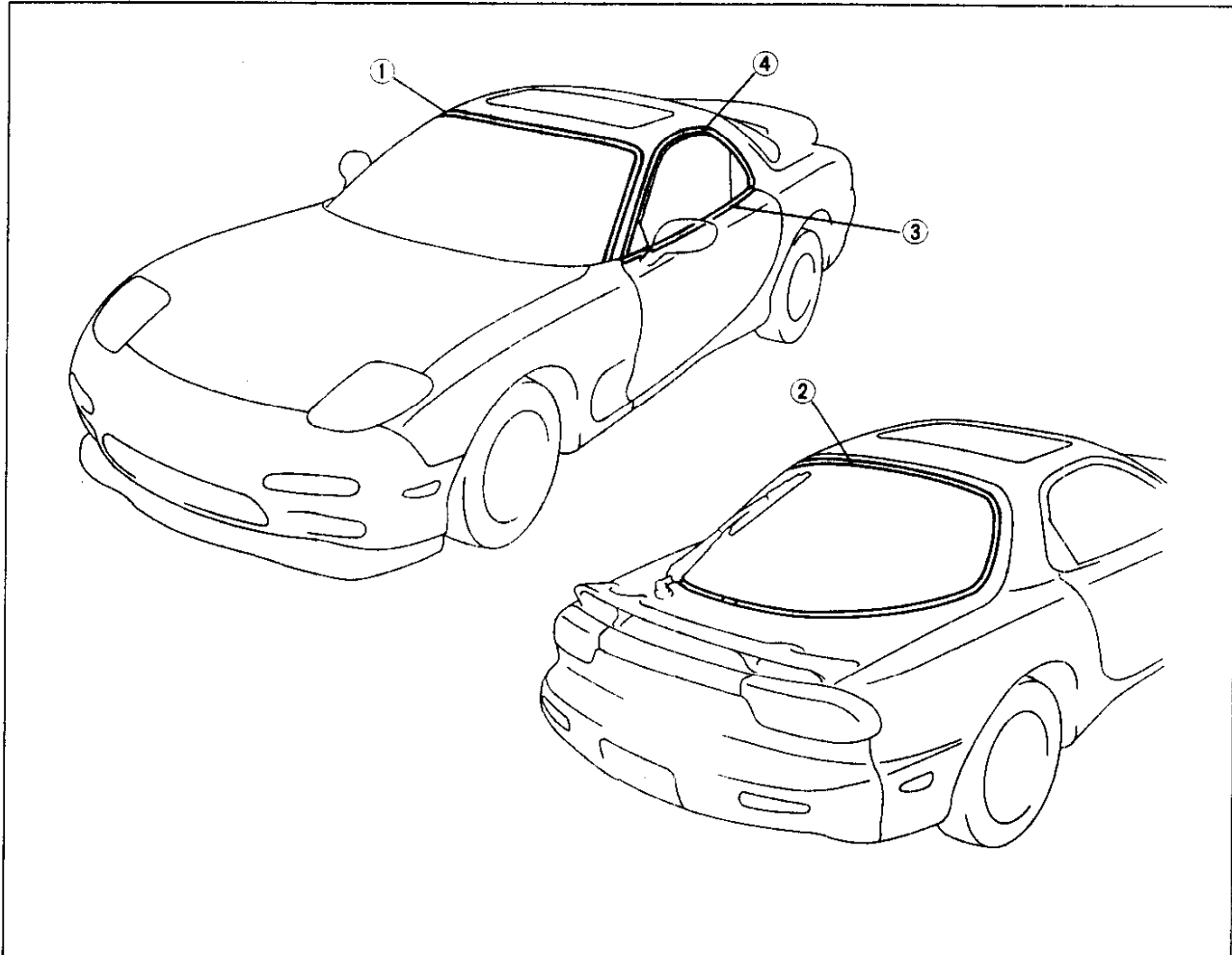
<p>49 0305 870A</p> <p>Tool set, window</p> 	<p>For removal / installation of molding</p>	<p>49 G050 1A0</p> <p>Remover, sealant</p> 	<p>For removal of sealant</p>
---	--	---	-------------------------------

1PE0SX-331

**COMPONENTS**

**Removal / Installation**

1. Remove in the order shown in the figure, referring to **Removal Note**.
2. Install in the reverse order of removal, referring to **Installation Note**.



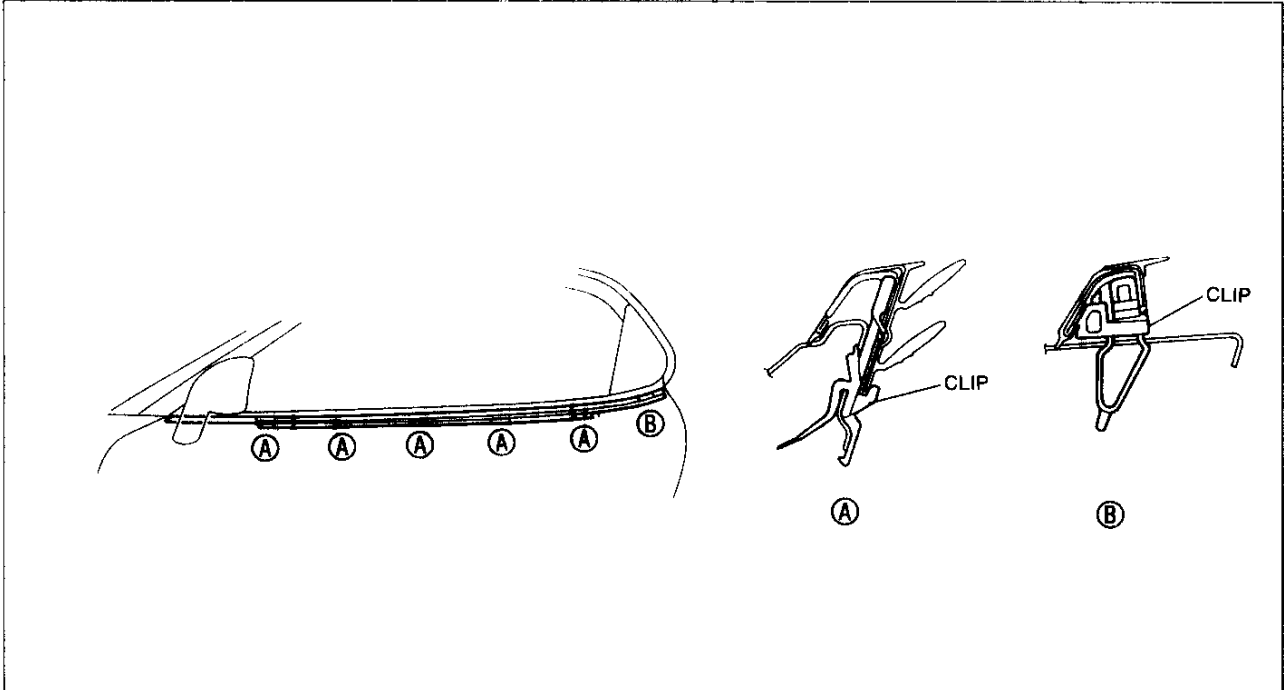
37U0SX-619

1. Windshield molding  
Removal Note ..... page S-23  
Installation Note ..... page S-23
2. Rear hatch molding  
Removal Note ..... page S-23  
Installation Note ..... page S-25

3. Beltline molding  
Removal Note ..... page S-22
4. Drip molding  
Removal Note ..... page S-22

### Removal Note Beltline molding

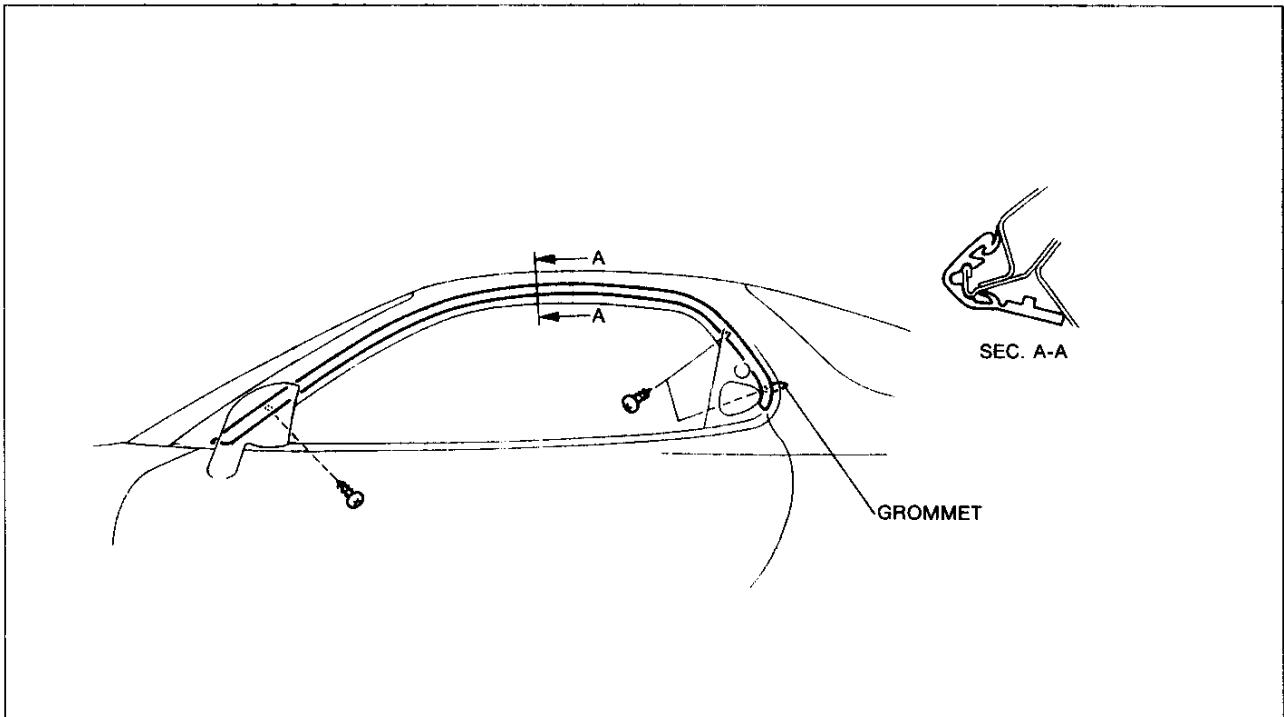
1. Lower the door glass fully.
2. Remove the power outside mirror. (Refer to page S-29.)
3. Pull the beltline molding up to disengage the clips from the body.



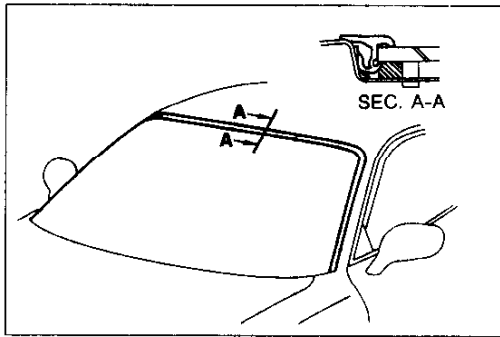
37U0SX-620

### Drip molding

1. Remove the drip molding mounting screws and grommet.
2. Pull the rear of the molding forward and remove the drip molding from the body.



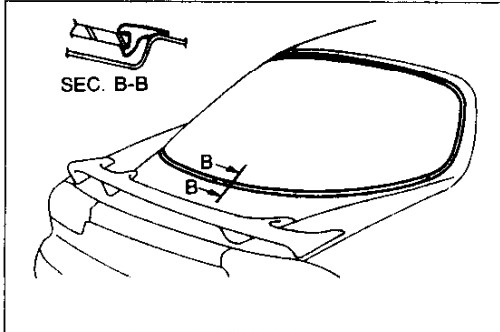
37U0SX-621



37U0SX-622

**Windshield molding**

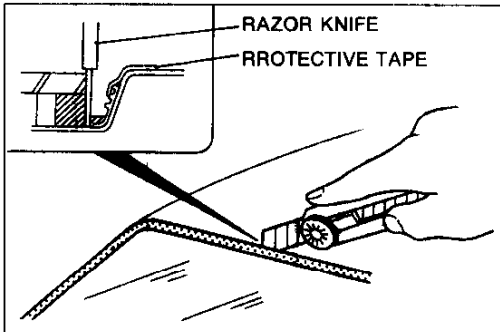
Lift the edge of the molding and cut the sealant to remove the molding.



37U0SX-623

**Rear hatch molding**

Lift the edge of the molding and cut the sealant to remove the molding.



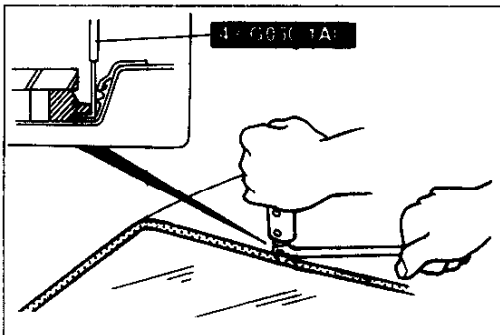
1PE0SX-072

**Installation Note  
Windshield molding**

1. Apply protective tape along the edge of the body to protect it from damage.
2. Cut the sealant by using a razor knife as shown.

**Caution**

- Do not damage the glass or body.

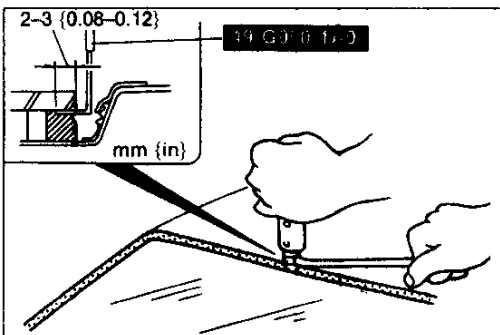


1PE0SX-073

3. Insert the blade of the **SST** into the sealant, and pull on the bar to cut the sealant near the body as shown.

**Caution**

- Do not damage the glass or body.



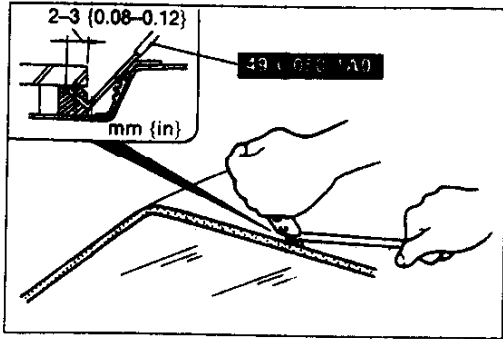
1PE0SX-073

4. Insert the blade of the **SST** into the sealant, and pull on the bar to cut the sealant under the glass as shown.

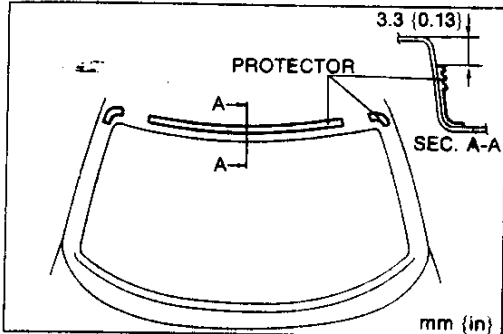
**Caution**

- Do not damage the glass.

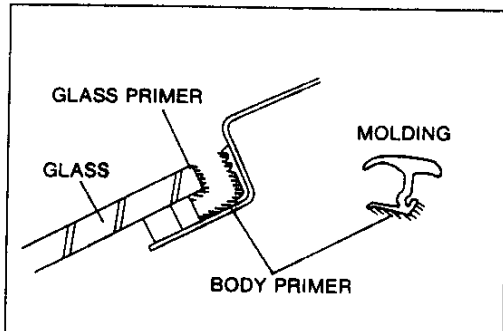




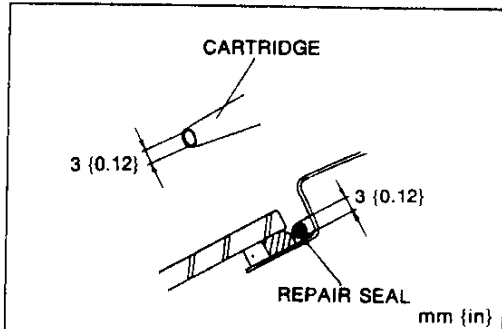
1PE0SX-075



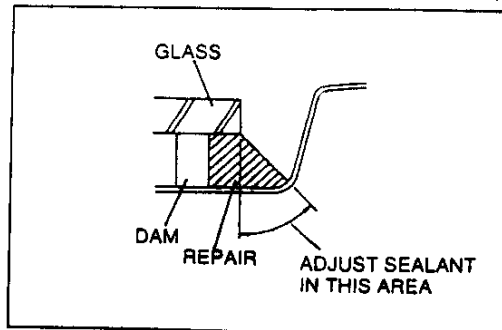
37U0SX-692



37U0SX-693



37U0SX-694



37U0SX-695

5. Cut the sealant at an angle as shown.

**Caution**

- Do not damage the glass or body.

6. Remove as much sealant as possible from between the body and the glass.

7. Carefully clean around the edge of the glass and the adhesion surface at the body.

8. If the protector is damaged bond a new protector onto the body, as shown.

9. Brush primer onto the bonding area of the glass, the body, and the new windshield molding, and allow it to dry for **approx. 30 minutes**.

**Caution**

- Keep the area free of dirt and grease. Do not touch the surface.
- If primer gets on the skin, remove it immediately.

**Note**

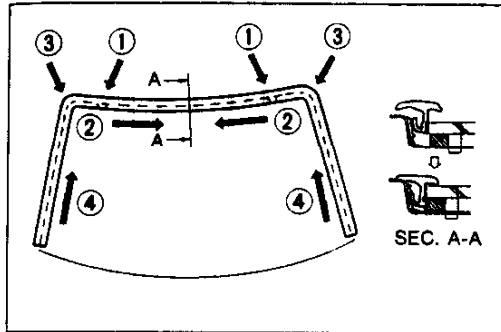
- Use only glass primer on the glass and body primer on the body and molding.

10. Apply a 3 mm {0.12 in} bead of repair sealant between the glass and the body.

**Note**

- With the repair sealant cartridge prepared as shown, use a piece of wire to break through the seal film, and then apply the sealant.

11. Reshape the repair sealant as shown.



37U0SX-696

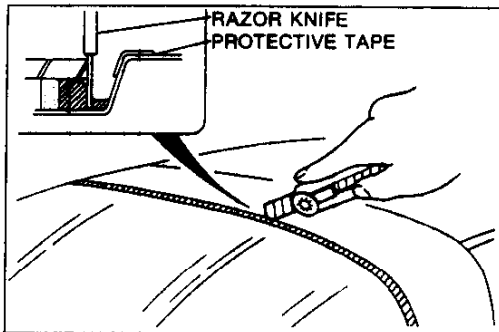
12. Install the molding.

- (1) Align the white marks on the molding with the marks on the glass.
- (2) Install the upper part of the molding.
- (3) Install the corner parts of the molding.
- (4) Install the side parts of the molding, starting from the bottom and working toward the top.

**Hardening time of repair sealant**

Temperature	Surface hardening time	Time required until car can be put into service
5°C (41°F)	Approx. 1.5 hr	12 hr
20°C (68°F)	Approx. 1 hr	4 hr
35°C (95°F)	Approx. 10 min	2 hr

13. Check for water leaks. If a leak is found, wipe the water off well and repeat the installation.



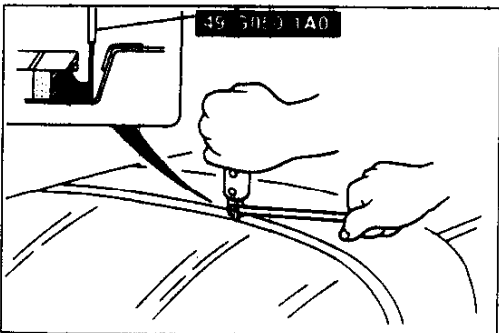
37U0SX-624

**Rear hatch molding**

1. Apply protective tape along the edge of the hatch to protect it from damage.
2. Cut the sealant by using a razor knife as shown.

**Caution**

- Do not damage the glass or hatch.

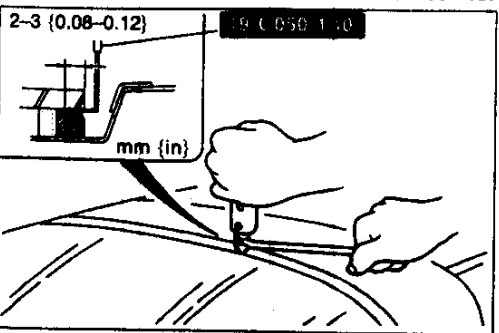


37U0SX-625

3. Insert the blade of the **SST** into the sealant and pull on the bar to cut the sealant near the hatch as shown.

**Caution**

- Do not damage the hatch.



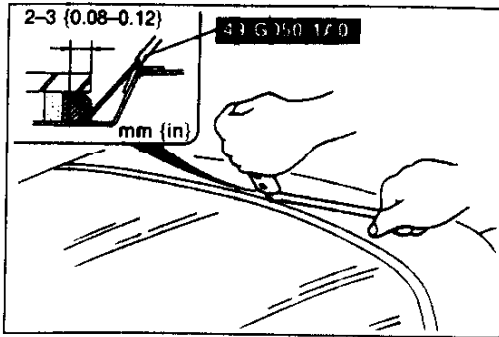
1PE0SX-085

4. Insert the blade of the **SST** into the sealant and pull on the bar to cut the sealant under the glass as shown.

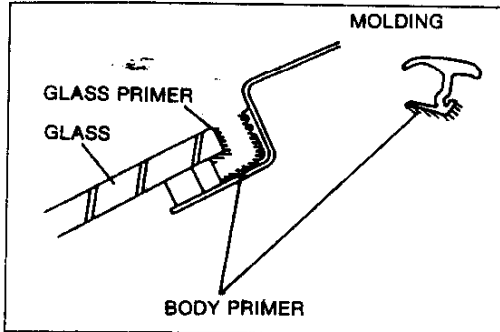
**Caution**

- Do not damage the glass.

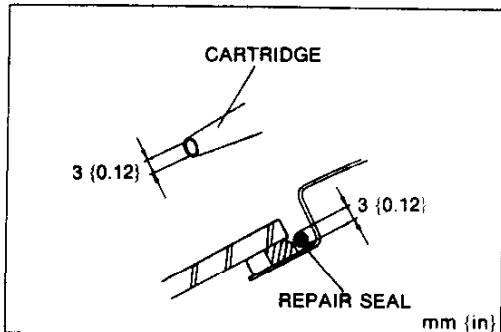
**MOLDING**



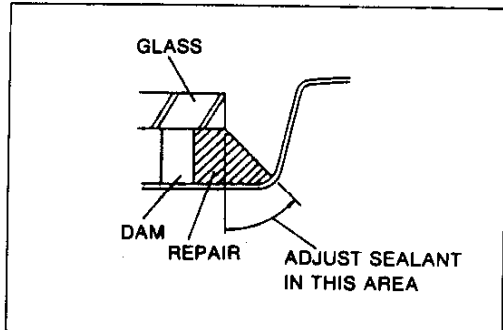
37U0SX-626



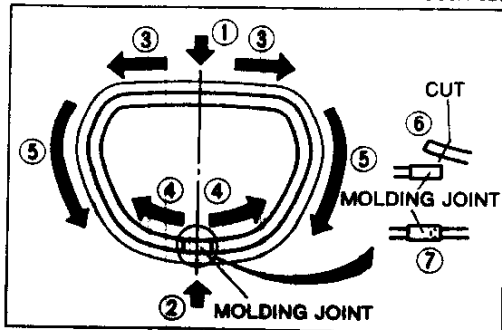
37U0SX-627



37U0SX-628



37U0SX-629



37U0SX-697

5. Insert the blade of the **SST** into the sealant and pull on the bar to cut the sealant at an angle as shown.

**Caution**

- Do not damage the glass or hatch.

6. Brush primer onto the bonding area of the glass, the rear hatch, and the new rear hatch molding, and allow it to dry for **approx. 30 minutes**.

**Caution**

- Keep the area free of dirt and grease. Do not touch the surface.
- If primer gets on the skin, remove it immediately.

**Note**

- Use only glass primer on the glass and body primer on the hatch and molding.

7. Apply a **3 mm {0.12 in}** bead of repair sealant between the glass and the rear hatch.

**Note**

- With the repair sealant cartridge prepared as shown, use a piece of wire to break through the seal film, and then apply the sealant.

8. Reshape the repair sealant as shown.

9. Install the molding.

- (1) Align the white mark on the molding with that on the upper part of the glass.
- (2) Align the mark on the lower part of the glass with the molding joint.
- (3) Install the upper part of the molding.
- (4) Install the lower part of the molding.
- (5) Install the side parts of the molding, starting from the top and working toward the bottom.
- (6) Cut the molding to fit securely into the molding joint.
- (7) Insert the molding into the molding joint.

**Caution**

- Install the molding while the repair sealant is soft.

**Hardening time of repair sealant**

Temperature	Surface hardening time	Time required until car can be put into service
5°C {41°F}	Approx. 1.5 hr	12 hr
20°C {68°F}	Approx. 1 hr	4 hr
35°C {95°F}	Approx. 10 min	2 hr

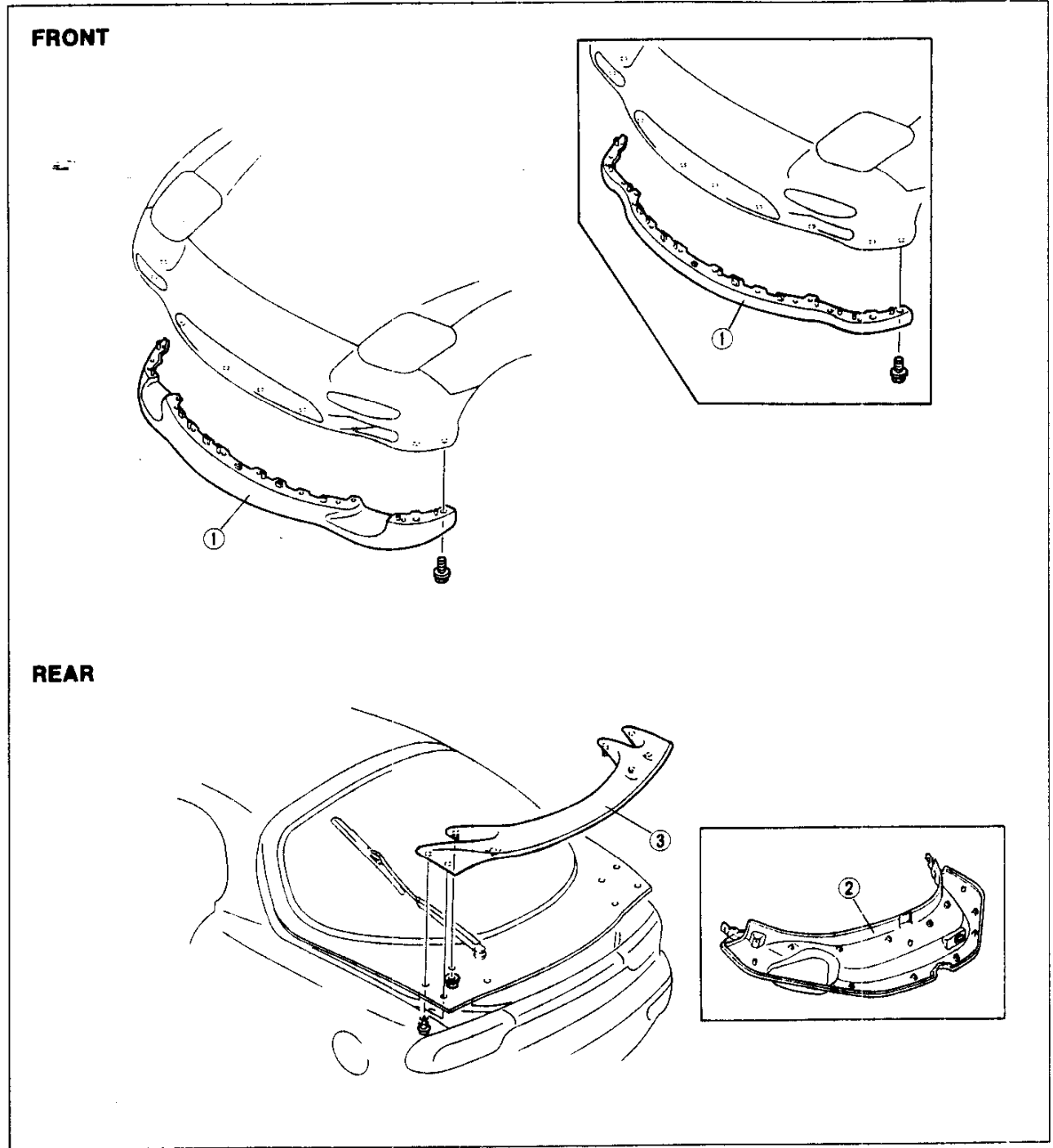
10. Check for water leaks. If a leak is found, wipe the water off well and repeat the installation.

**SPOILER**

**COMPONENTS**

**Removal / Installation**

1. Remove in the order shown in the figure.
2. Install in the reverse order of removal.



37U05X-630

**Front air dam**  
1. Front air dam

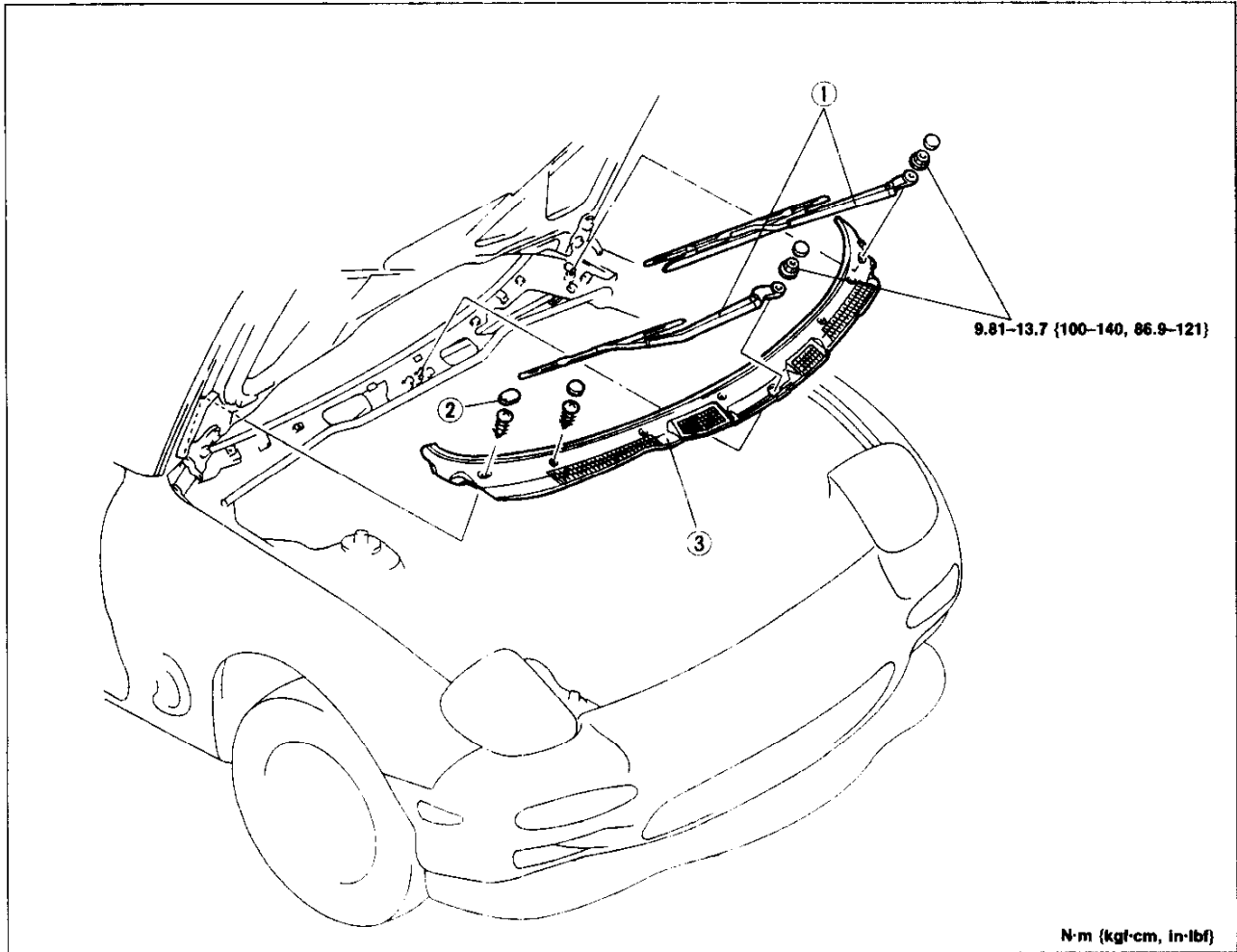
**Rear spoiler**  
2. Rear hatch lower trim  
Removal / Installation ..... page S-56  
3. Rear spoiler

### COWL GRILLE

#### COMPONENTS

#### Removal / Installation

1. Remove in the order shown in the figure.
2. Install in the reverse order of removal.



37U0SX-631

1. Windshield wiper arm and blade  
Adjustment ..... page S-34

2. Cowl cap  
3. Cowl grille

POWER OUTSIDE MIRROR

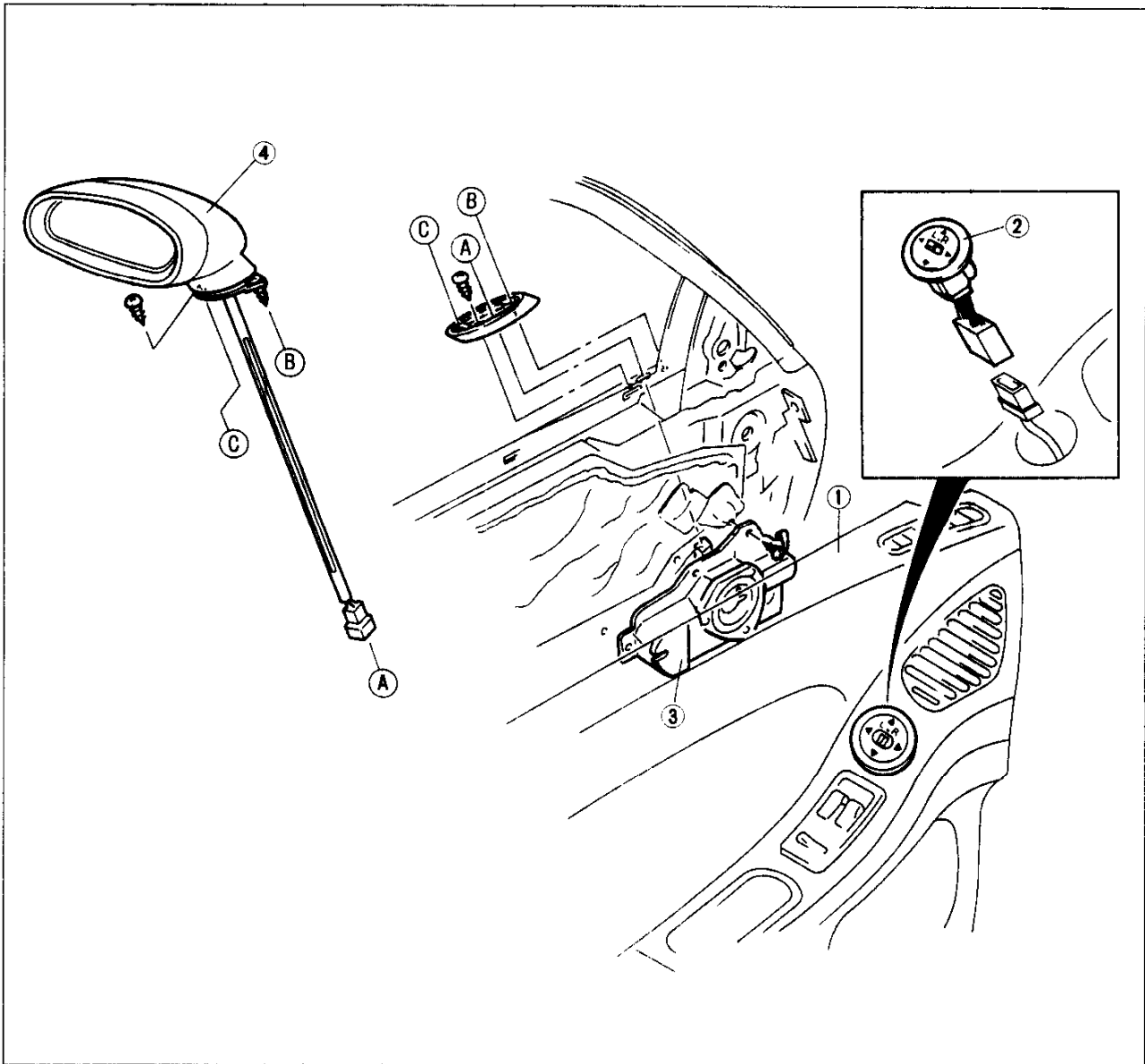
COMPONENTS

Removal / Installation

1. Disconnect the negative battery cable.
2. Remove in the order shown in the figure. (Refer to the 1993 RX-7 Body Electrical Troubleshooting Manual, Section J1, when removing the door speaker.)
3. Install in the reverse order of removal.

Note

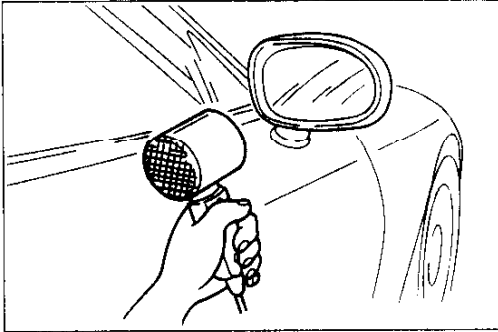
- When replacing the power outside mirror, be careful not to damage or break the plastic surrounding the harness so that it may be reused.



37U0SX-632

1. Door trim  
Removal / Installation ..... page S-56
2. Power outside mirror switch

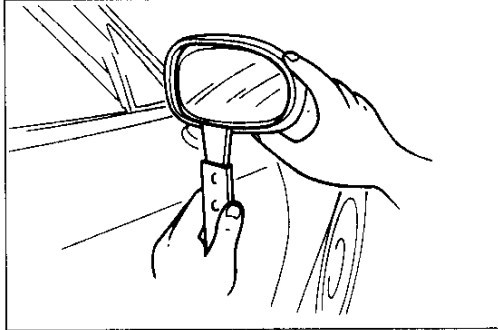
3. Door speaker
4. Power outside mirror  
Replacement of mirror glass  
..... page S-30



1PE0SX-118

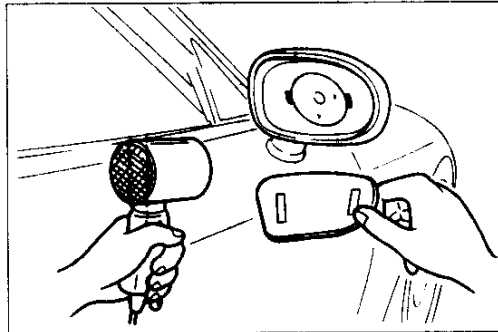
**Replacement of Mirror Glass**

1. Warm the frame and the mirror glass by using a hot air blower.



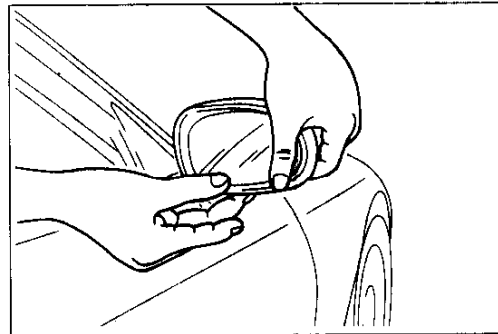
1PE0SX-119

2. Insert a scraper between the mirror glass and the frame, and pry the glass loose.
3. Remove the remaining adhesive.



1PE0SX-120

4. Warm the adhesive surface of the frame and the mirror by using a hot air blower.

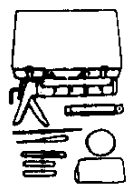


1PE0SX-121

5. Install the glass on the frame and gently press on the glass to secure it.

REARVIEW MIRROR

PREPARATION  
SST

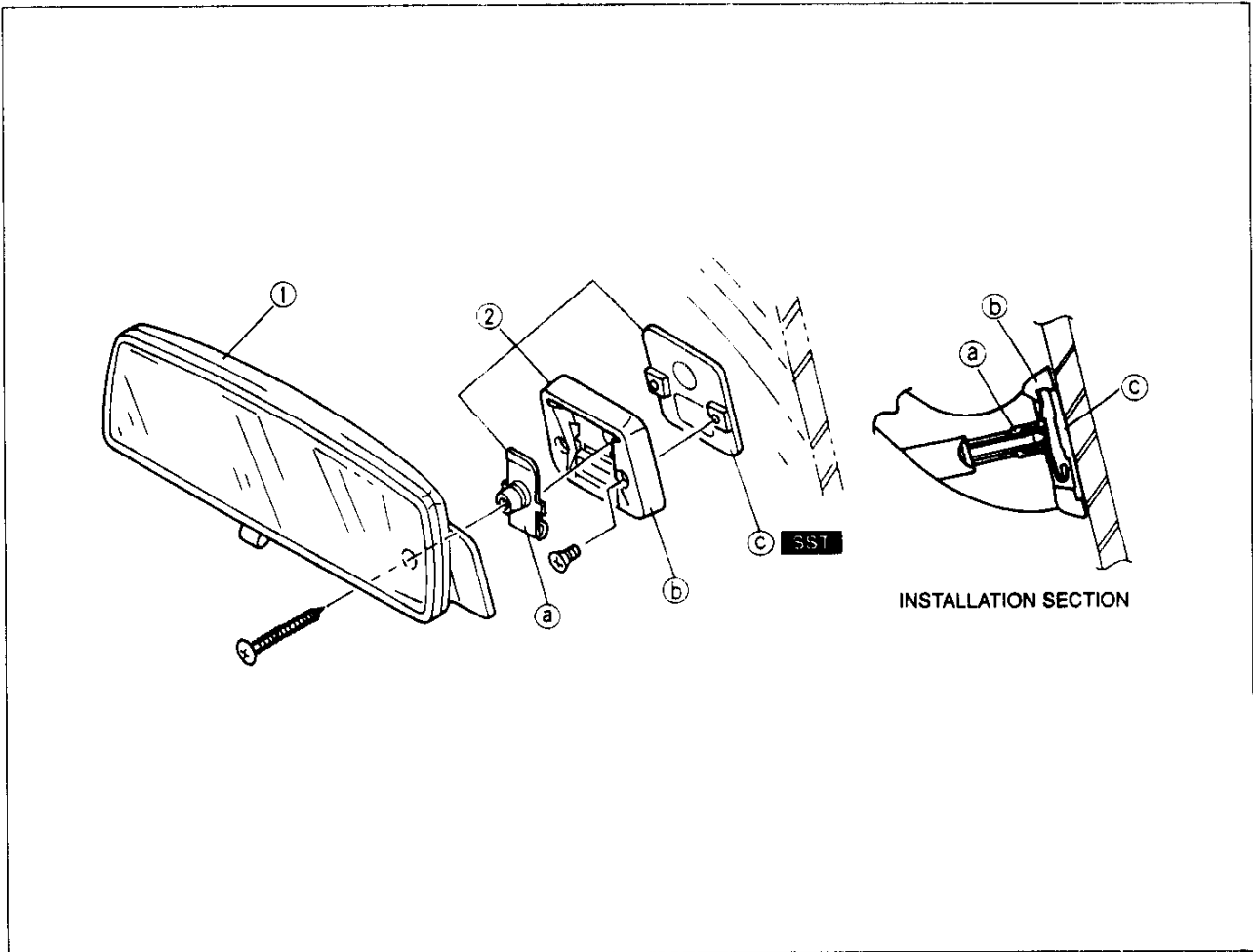
<p>49 0305 870A</p> <p>Tool set, window</p>		<p>For removal / installation of mirror base</p>
---	---	--

19G0SX-197

COMPONENTS

Removal / Installation

1. Remove in order shown in the figure, referring to **Removal Note**.
2. Install in the reverse order of removal, referring to **Installation Note**.



37U0SX-633

1. Rearview mirror

2. Mirror base assembly

a. Holder

Installation Note ..... page S-32

b. Cover

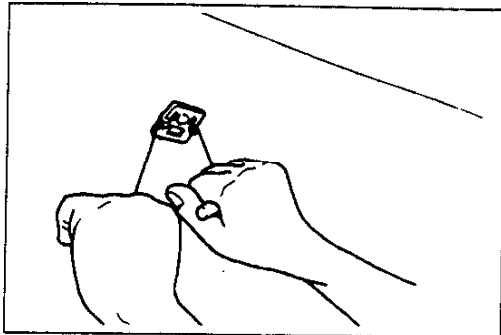
c. Base

Removal Note ..... page S-32

Installation Note ..... page S-32



REARVIEW MIRROR



19G0SX-199

**Removal Note**  
**Base**

1. Wind each end of the wire around a bar.
2. Saw through the sealant and remove the base.

**Caution**

- Use a long sawing action to spread the work over the whole length of the wire to prevent it from breaking.

**Installation Note**  
**Base**

1. Cut away all of the original sealant by using a razor knife.

**Caution**

- Do not damage the glass.
2. Clean and degrease the glass.
  3. Apply primer to the glass and the base and allow it to dry for **approx. 30 minutes**.

**Caution**

- Keep the area free of dirt and grease. Do not touch the surface.

**Note**

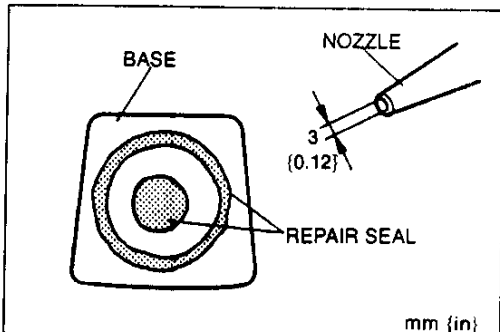
- Use only glass primer on the glass and body primer on the base.
4. Apply a 3 mm {0.12 in} bead of repair sealant on the base.
  5. Center the base in the ceramic coating and press it onto the glass.

**Caution**

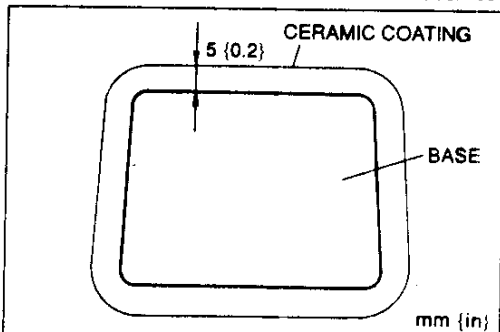
- Remove the excessive repair sealant with ethyl alcohol.

**Hardening time of repair sealant**

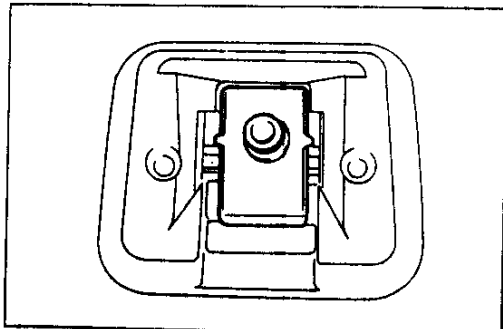
Temperature	Surface hardening time	Time required until car can be put into service
5°C {41°F}	Approx. 1.5 hr	12 hr
20°C {68°F}	Approx. 1 hr	4 hr
35°C {95°F}	Approx. 10 min	2 hr



mm {in}  
37U0SX-634



mm {in}  
19G0SX-201



37U0SX-202

**Holder**

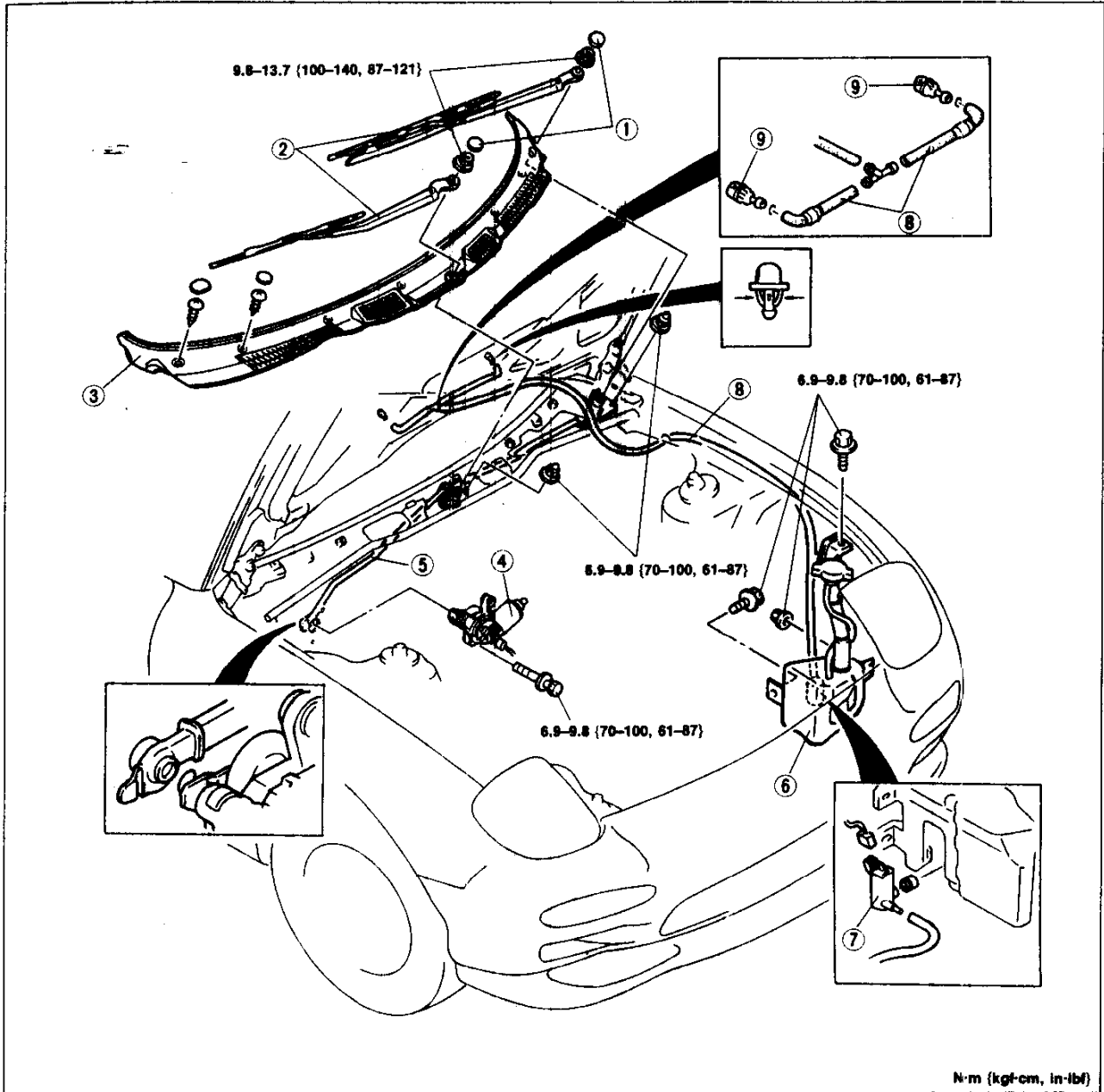
Install the holder on the cover as shown in the figure.

WINDSHIELD WIPER AND WASHER

COMPONENTS

Removal / Installation

1. Disconnect the negative battery cable.
2. Remove in the order shown in the figure.
3. Install in the reverse order of removal.



N·m (kgf·cm, in·lbf)

37U0SX-635

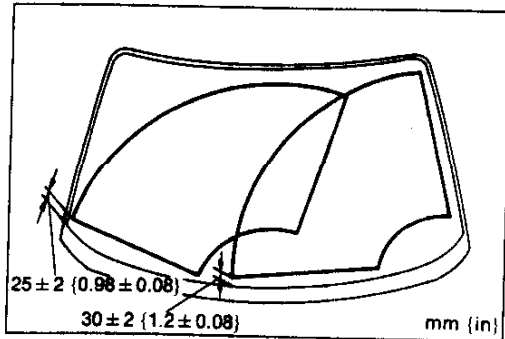
**Windshield wiper**

- 1. Wiper arm cover
- 2. Wiper arm and blade  
Adjustment ..... page S-34
- 3. Cowl grille
- 4. Wiper motor  
Disassembly / Assembly ..... page S-35
- 5. Wiper link

**Windshield washer**

- 6. Washer tank
- 7. Washer motor
- 8. Washer pipe
- 9. Washer nozzle  
Adjustment ..... page S-34

**WINDSHIELD WIPER AND WASHER**



37UOSX-636

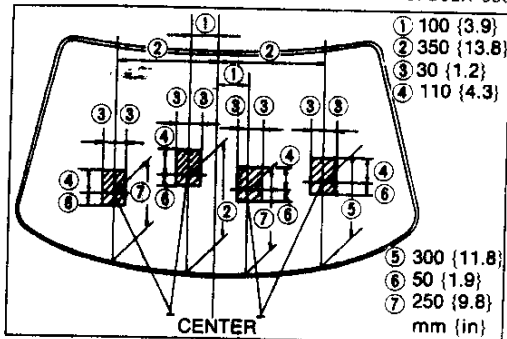
**Adjustment**

**Windshield wiper arm and blade**

1. Operate the wipers once to set them in the park position.
2. Set the height of the wiper arms as shown.

**Tightening torque:**

**9.8–13.7 N·m {100–140 kgf-cm, 87–121 in-lbf}**



1PEOSX-152

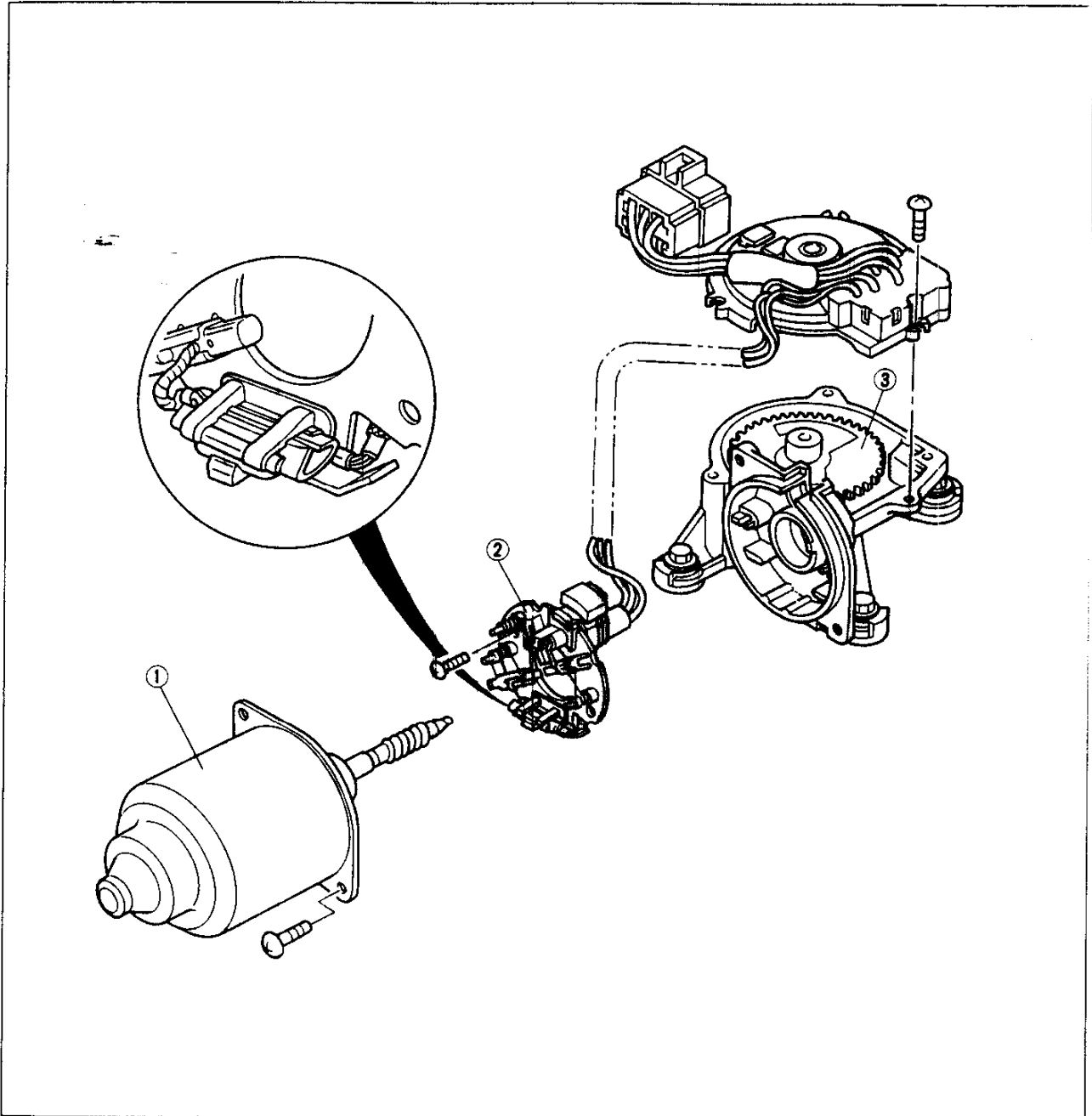
**Windshield washer nozzle**

Insert a needle or similar object into the nozzle hole and move the nozzle to adjust the spray direction.

## WINDSHIELD WIPER MOTOR

### Disassembly / Assembly

1. Disassemble in the order shown in the figure.
2. Assemble in the reverse order of disassembly.



37U0SX-637

1. Wiper motor
2. Brush plate holder

3. Motor gear shaft

REAR WIPER AND WASHER

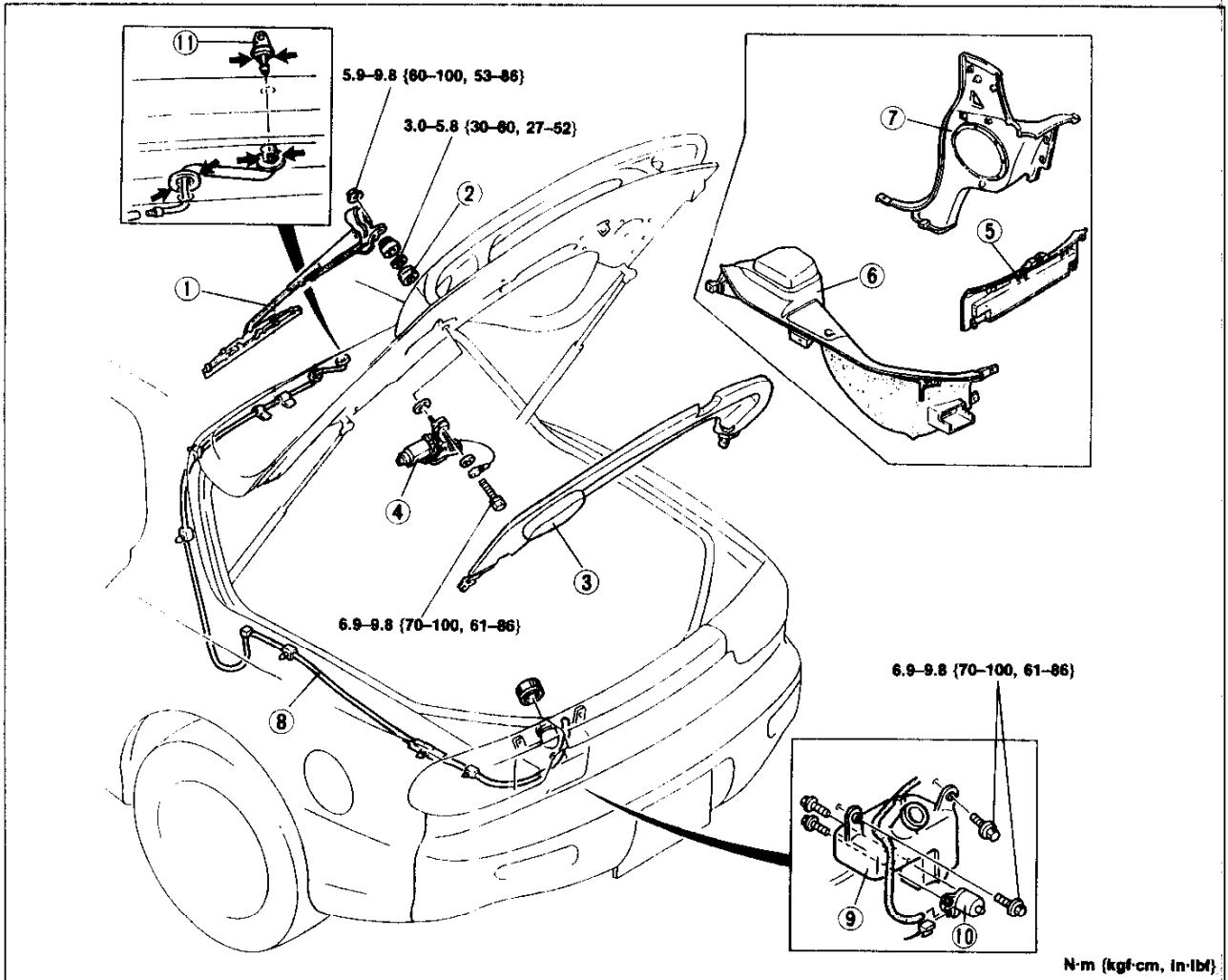
COMPONENT

Removal / Installation

1. Disconnect the negative battery cable.
2. Remove in the order shown in the figure.
3. Install in the reverse order of removal.

Note

- Remove the rear hatch upper trim to remove the rear washer pipe. (Refer to page S-56.)



N·m (kgf·cm, in·lbf)

37U0SX-638

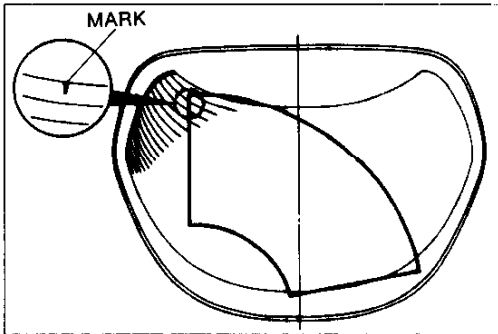
**Rear wiper**

- 1. Wiper arm and blade  
Adjustment ..... page S-37
- 2. Outer bushing
- 3. Rear hatch lower trim  
Removal / Installation .....page S-56
- 4. Wiper motor

**Rear washer**

- 5. Trunk end trim  
Removal / Installation ..... page S-56

- 6. Trunk side trim  
Removal / Installation ..... page S-56
- 7. Quarter trim  
Removal / Installation ..... page S-56
- 8. Washer pipe
- 9. Washer tank
- 10. Washer motor
- 11. Washer nozzle  
Adjustment ..... page S-37



37U0SX-639

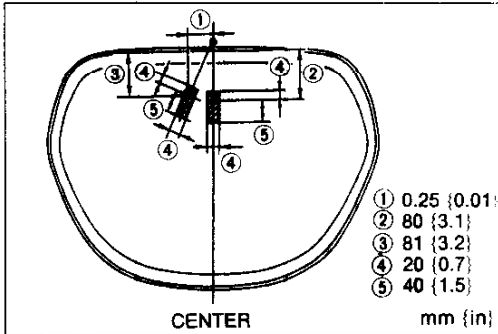
**Adjustment**

**Rear wiper arm and blade**

1. Operate the wiper once to set it in the park position.
2. Align the wiper arm with the mark on the glass as shown.

**Tightening torque:**

**5.9–9.8 N·m {60–100 kgf·cm, 53–86 in·lbf}**



1PE0SX-178

**Rear washer nozzle**

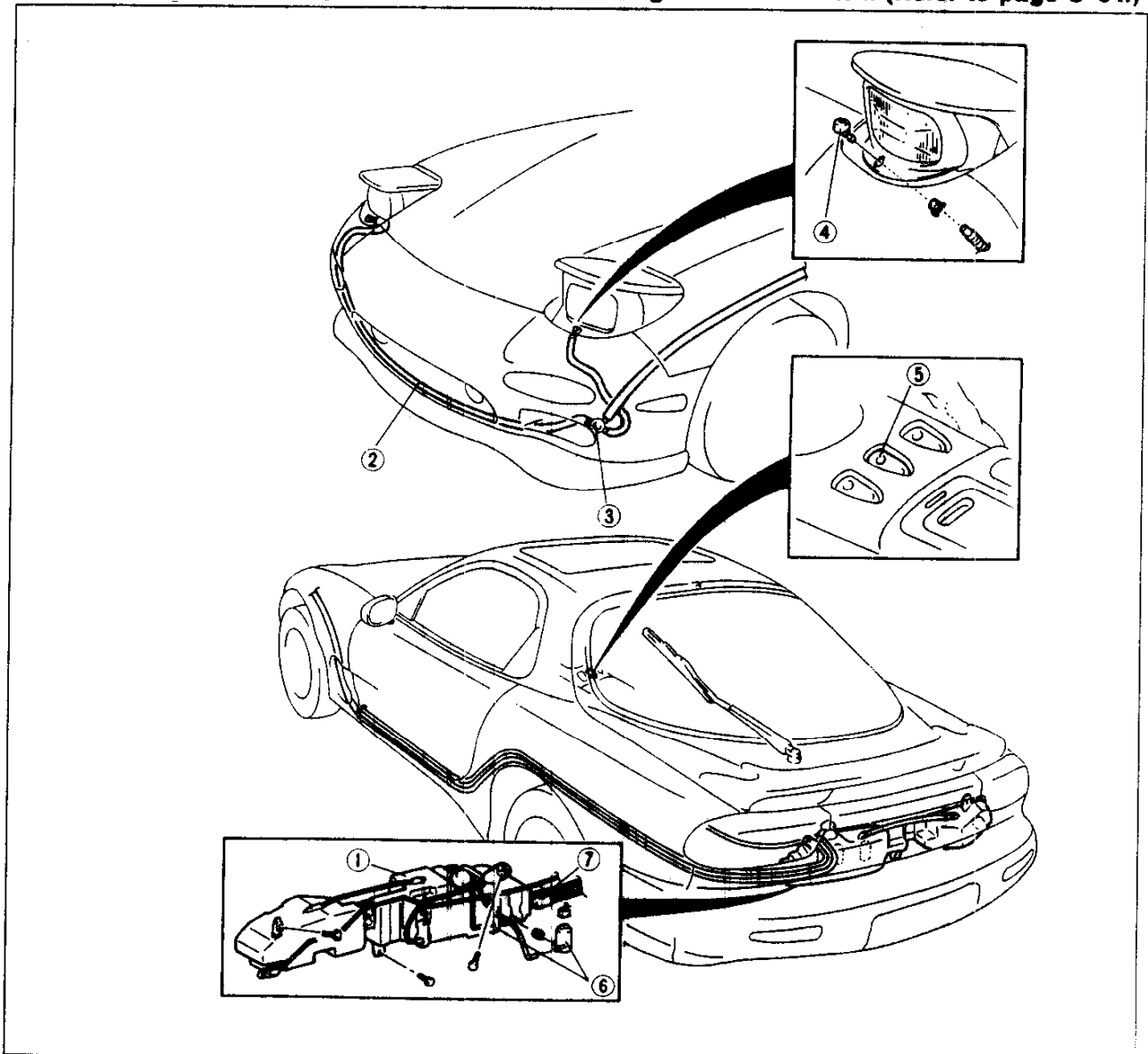
Insert a needle or similar object into the nozzle hole and move the nozzle to adjust the spray direction.

**HEADLIGHT CLEANER****COMPONENTS****Removal / Installation**

1. Disconnect the negative battery cable.
2. Remove in the order shown in the figure (Refer to the 1993 RX-7 Body Electrical Troubleshooting Manual, Section D3, when removing the headlight cleaner switch and headlight cleaner motor and relay.)
3. Install in the reverse order of removal.

**Note**

- Remove the front bumper to remove the pipe assembly, check valve, and cleaner nozzle. (Refer to page S-16.)
- Remove the floor mat to remove the cleaner pipe assembly. (Refer to page S-60.)
- Remove the console panel to remove the headlight cleaner switch. (Refer to page S-54.)



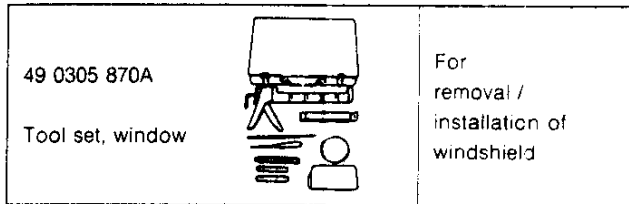
37U0SX-64C

1. Front washer and headlight cleaner washer tank assembly
2. Pipe assembly
3. Check valve

4. Cleaner nozzle
5. Headlight cleaner switch
6. Headlight cleaner motor
7. Headlight cleaner relay

WINDSHIELD

PREPARATION  
SST

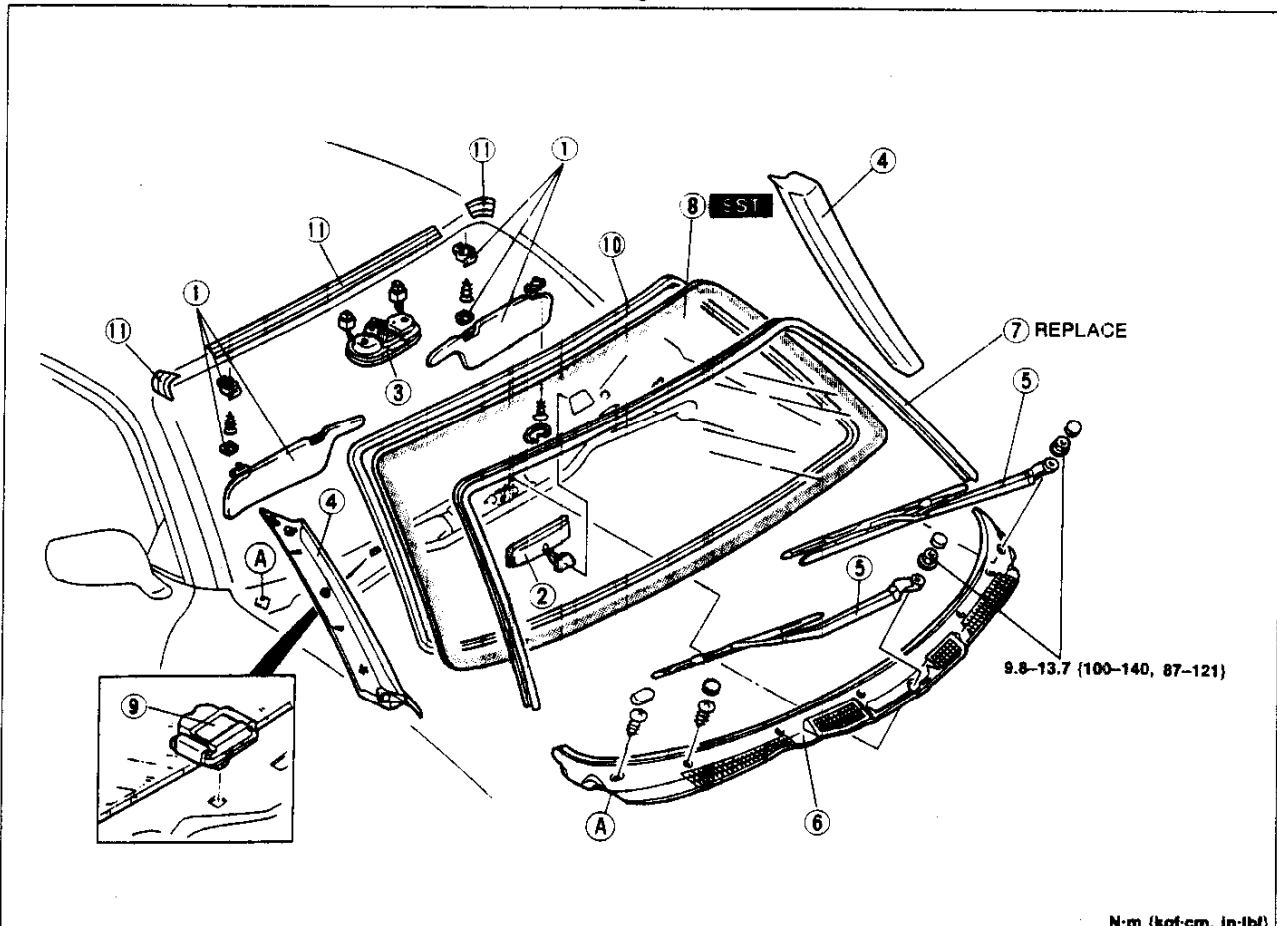


01E-SX-078

COMPONENTS

Removal / Installation

1. Disconnect the negative battery cable.
2. Remove in the order shown in the figure, referring to **Removal Note**.
3. Install in the reverse order of removal, referring to **Installation Note**.

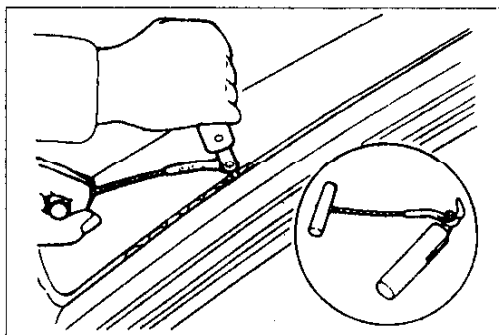


37U0SX-641

1. Sunvisor and adapter
2. Rearview mirror
3. Overhead console
4. A-pillar trim  
Removal / Installation ..... page S-56
5. Windshield wiper arm and blade  
Adjustment ..... page S-34
6. Cowl grille

7. Windshield molding  
Removal / Installation ..... page S-21
8. Windshield  
Removal Note ..... page S-40  
Installation Note ..... page S-40
9. Spacer
10. Dam
11. Protector



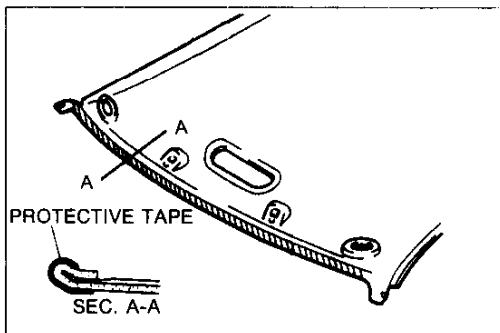


37U0SX 69

### Removal Note Windshield

#### If the glass will not be reused,

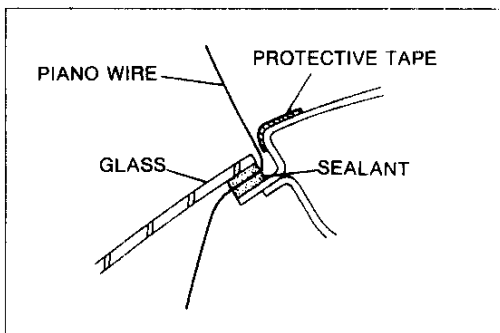
1. Use a tool like that shown in the figure and insert the blade into the sealant.
2. Pull through the sealant around the edge of the glass.
3. If the protector is damaged, remove it.
4. Remove the glass.



37U0SX 69

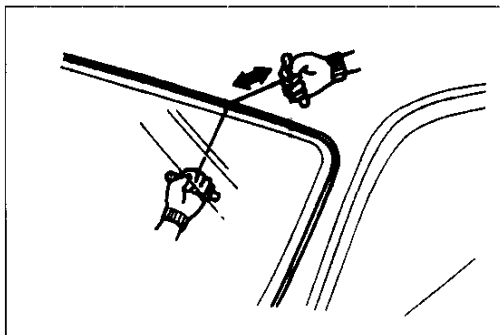
#### If the glass will be reused,

1. Apply protective tape along the front edge of the headliner to protect it from damage.



37U0SX-69

2. Apply protective tape along the edge of the body to protect it from damage.
3. Make a hole through the sealant from the inside of the vehicle by using an awl.
4. Pass piano wire through the hole.

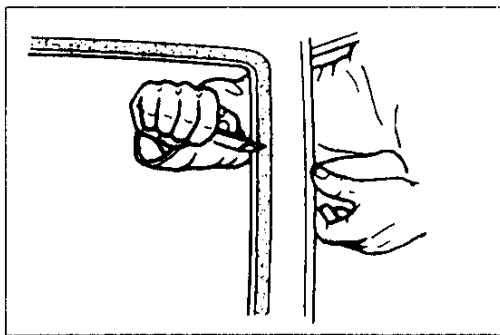


37U0SX 69

5. Wind each end of the wire around a bar.
6. Working with another person, saw through the sealant around the edge of the glass. Remove the glass.

### Caution

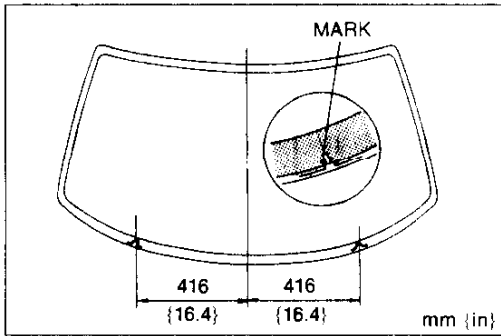
- Use a long sawing action to spread the work over the whole length of wire to prevent it from breaking.
- Make sure the wire does not rub on the body or the dashboard.



37U0SX 64

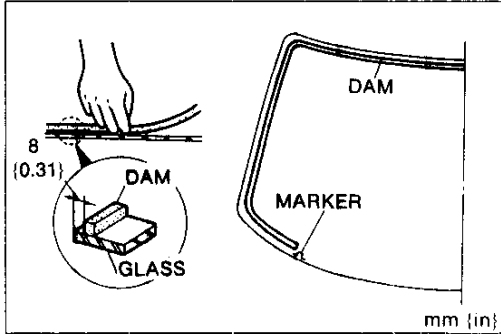
### Installation Note Windshield

1. Cut away the old sealant by using a razor knife so that **approx. 2 mm {0.08 in}** of sealant remains around the circumference of the frame. If all the sealant has come off in any one place, apply some primer after degreasing, and allow it **30 minutes** to dry. Then apply new sealant to create a **2 mm {0.08 in}** layer.
2. Carefully clean an area **5 cm {1.97 in}** wide around the circumference of the glass and clean the bonding area on the body.



1PE0SX-198

3. Mark the outer edge of the glass with a marking pen to ensure proper reinstallation.

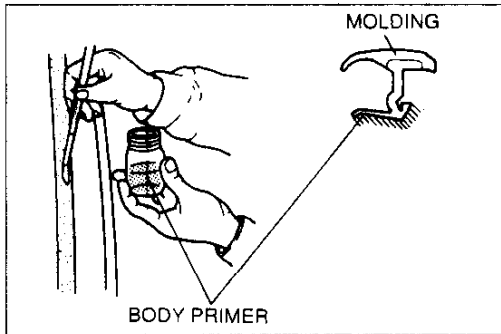


37U0SX-643

4. Bond a new dam along the top and sides **8 mm {0.31 in}** from the edge of the glass as shown.

**Caution**

- Bond the dam securely and allow it to dry.



1PE0SX-200

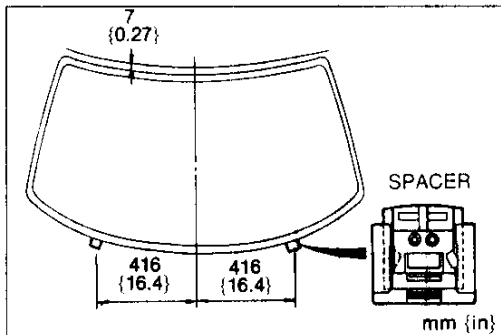
5. Brush primer onto the bonding area of the glass, new windshield molding, and body. Allow it to dry for **approx. 30 minutes**.

**Caution**

- Keep the area free of dirt and grease. Do not touch the surface.
- If primer gets on the skin, remove it immediately.

**Note**

- Use only glass primer on the glass and body primer on the body and molding.



37U0SX-698

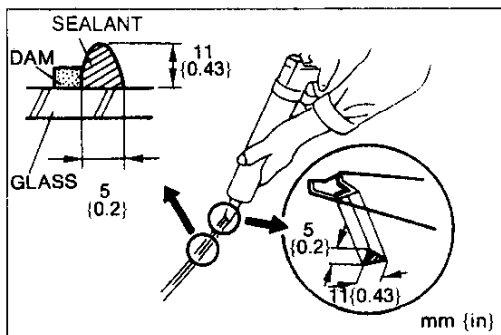
6. Install the spacers onto the body as shown.

**Caution**

- Replace damaged spacers.

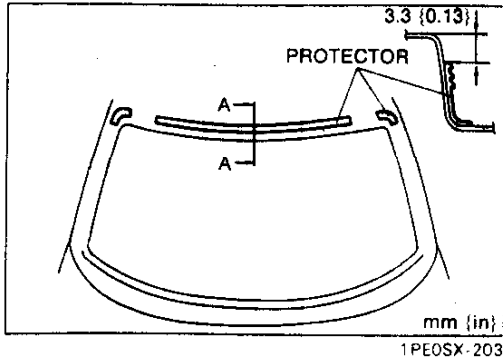
7. Set the glass onto the body and adjust the clearance between the top of the glass and the body to **7 mm {0.27 in}** by moving the spacers up or down.

8. Remove the glass from the body.



37U0SX-644

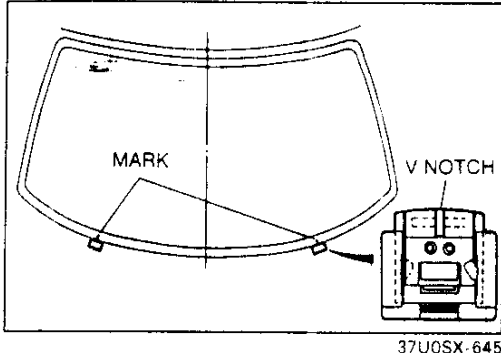
9. Prepare the nozzle of the sealant tube so that it has a flange that can run along the edge of the glass and a V from which the sealant can flow. Apply repair sealant around the entire circumference to fill the gap between the dam and the edge of the glass with a ridge of sealant **11 mm {0.43 in}** high. Keep the bead of sealant smooth and even, reshaping it where necessary with a spatula.



10. If the protector was removed, bond a new one onto the body as shown.

**Caution**

- Bond the protector securely and allow it to dry.

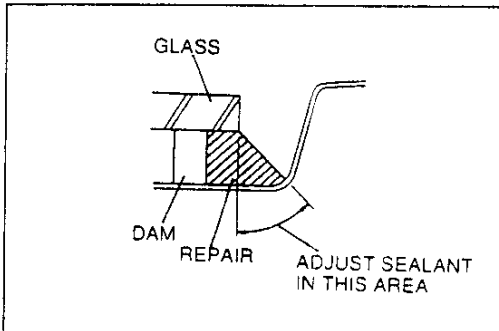


11. Align the glass marks with the notches in the spacers and install the glass onto the body.

12. Press firmly on the glass to compress the sealant.

**Caution**

- Verify that the clearance between the top of the glass and the body is 8 mm {0.31 in}.
- Open the windows to prevent the glass from being pushed out by air pressure if a door is closed.



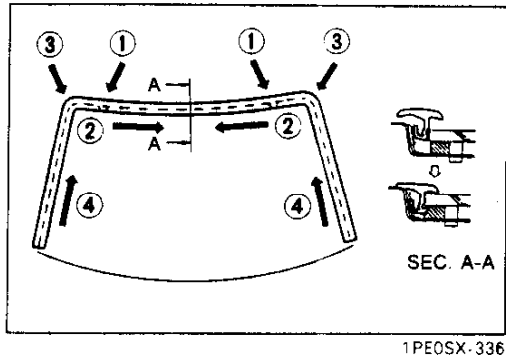
**Hardening time of repair sealant**

Temperature	Surface hardening time	Time required until car can be put into service
5°C {41°F}	Approx. 1.5 hr	12 hr
20°C {68°F}	Approx. 1 hr	4 hr
35°C {95°F}	Approx. 10 min	2 hr

13. Use a scraper to smooth away any sealant that oozes out. Add more sealant to any points of poor contact.

**Caution**

- Adjust the upper and side sealants as shown.



14. Install the molding.

(1) Align the white marks on the molding with the marks on the glass.

(2) Install the upper part of the molding.

(3) Install the corners of the molding.

(4) Install the sides of the molding, starting from the bottom and working toward the top.

15. If a leak is found, wipe the water off well and remove the glass. Reinstall the glass.

REAR HATCH GLASS

PREPARATION

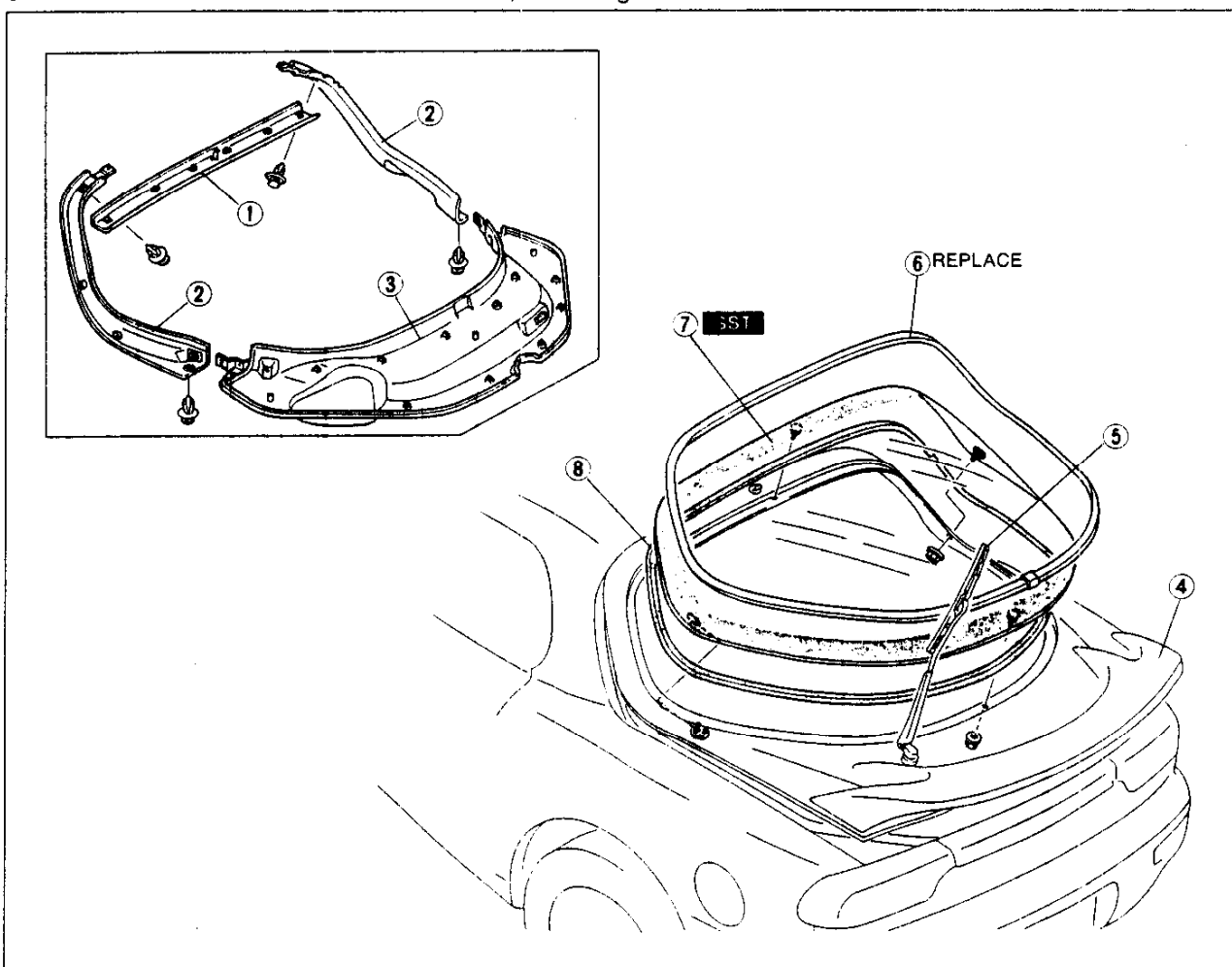
SST

<p>49 0305 870A Tool set, window</p>		<p>For removal / installation of rear hatch glass</p>
--	--	---

COMPONENTS

Removal / Installation

1. Disconnect the negative battery cable.
2. Remove in the order shown in the figure, referring to **Removal Note**.
3. Install in the reverse order of removal, referring to **Installation Note**.

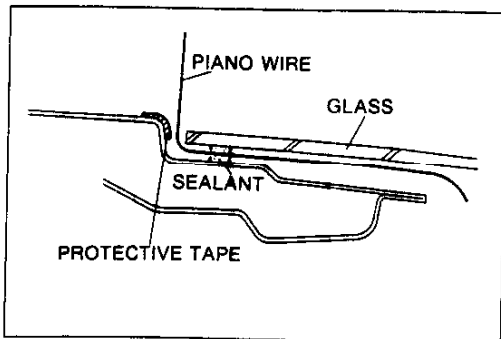


37U05X-64

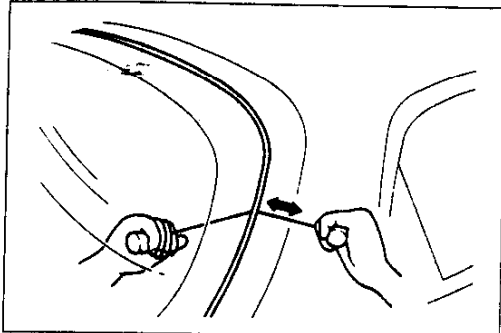
- 1. Rear hatch upper trim  
Removal / Installation ..... page S-56
- 2. Rear hatch side trim  
Removal / Installation ..... page S-56
- 3. Rear hatch lower trim  
Removal / Installation ..... page S-56
- 4. Rear spoiler  
Removal / Installation ..... page S-27

- 5. Rear wiper arm and blade  
Adjustment ..... page S-37
- 6. Rear hatch molding  
Removal / Installation ..... page S-21
- 7. Rear hatch glass  
Removal Note ..... page S-44  
Installation Note ..... page S-44
- 8. Dam

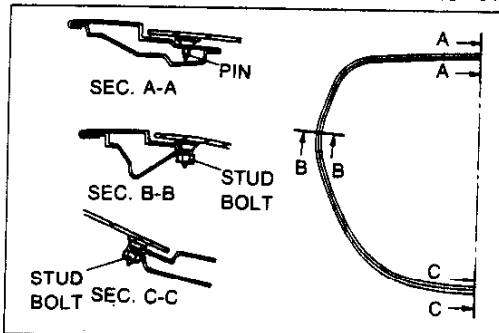
## REAR HATCH GLASS



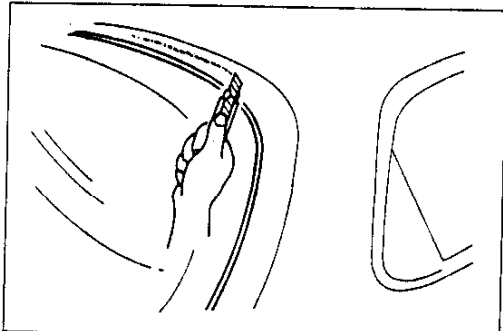
37U0SX-647



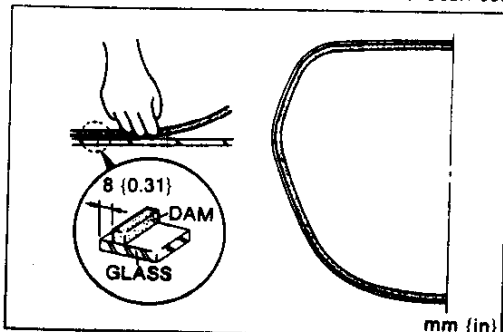
37U0SX-648



37U0SX-649



37U0SX-650



mm {in}

37U0SX-651

### Removal Note

#### Rear hatch glass

1. Apply protective tape along the edge of the rear hatch to protect it from damage.
2. Make a hole through the sealant from the inside of the vehicle by using an awl.
3. Pass piano wire through the hole.
4. Wind each end of the wire around a bar.
5. Working with another person, saw through the sealant around the edge of the glass. Remove the glass.

### Caution

- Use a long sawing action to spread the work over the whole length of wire to prevent it from breaking.
- Be careful that the wire does not rub on the rear hatch.

### Note

- The rear hatch glass has locating studs at the top, bottom, and sides. If it is difficult to cut the sealant with the piano wire, use a razor knife from the inside of the vehicle where necessary.

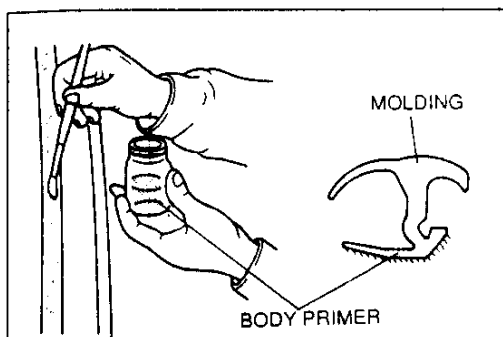
### Installation Note

#### Rear hatch glass

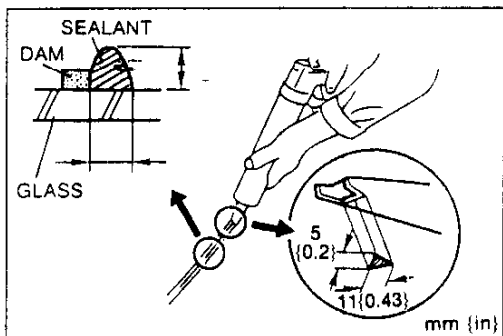
1. Cut away the old sealant by using a razor knife so that **approx. 2 mm {0.08 in}** of sealant remains around the circumference of the frame. If all the sealant has come off in any one place, apply some primer after degreasing, and allow it **30 minutes** to dry. Then put on new sealant to create a **2 mm {0.08 in}** layer.
2. Carefully clean an area **5 cm {1.97 in}** wide around the circumference of the glass and clean the bonding area on the rear hatch.
3. Bond a new dam along the circumference of the glass **8 mm {0.31 in}** from the edge.

### Caution

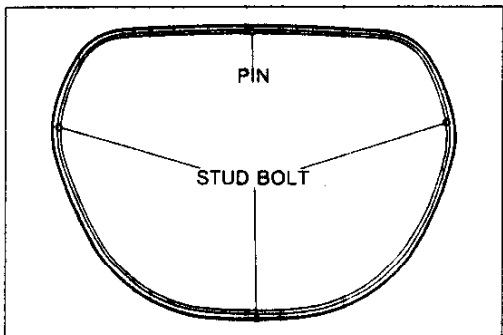
- Bond the dam securely and allow it to dry.



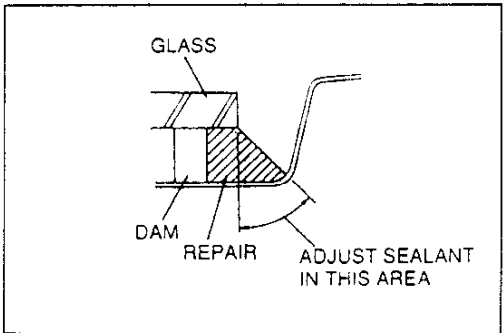
37U0SX-652



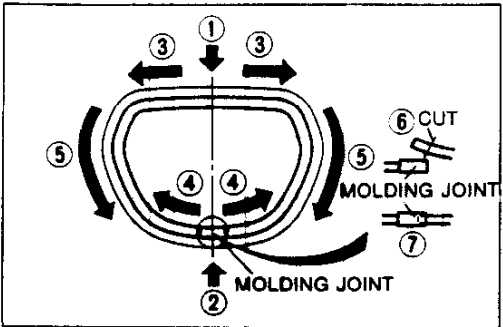
37U0SX-653



37U0SX-654



37U0SX-655



37U0SX-656

- Brush primer onto the bonding area of the glass, new rear hatch molding, and rear hatch, and allow it to dry for **approx. 30 minutes**.

### Caution

- **Keep the area free of dirt and grease. Do not touch the surface.**
- **If primer gets on the skin, remove it immediately.**

### Note

- **Use only glass primer on the glass and body primer on the rear hatch and molding.**

- Prepare the nozzle of the sealant tube so that it has a flange that can run along the edge of the glass and a V from which the sealant can flow. Apply repair sealant around the entire circumference to fill the gap between the dam and the edge of the glass with a ridge of sealant **11 mm {0.43 in}** high. Keep the bead of sealant smooth and even, reshaping it where necessary with a spatula.
- Align the locating studs and install the glass onto the body.
- Press firmly on the glass to compress the sealant. Install the nuts onto the studs.

### Tightening torque:

**2.0–2.9 N·m {20–30 kgf·cm, 18–26 in·lb}**

### Caution

- **Verify that the clearance between the top of the glass and the rear hatch is 8 mm {0.31 in}.**
- **Open the windows to prevent the glass from being pushed out by air pressure if a door is closed.**

### Hardening time of repair sealant

Temperature	Surface hardening time	Time required until car can be put into service
5°C {41°F}	Approx. 1.5 hr	12 hr
20°C {68°F}	Approx. 1 hr	4 hr
35°C {95°F}	Approx. 10 min	2 hr

- Use a scraper to smooth away any sealant that oozes out. Add more sealant to any points of poor contact.

### Caution

- **Adjust the upper and side sealant as shown.**

- Install the molding.
  - Align the white mark on the molding with that on the upper part of the glass.
  - Align the mark on the lower part of the glass with the molding joint.
  - Install the upper part of the molding.
  - Install the lower part of the molding.
  - Install the side parts of the molding, starting from the top and working toward the bottom.
  - Cut the molding to fit securely into the molding joint.
  - Insert the molding into the molding joint.
- If a leak is found, wipe the water off well and remove the glass. Reinstall the glass.

SLIDING SUNROOF

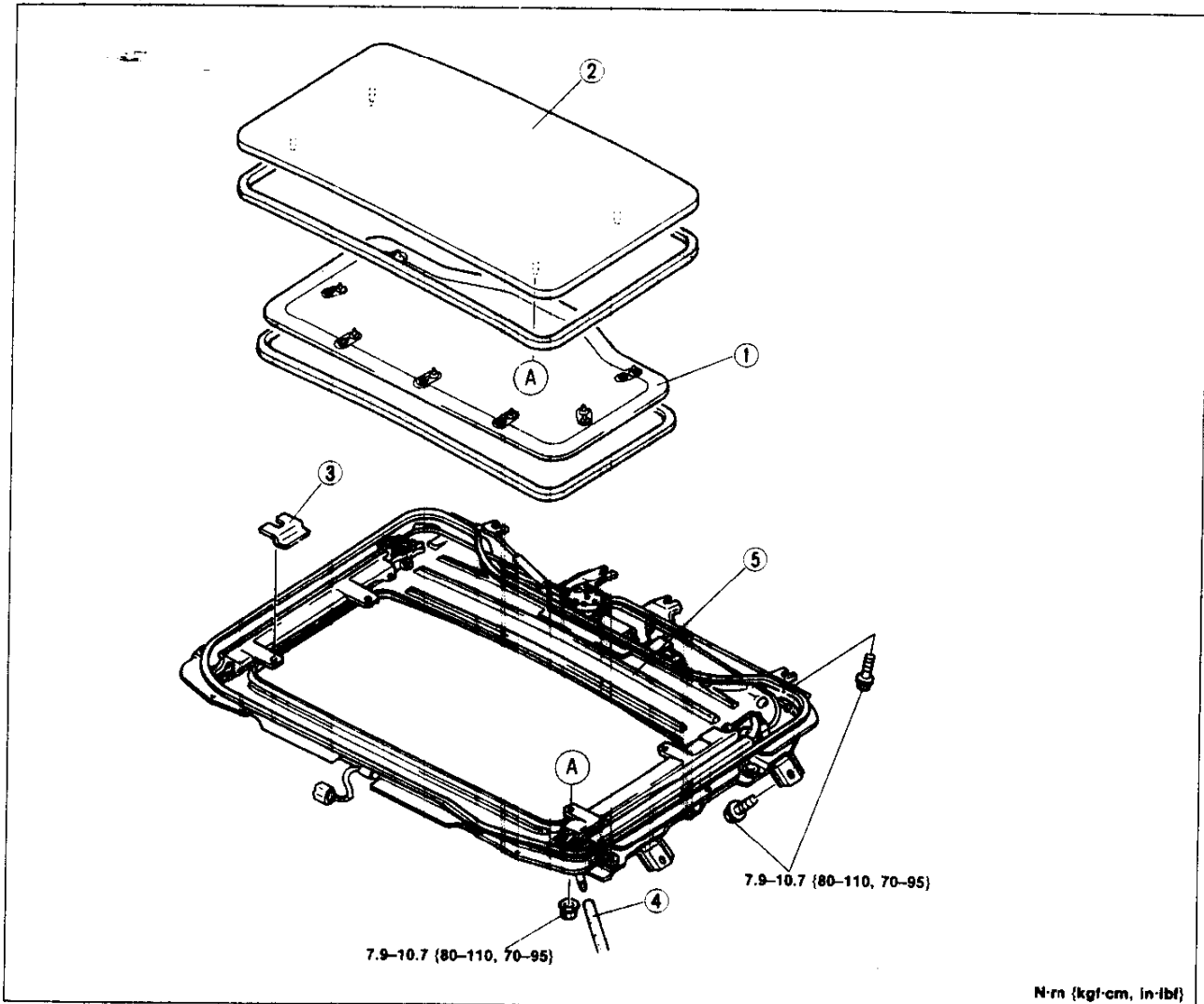
COMPONENTS

Removal / Installation

1. Open the slide panel **100 mm (3.9 in)** from the fully closed position.
2. Disconnect the negative battery cable.
3. Remove in the order shown in the figure, referring to **Removal Note**.
4. Install in the reverse order of removal, referring to **Installation Note**.

Note

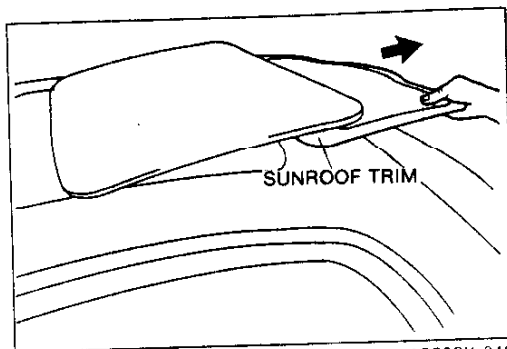
- Remove the headliner to remove and install the sunroof drive unit assembly. (Refer to page S-61.)



N·m (kgf·cm, in·lbf)

37U0SX-657

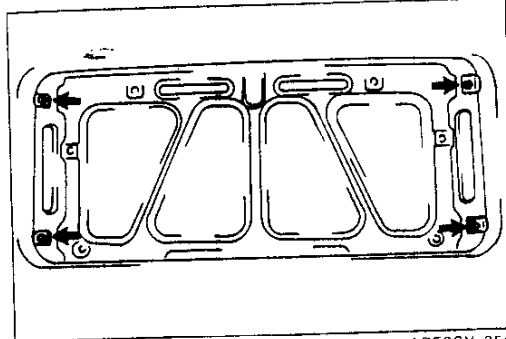
1. Sunroof trim		4. Drain hose	
Removal Note .....	page S-47	Installation Note .....	page S-48
Installation Note .....	page S-49	5. Sunroof drive unit assembly	
2. Slide panel		Removal Note .....	page S-47
Removal Note .....	page S-47	Installation Note .....	page S-47
Installation Note .....	page S-48	Disassembly / Assembly .....	page S-50
Adjustment.....	page S-53		
3. Sunroof shim			



1PE0SX-249

### Removal Note Sunroof trim

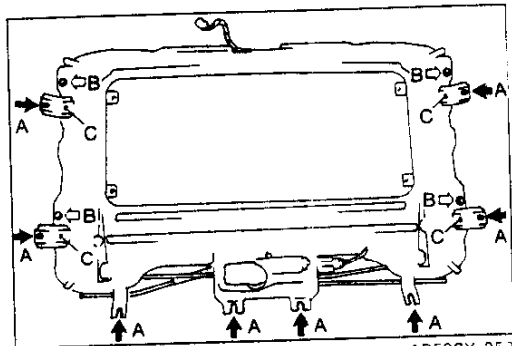
1. Tilt up the slide panel.
2. Disengage the fasteners at the front of the sunroof trim. Pull down the trim to remove it from the sunroof pane.
3. Pull out the sunroof trim from between the slide panel and the roof.



1PE0SX-250

### Slide panel

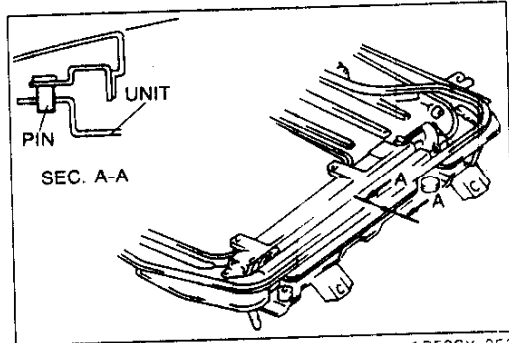
1. Fully close the slide panel by using the emergency handle (supplied in vehicle).
2. Remove the slide panel fixing nuts. Push the slide panel up from the inside and remove it from the guide.



1PE0SX-252

### Sunroof drive unit assembly.

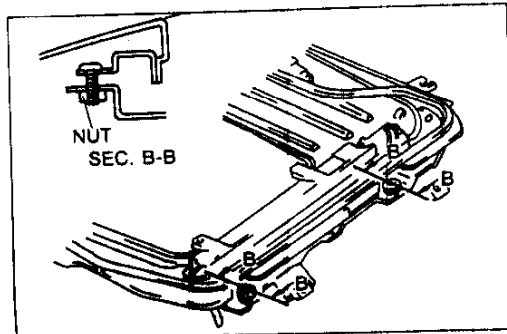
1. Remove bolts A.
2. Loosen nuts C.
3. Loosen height adjusting nuts B and remove the sunroof drive unit from the body.



1PE0SX-253

### Installation Note Sunroof drive unit assembly

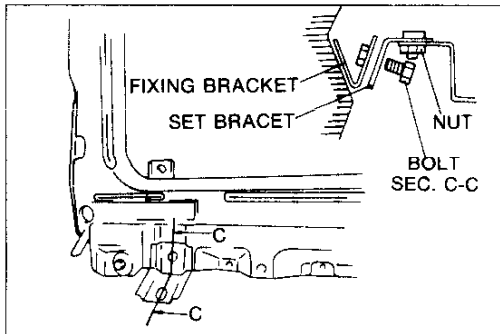
1. Align the locator pins and set the sunroof drive unit to the roof panel.



1PE0SX-254

2. Loosely install the sunroof drive unit to the roof panel with the height adjusting nuts.



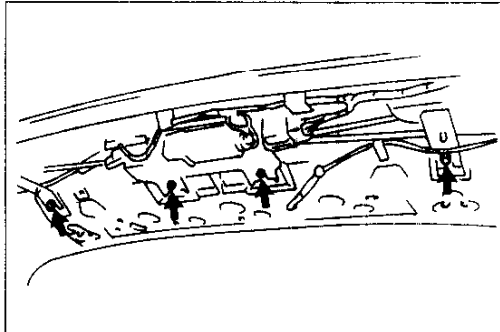


37U0SX-659

- Loosen the set bracket attaching nuts. Position the set bracket so that it touches the roof panel fixing bracket. Tighten the fixing bracket bolts, then tighten the nuts.

**Tightening torque:**

**7.9–10.7 N·m {80–110 kgf·cm, 70–95 in·lbf}**

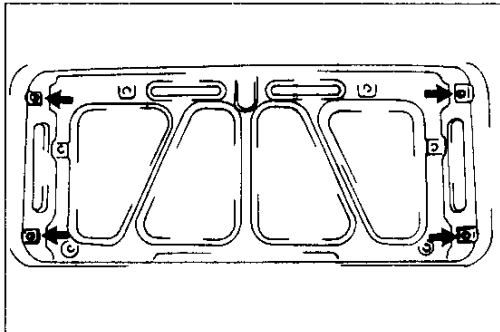


37U0SX-660

- Affix the rear of the sunroof frame to the roof panel.

**Tightening torque:**

**7.9–10.7 N·m {80–110 kgf·cm, 70–95 in·lbf}**



37U0SX-661

**Slide panel**

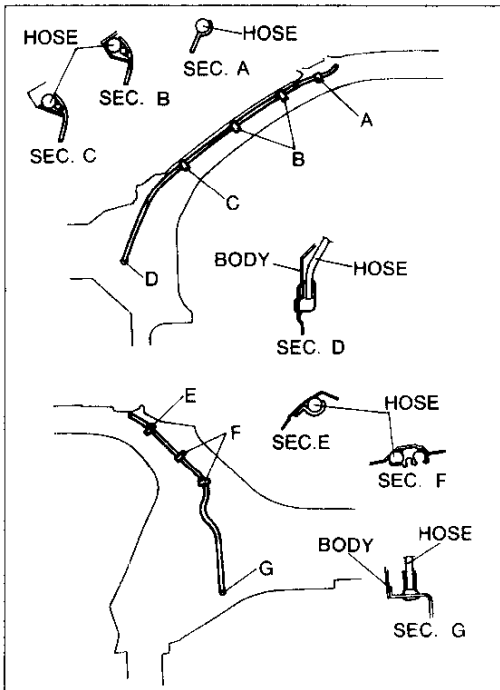
Install the slide panel to the guide.

**Note**

- If the height difference between the slide panel and the roof panel is greater than 2.0 mm {0.08 in}, loosen the slide panel attaching nuts and insert shim(s) between the panels.

**Tightening torque:**

**7.9–10.7 N·m {80–110 kgf·m, 70–95 in·lbf}**



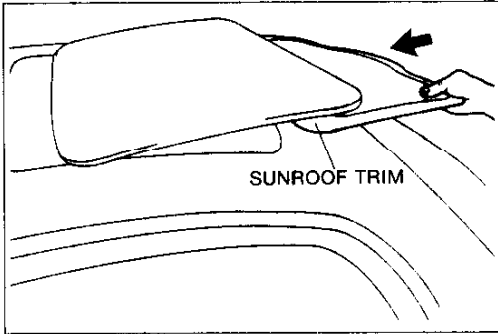
1PE0SX-260

**Drain hose**

- On the A-pillar side, insert one end of the hose into the sunroof frame, set the hose along the A-pillar, and insert the other end into the cowl side panel hole.
- On the B-pillar side, insert one end of the hose into the sunroof frame and insert the other end into the rear fender panel hole via the hole in the upper part of the B-pillar.

**Note**

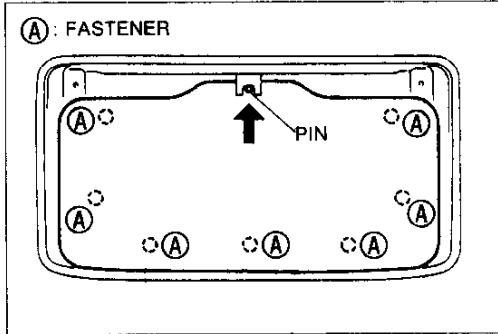
- Apply soapy water to the drain hose and insert it fully into the sunroof frame.



1PE0SX 261

**Sunroof trim**

1. Tilt up the slide panel. Insert the sunroof trim between the slide panel and the roof panel from the rear of the vehicle.



1PE0SX 262

**Note**

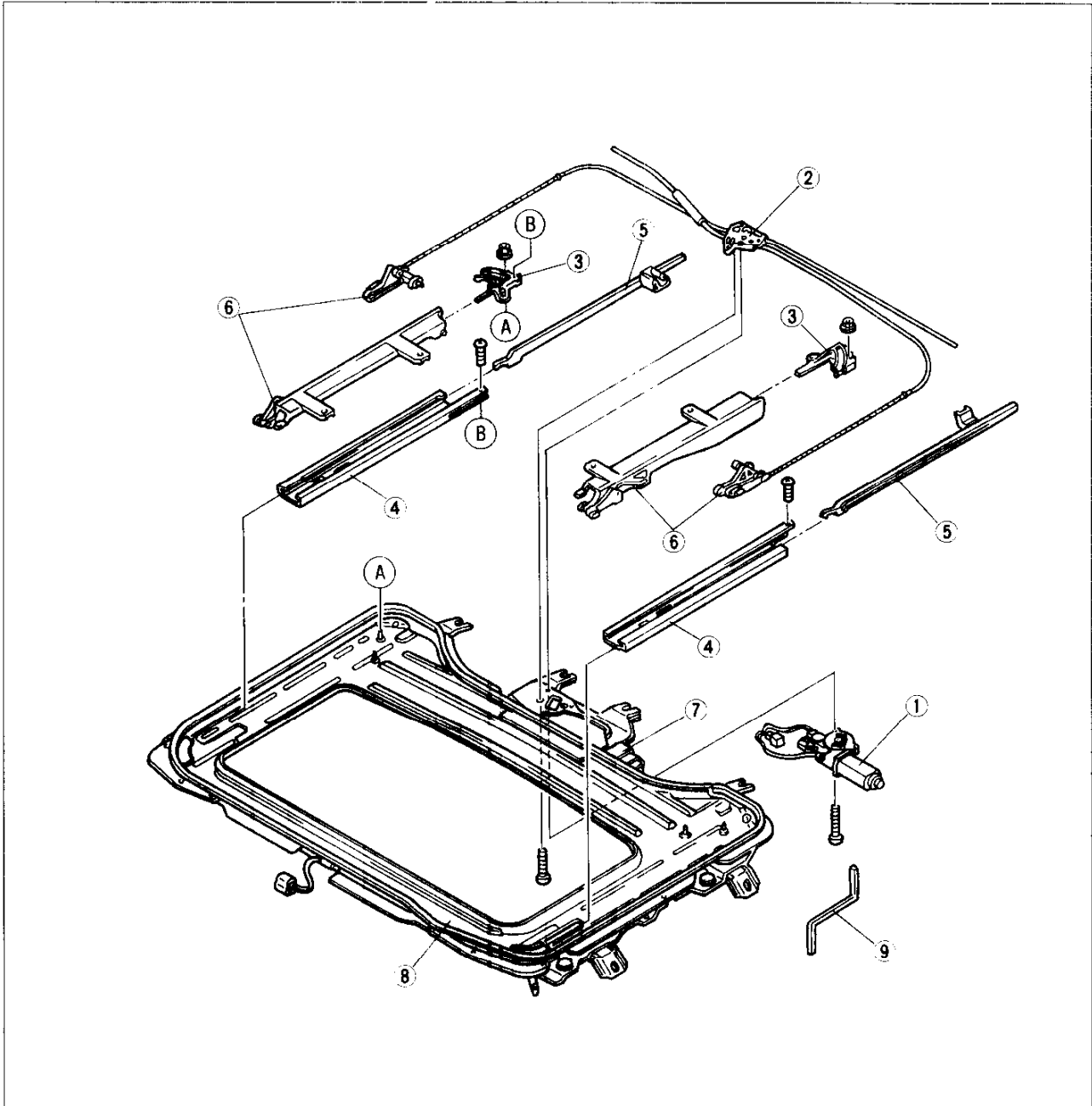
- To locate the trim, match the sunroof trim guide pin with the notch in the slide panel trim bracket.

2. Install the sunroof trim fasteners to the slide panel.

**SLIDING SUNROOF DRIVE UNIT ASSEMBLY**

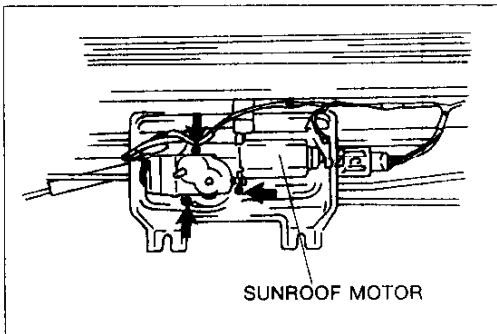
**Disassembly / Assembly**

1. Disassemble in the order shown in the figure, referring to **Disassembly Note**.
2. Assemble in the reverse order of disassembly, referring to **Assembly Note**.



37J0SX-662

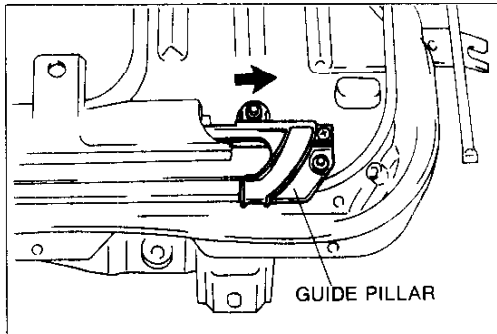
- |   |  |
|---|--|
| <p>1. Sunroof motor<br/>                 Disassembly Note ..... page S-51<br/>                 Assembly Note ..... page S-52<br/>                 Adjustment ..... page S-53</p> <p>2. Drive unit</p> <p>3. Guide pillar<br/>                 Disassembly Note ..... page S-51<br/>                 Assembly Note ..... page S-52</p> <p>4. Guide rail<br/>                 Disassembly Note ..... page S-51<br/>                 Assembly Note ..... page S-52</p> | <p>5. Shutting assembly<br/>                 Disassembly Note ..... page S-51<br/>                 Assembly Note ..... page S-52</p> <p>6. Guide<br/>                 Disassembly Note ..... page S-51<br/>                 Assembly Note ..... page S-52</p> <p>7. Sunroof relay</p> <p>8. Sunroof frame</p> <p>9. Emergency handle</p> |
|---|--|



1PE0SX 26

**Disassembly Note**  
**Sunroof motor**

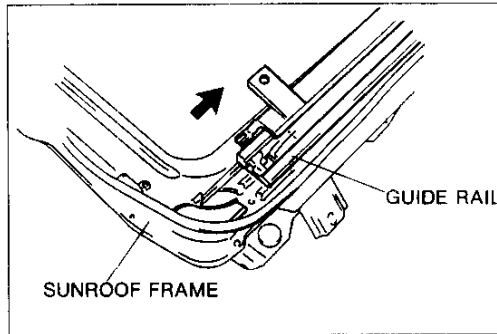
1. Remove the screws and remove the motor from the sunroof frame.
2. Disconnect the motor harness connector.



1PE0SX 26

**Guide pillar**

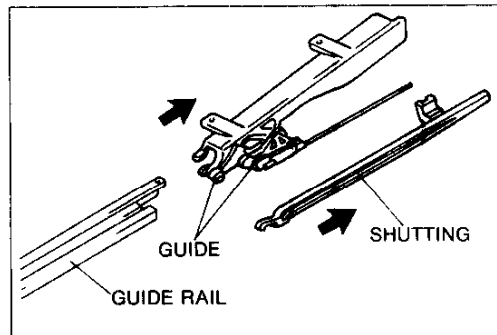
1. Remove the guide pillar mounting nuts and screw.
2. Pull the guide pillar to remove it from the guide rail.



1PE0SX 26

**Guide rail**

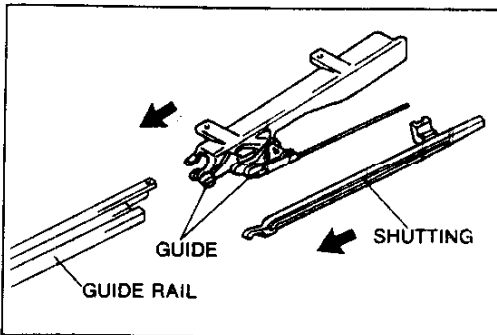
Pull the guide rail with the guide to remove them from the sunroof frame.



1PE0SX 26

**Shutting assembly, guide**

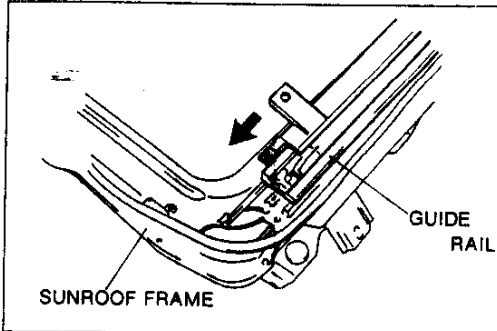
1. Pull the shutting assembly to remove it from the guide rail.
2. Pull the guide to remove it from the guide rail.



37U0SX-663

#### Assembly Note Shutting assembly, guide

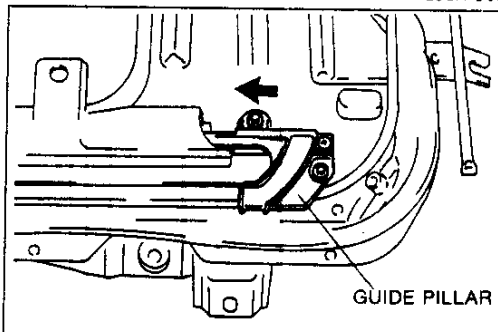
1. Insert the guide into the guide rail.
2. Insert the shutting assembly into the guide rail.



1PE0SX-269

#### Guide rail

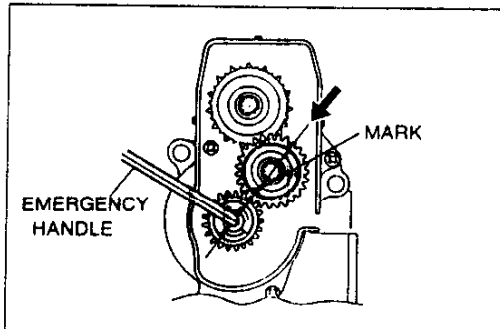
Insert the guide rail with the guide into the sunroof frame.



1PE0SX-270

#### Guide pillar

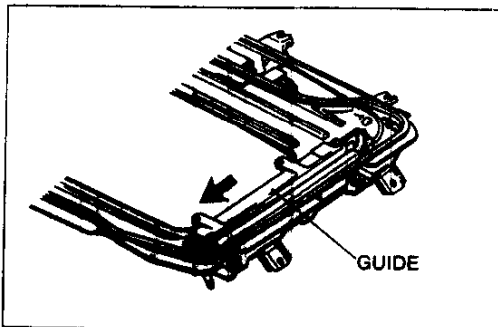
1. Insert the guide pillar into the guide rail.
2. Install the guide pillar mounting nuts and screw.



1PE0SX-271

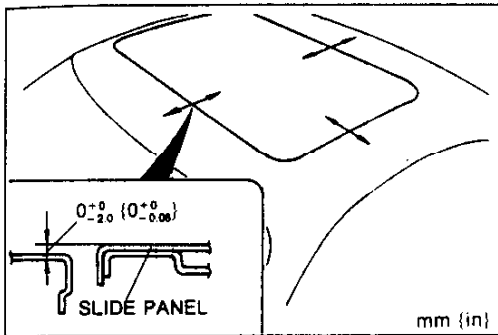
#### Sunroof motor

1. Remove the motor cover. Position the mark on the timing gear as shown in the figure by using the emergency handle (supplied in vehicle).



37U0SX-xxx

2. Move the guide fully forward by hand.
3. Install the motor to the sunroof frame.
4. Connect the motor harness connector.

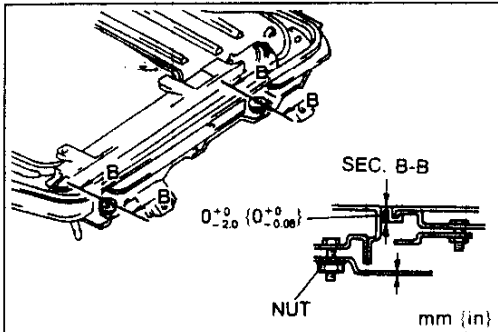


37U0SX-664

## Adjustment Slide panel Height

Adjust the height difference between the slide panel and the roof panel according to the following procedure.

**Allowable height difference: 2.0 mm {0.08 in} max.**



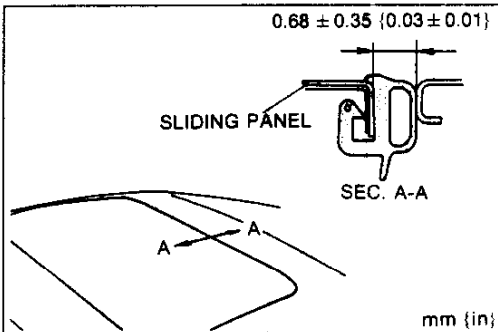
37U0SX-665

1. Remove the headliner. (Refer to page S-61.)
2. Loosen the set bracket attaching nuts.
3. Turn the height adjusting nuts to adjust the sunroof frame height.

## Note

● **Clockwise rotation increases the frame height.**

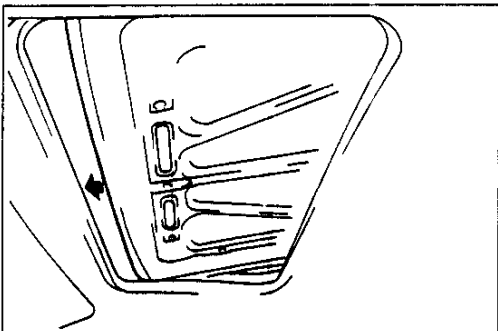
4. After adjustment, securely install the sunroof to the roof panel.



37U0SX-666

## Gap

1. Verify that the slide panel does not interfere with the roof panel when operated.
2. If necessary, loosen the slide panel mounting nuts and move the panel.
3. If the above adjustment is not enough, loosen the mounting screws and bolts of the sunroof frame and set bracket and adjust again. (Refer to page S-47 Installation Note for the sunroof drive unit assembly.)



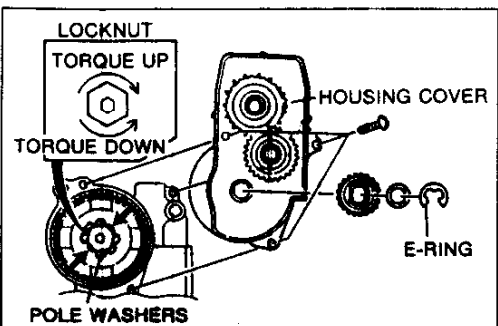
1PE0SX-276

## Sunroof motor

1. Measure the operation time of the slide panel from fully open to fully closed or vice versa.

**Specified time: 4-7 sec.**

2. If not as specified, adjust it by turning the locknut on the sunroof motor.



1PE0SX-277

- (1) Remove the housing cover attaching screw and the E-ring. Remove the housing cover from the motor.
- (2) Unfold the pole washers indicated by the arrows.
- (3) Hold the motor shaft with the emergency handle (supplied in vehicle) and turn the locknut to adjust the torque.
- (4) Fold the pole washers against the locknut.

## Note

● **Be sure to fold the pole washers.**

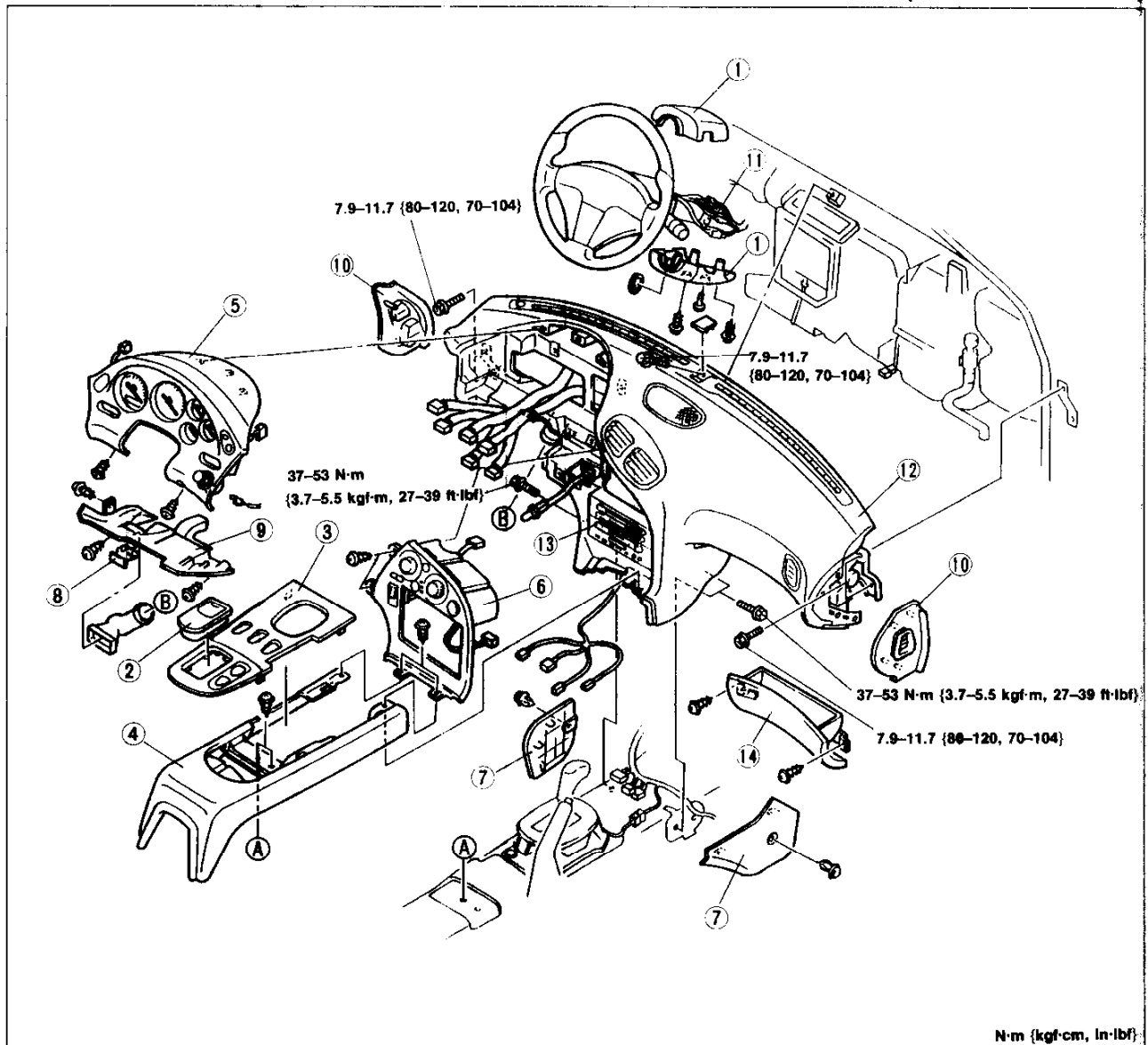
### DASHBOARD AND CONSOLE COMPONENTS

#### Removal / Installation

1. Disconnect the negative battery cable.
2. Remove in the order shown in the figure, referring to **Removal Note**. (Refer to the 1993 RX-7 Body Electrical Troubleshooting Manual, Section J1, when removing the audio unit.)
3. Install in the reverse order of removal.

#### Note

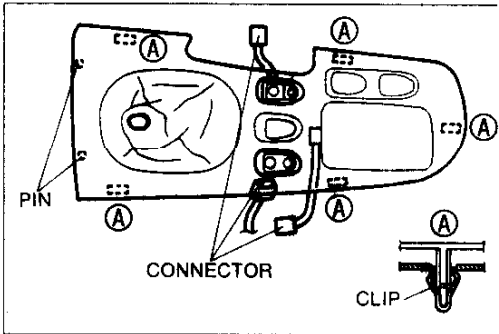
- Remove the parking brake lever to remove and install the dashboard. (Refer to Section P.)



N·m (kgf·cm, in·lbf)

37U0SX-667

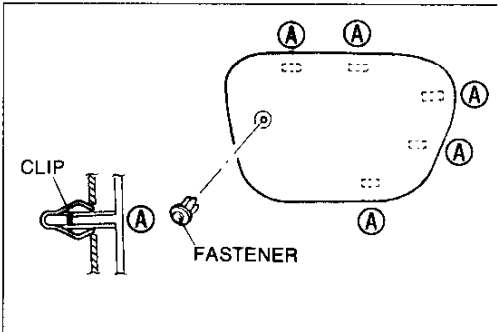
- |                                      |                                       |
|--------------------------------------|---------------------------------------|
| 1. Column cover                      | 8. Hood release knob                  |
| 2. Ashtray                           | Removal / Installation ..... page S-5 |
| 3. Console panel                     | 9. Lower panel                        |
| Removal Note ..... page S-55         | 10. Side panel                        |
| 4. Rear console                      | Removal Note ..... page S-55          |
| 5. Meter hood and instrument cluster | 11. Steering shaft                    |
| 6. Center panel                      | Removal Note ..... page S-55          |
| 7. Side wall                         | 12. Dashboard                         |
| Removal Note ..... page S-55         | 13. Audio unit                        |
|                                      | 14. Glove compartment                 |



37U0SX-668

### Removal Note Console panel

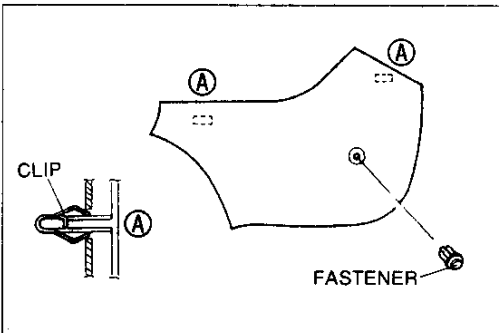
1. Remove the ashtray.
2. Insert a protected screwdriver at point A to pry out the rear of the panel.
3. Pull the console panel upward to disengage the clips from the body.
4. Remove the ashtray lamp.
5. Disconnect the harness connector from the switches.



37U0SX-694

### Side wall (driver side)

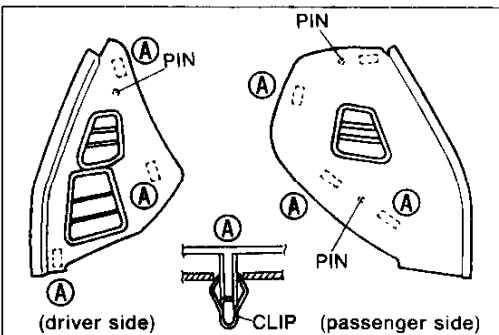
1. Remove the installation fastener.
2. Pull the side wall forward to disengage the clips from the body.



37U0SX-695

### (passenger side)

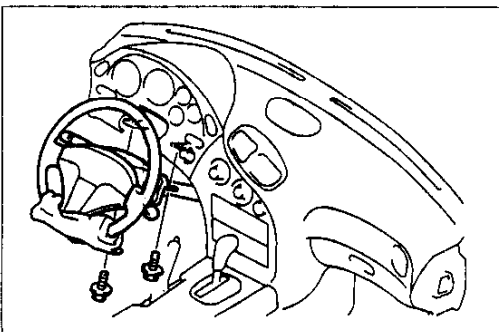
1. Remove the installation fastener.
2. Pull the side wall forward to disengage the clips from the body.



37U0SX-669

### Side panel

Pull the rear of the side panel forward to disengage the clips from the body.



37U0SX-670

### Steering shaft

Remove the steering shaft mounting bolts to lower the shaft.

### Caution

- Protect the steering wheel with a clean rag before setting down the shaft.



**TRIM**

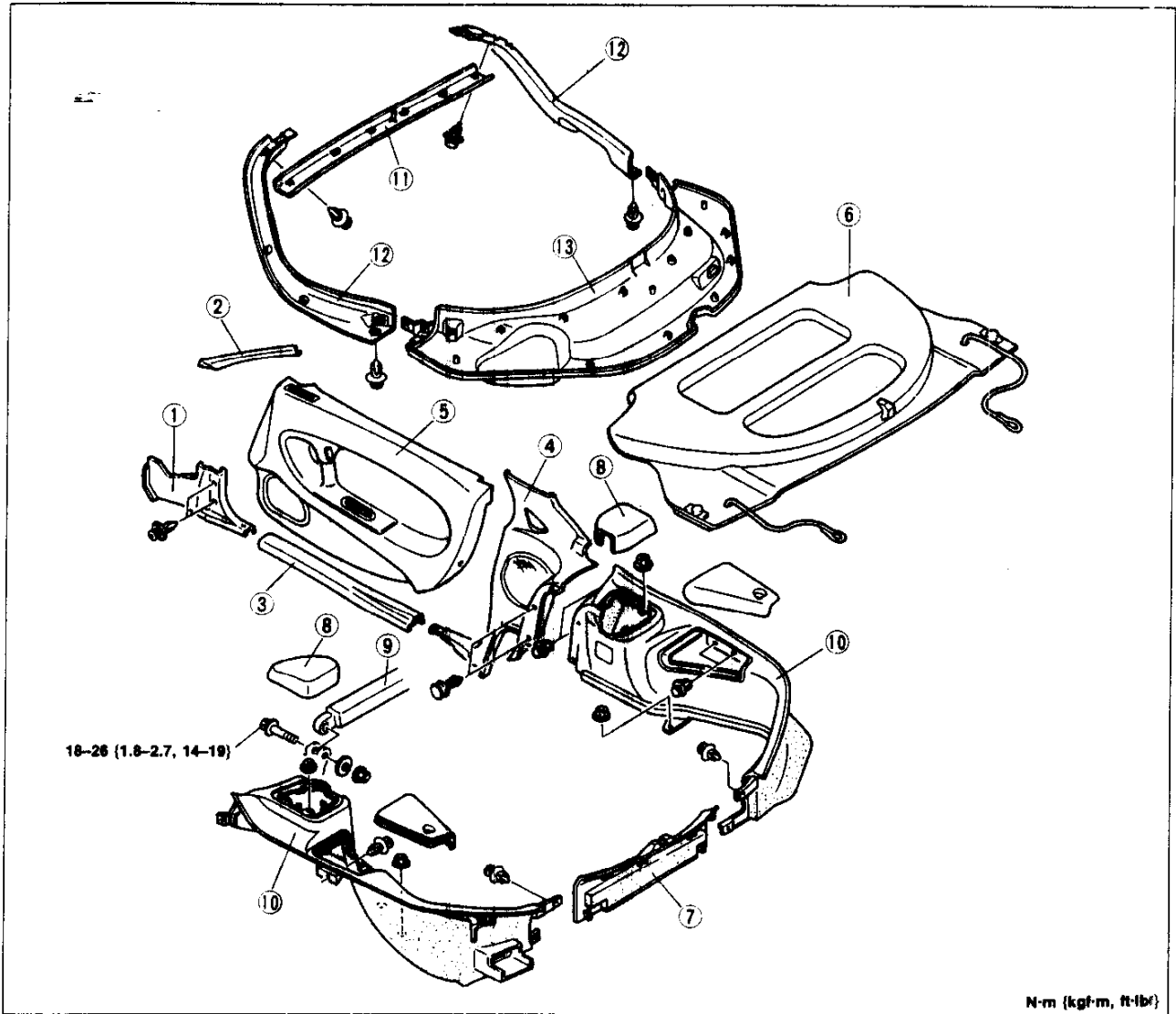
**COMPONENTS**

**Removal / Installation**

1. Remove in the order shown in the figure, referring to **Removal Note**.
2. Install in the reverse order of removal.

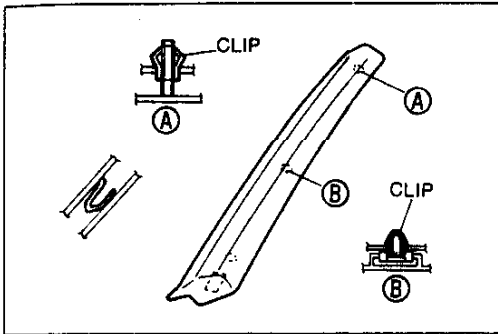
**Note**

- Remove the acoustic wave guide assembly to remove and install the trunk end trim and trunk side trim. (Refer to the 1993 RX-7 Body Electrical Troubleshooting Manual, Section J1, when removing the acoustic wave guide assembly.)



- |                      |           |
|----------------------|-----------|
| 1. Front side trim   |           |
| 2. A-pillar trim     |           |
| Removal Note .....   | page S-57 |
| 3. Scuff plate       |           |
| Removal Note .....   | page S-57 |
| 4. Quarter trim      |           |
| Removal Note .....   | page S-57 |
| 5. Door trim         |           |
| Removal Note .....   | page S-57 |
| 6. Rear package tray |           |
| 7. Trunk end trim    |           |
| Removal Note .....   | page S-58 |

- |                              |           |
|------------------------------|-----------|
| 8. Suspension tower cover    |           |
| 9. Suspension rear strut bar |           |
| 10. Trunk side trim          |           |
| 11. Rear hatch upper trim    |           |
| Removal Note .....           | page S-53 |
| 12. Rear hatch side trim     |           |
| Removal Note .....           | page S-53 |
| 13. Rear hatch lower trim    |           |
| Removal Note .....           | page S-59 |

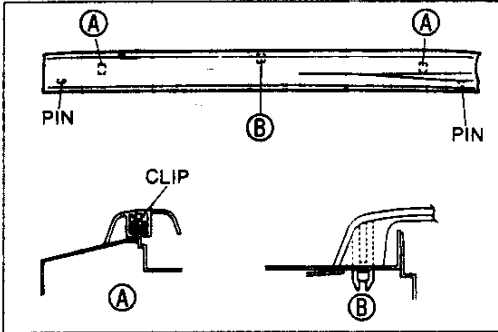


1PE0SX-284

**Removal Note**

**A-pillar trim**

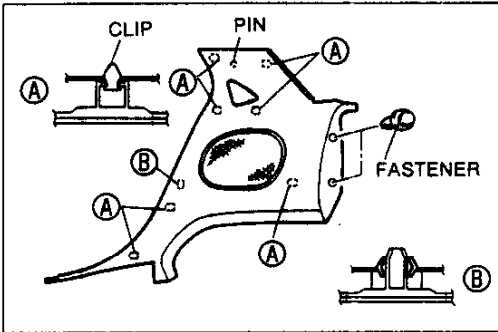
1. Remove the seaming welt.
2. Pull the A-pillar trim to disengage the clips from the body.
3. Pull the A-pillar trim up to remove it.



1PE0SX-285

**Scuff plate**

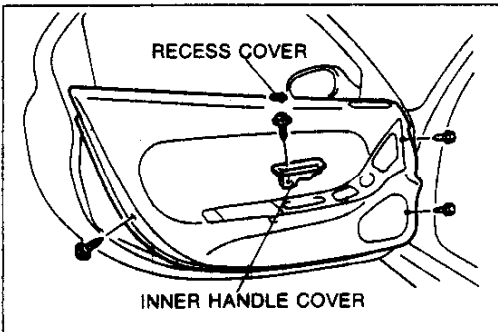
Pull the scuff plate up to disengage the clips from the body.



37U0SX-672

**Quarter trim**

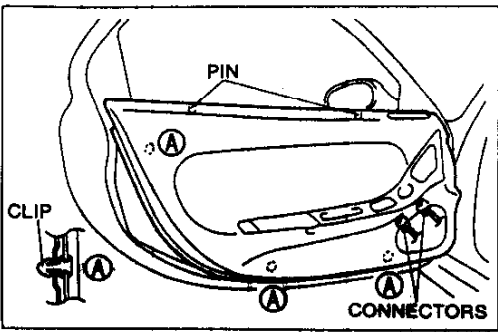
1. Remove the scuff plate.
2. Remove the seaming welt.
3. Remove the seat belt lower anchor. (Refer to page S-63.)
4. Remove the installation screw and fasteners.
5. Pull the quarter trim to disengage the clips from the body.



37U0SX-673

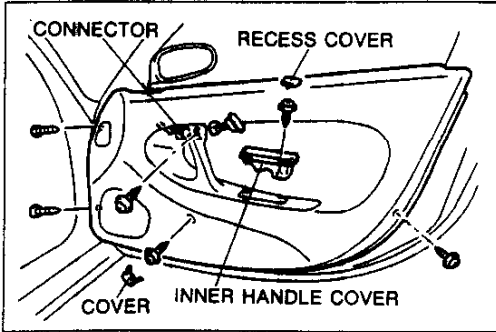
**Door trim  
(driver side)**

1. Remove the recess cover and the installation screw.
2. Remove the inner handle cover.
3. Remove the door trim installation screws.



37U0SX-674

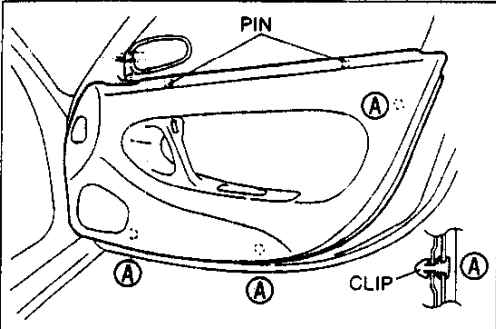
4. Pull the door trim to disengage the clips from the body.
5. Lift the door trim up to remove it.
6. Disconnect the harness connectors.



37U0SX-675

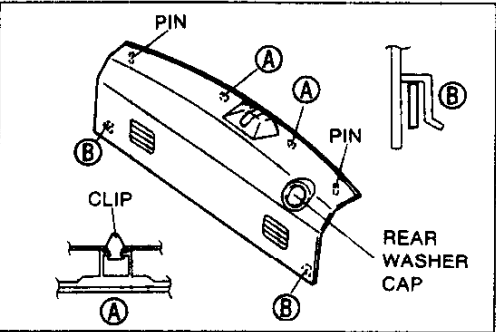
**(passenger side)**

1. Remove the recess cover and the installation screw.
2. Remove the inner handle.
3. Disconnect the harness connector.
4. Remove the cap and door trim mounting screws.



37U0SX-676

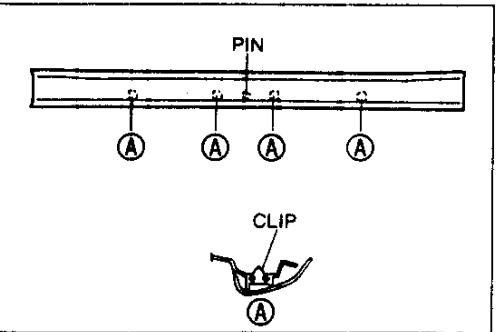
5. Pull the door trim to disengage the clips from the body.
6. Lift the door trim up to remove it.



1PE0SX-292

**Trunk end trim**

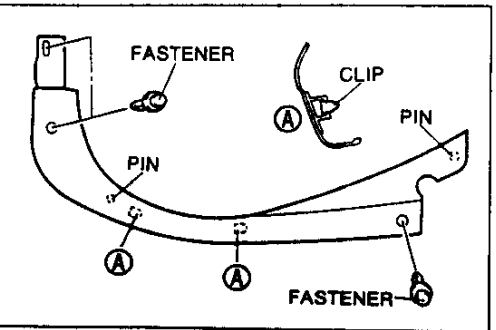
1. Remove the rear washer cap.
2. Remove the installation fasteners.
3. Pull the trunk end trim to disengage the clips from the body.
4. Lift the trunk end trim up to remove it.



37U0SX-680

**Rear hatch upper trim**

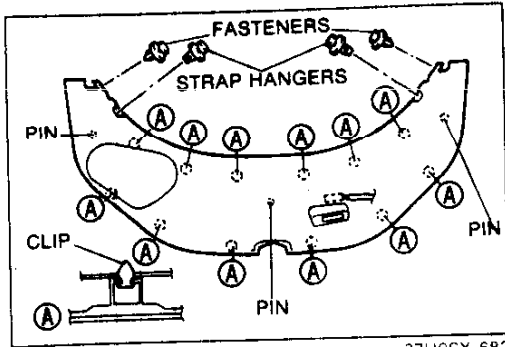
1. Remove the installation fasteners.
2. Pull the rear hatch upper trim to disengage the clips from the body.



37U0SX-681

**Rear hatch side trim**

1. Remove the rear hatch upper trim.
2. Remove the fasteners.
3. Pull the rear hatch side trim to disengage the clips from the body.



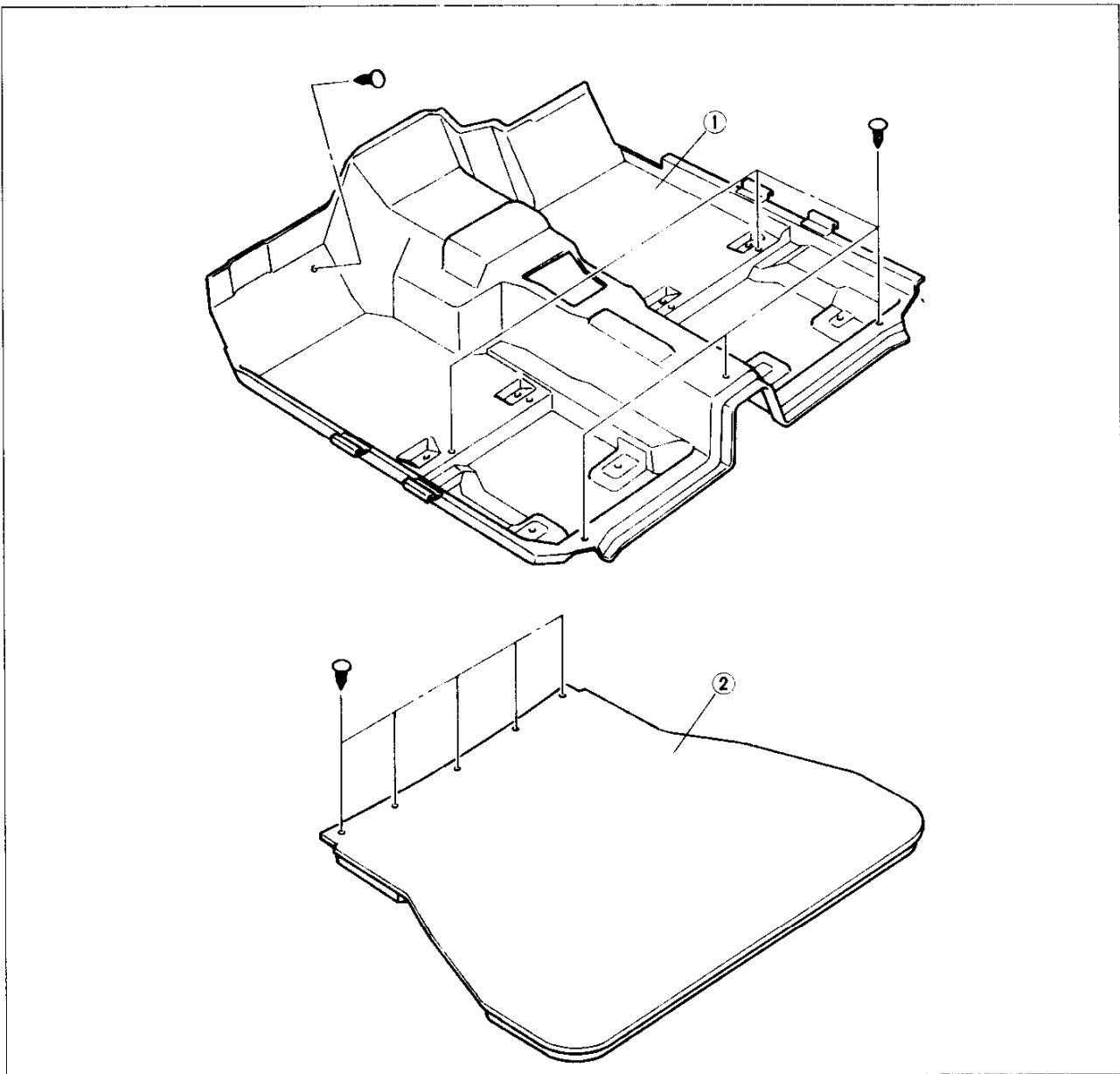
37U0SX-682

**Rear hatch lower trim**

1. Remove the rear hatch side trim (page S-58).
2. Rotate the strap hangers 90° and remove them.
3. Remove the fasteners.
4. Pull the rear hatch lower trim to disengage the clips from the body.

**FLOOR MAT****COMPONENTS****Removal / Installation**

1. Disconnect the negative battery cable.
2. To remove the floor mat, first remove:
  - a. Seats (Refer to page S-65.)
  - b. Scuff plates (Refer to page S-56.)
  - c. Seat belt lower anchor (Refer page S-63.)
  - d. Quarter trim (Refer to page S-56.)
  - e. Storage compartment (Refer to page S-67.)
  - f. Dashboard and console (Refer to page S-54.)
3. Remove the remaining parts in the order shown in the figure.
4. Install in the reverse order of removal.



1. Floor mat

2. Trunk mat

37U0SX-683

**HEADLINER**

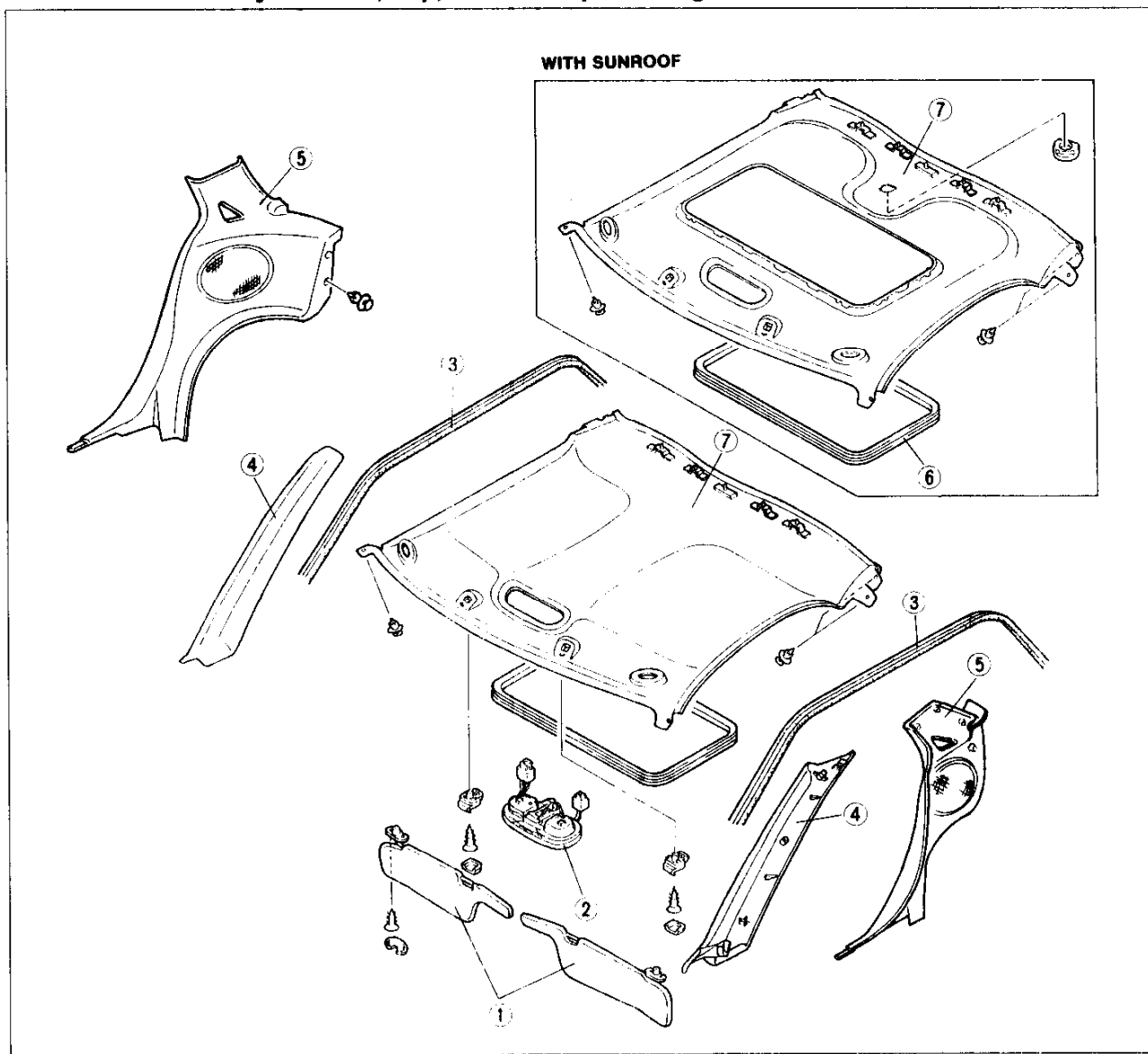
**COMPONENTS**

**Removal / Installation**

1. Disconnect the negative battery cable.
2. Remove in the order shown in the figure, referring to **Removal Note**.
3. Install in the reverse order of removal.

**Caution**

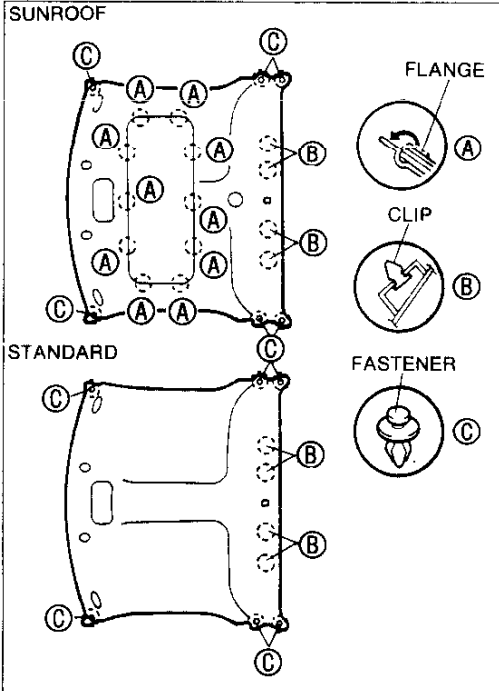
- Do not break any fastener, clip, or locator pin during removal or installation.



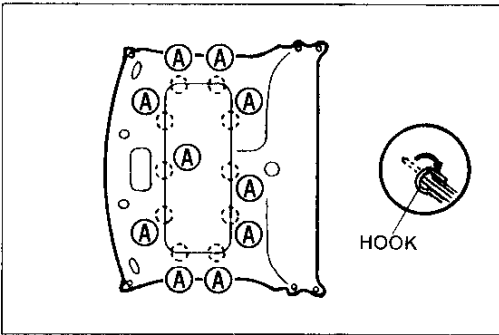
37U0SX-684

1. Sunvisor and adapter
2. Overhead console
3. Seaming welt (door)
4. A-pillar trim  
Removal / Installation ..... page S-56

5. Quarter trim  
Removal / Installation ..... page S-56
6. Seaming welt (sliding sunroof)
7. Headliner  
Removal Note ..... page S-62  
Installation Note (Sliding sunroof)  
..... page S-62



1PEOSX 299



1PEOSX 300

**Removal Note**  
**Headliner**  
**Standard model**

1. Remove the attaching fasteners from the front of the headliner. Remove the attaching clips at the rear and sides of the headliner.
2. Remove the headliner.

**Caution**  
 ● Do not damage the headliner.

**Sunroof model**

1. Carry out step 1 above.
2. Remove the seaming welt and unfold the hooks at the sunroof frame flange.
3. Remove the headliner.

**Caution**  
 ● Do not damage the headliner.

**Installation Note**  
**Headliner**  
**Sunroof model**

1. Fold the headliner hooks against the sunroof frame flange.
2. Install the seaming welt.
3. Install the headliner.

SEAT BELT

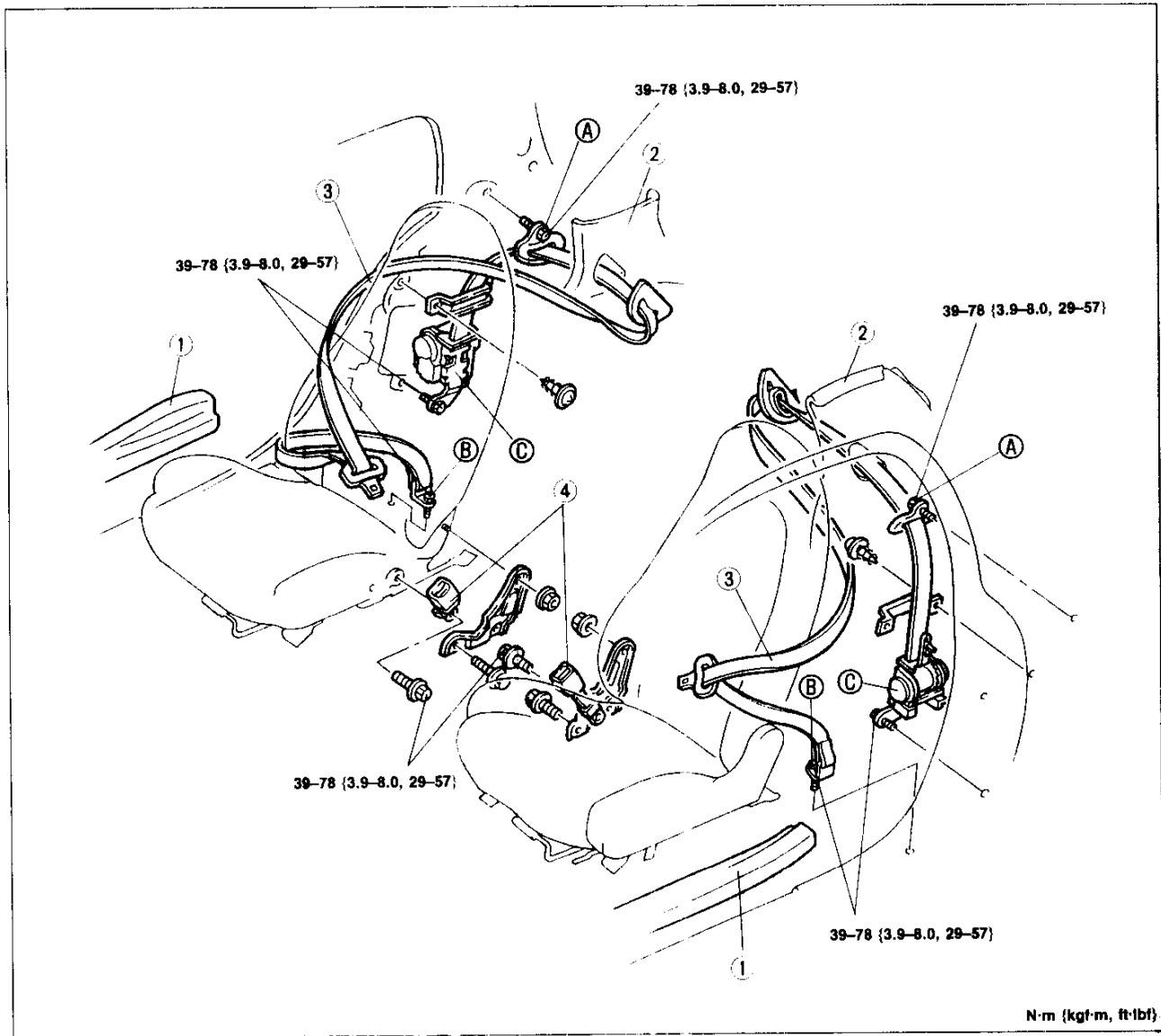
COMPONENTS

Removal / Installation

1. Removal in the order shown in the figure.
2. Install in the reverse order of removal.

Caution

- Do not disassemble the buckle or retractor assembly.



170U0SX: 685

1. Scuff plate  
Removal / Installation ..... page S-56
2. Quarter trim  
Removal / Installation ..... page S-56

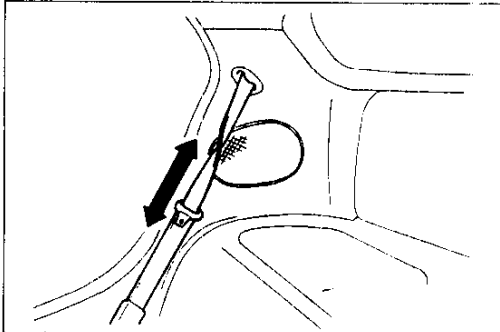
3. Seat belt assembly  
A. Lower anchor  
B. Upper anchor  
C. Retractor  
Inspection ..... page S-64
4. Buckle



**SEAT BELT****Inspection****Webbing and fittings**

1. Inspect the webbing for scars and tears.
2. Inspect the fittings for deformation.
3. If any problem is found, replace the seat belt assembly.

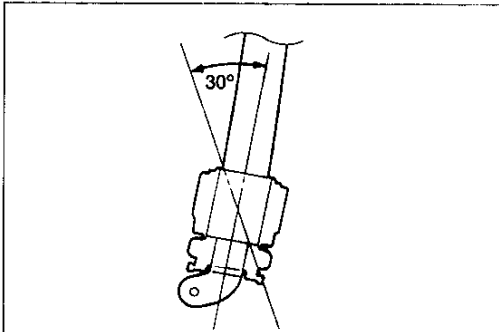
1PE0SX-302.



1PE0SX-303

**Emergency locking retractor (ELR)**

1. Pull out the seat belt slowly and then release it. Verify that it returns smoothly.
2. Verify that the retractor locks when the belt is quickly pulled.



1PE0SX-304

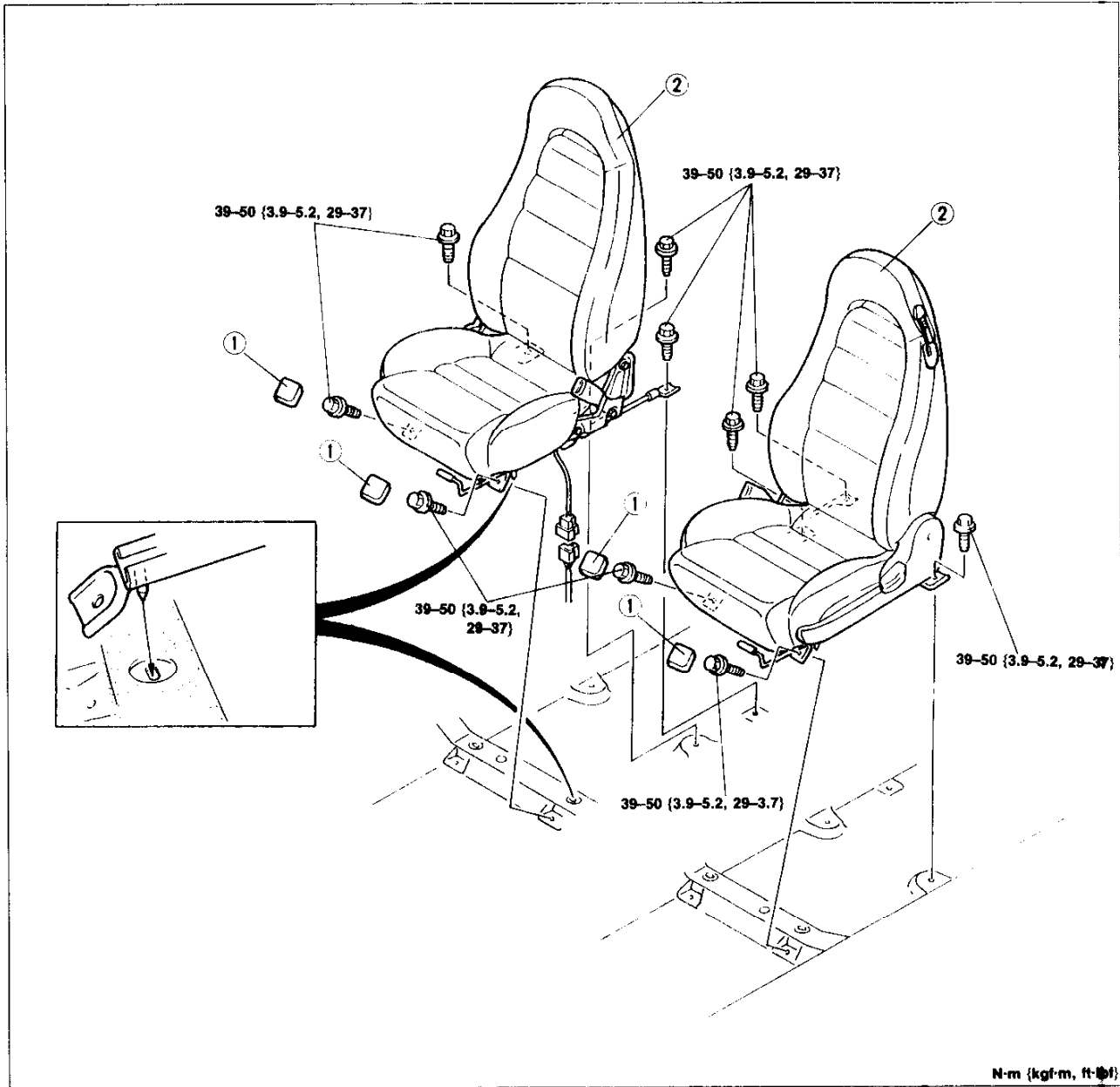
3. Remove the retractor.
4. Hold the retractor as it would be installed.
5. Slowly incline the retractor while pulling out the belt.
6. Verify that the retractor locks at angle of **approx. 30 degrees**.
7. If not as specified, replace the seat belt assembly.

SEAT

COMPONENTS

Removal / Installation

- 1. Remove in the order shown in the figure.
- 2. Install in the reverse order of removal.



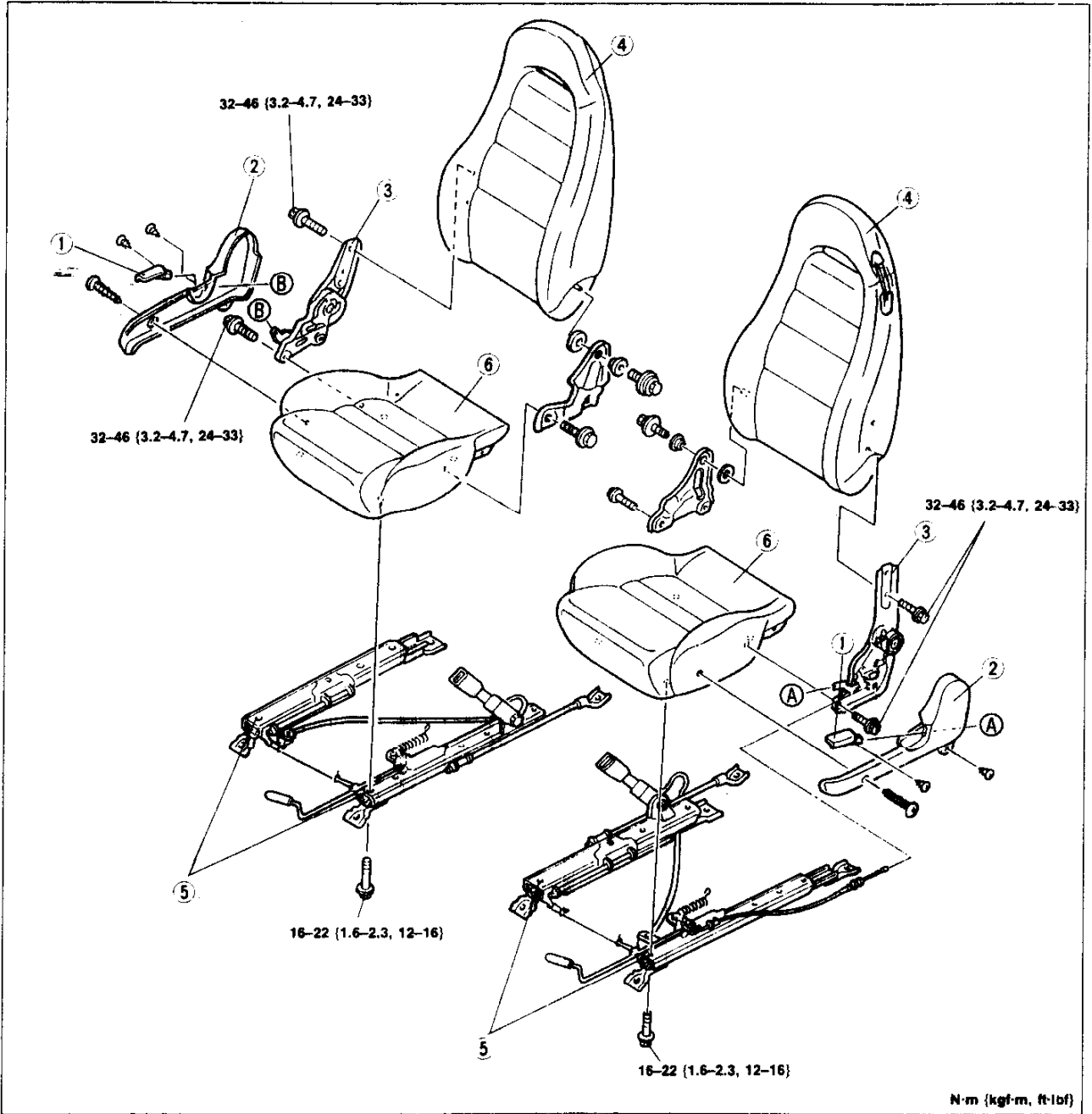
1. Adjuster cover

2. Seat

Disassembly / Assembly ..... page S-66

## Disassembly / Assembly

1. Disassemble in the order shown in the figure, referring to **Disassembly Note**.
2. Assemble in the reverse order of disassembly.



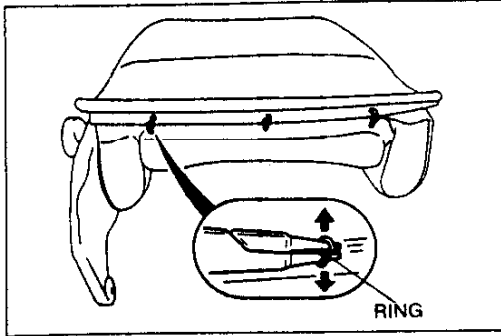
N·m (kgf·m, ft·lbf)

37U05X-688

- 1. Knuckle knob
- 2. Knuckle cover
- 3. Recliner knuckle

- 4. Seat back
- 5. Slide adjuster
- 6. Seat cushion

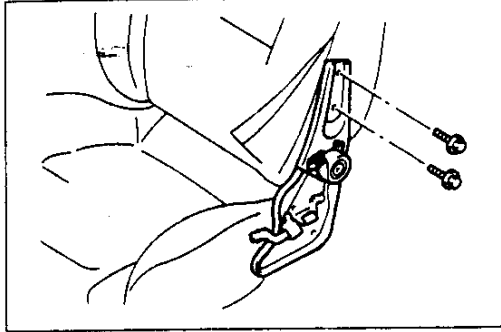
Disassembly Note ..... page S-67



1PESX-310

**Disassembly Note  
Recliner knuckle**

1. Remove the hog rings from the seat back.
2. Turn over the seat back cover to reveal the recliner knuckle mounting bolts.
3. Remove the mounting bolts and the recliner knuckle.



1PE0SX-311

### STORAGE COMPARTMENT

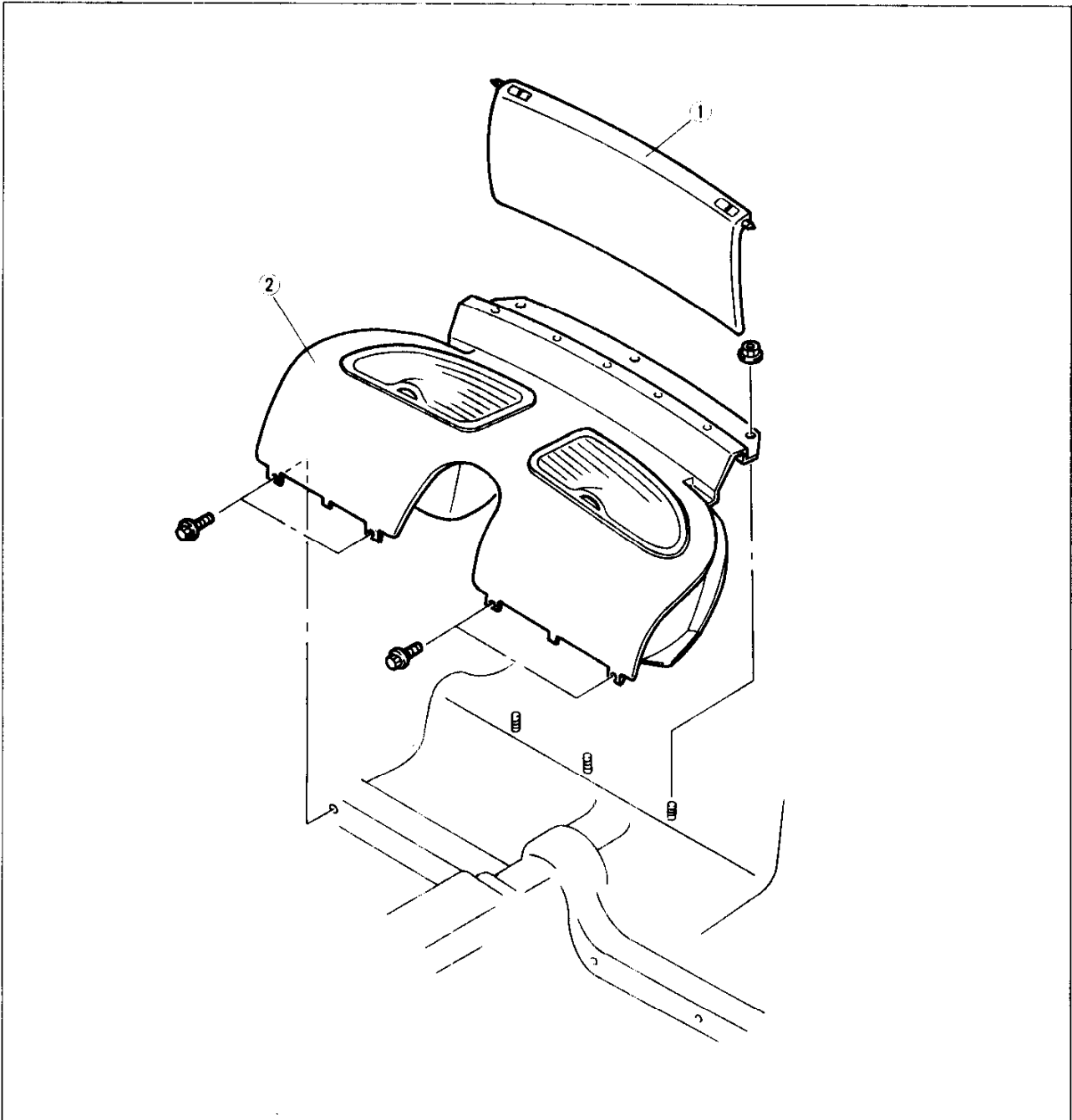
#### COMPONENTS

##### Removal / Installation

1. Remove in the order shown in the figure.
2. Install in the reverse order of removal.

##### Note

- Remove the quarter trim to remove and install the storage compartment. (Refer to page S-56.)



1. Luggage compartment panel

2. Storage compartment