

RX-7

Factory Service Material

This manual can be downloaded for free from
<http://members.xoom.com/twinturboteddy/fsm/rx7.htm>

Or you can donate \$10 to diepat@earthlink.net through **paypal.com** and a gift CD with all manuals and resources I carry will be sent to you.

This includes

- 1993 Factory Service Manual
- 1988 Factory Service Manual
- 1995 Printed Microfiche of all parts
- 1989 Printed Microfiche of all parts*
- 1990 Printed Microfiche of all parts*
- 1986 Printed Microfiche of all parts*
- 1987 Printed Microfiche of all parts*
- 1988 Printed Microfiche of all parts*

The \$10 donation is used to offset the tremendous amount of time it takes to make everything available.



* These works are currently in process and may or not be readily available upon request. They will be hosted on the same link above and for download

PROPELLER SHAFT

OUTLINE 8- 2
 SPECIFICATIONS..... 8- 2
TROUBLESHOOTING GUIDE 8- 2
ON-VEHICLE CHECK 8- 2
PROPELLER SHAFT 8- 3
 REMOVAL AND INSTALLATION..... 8- 3
 INSPECTION..... 8- 4

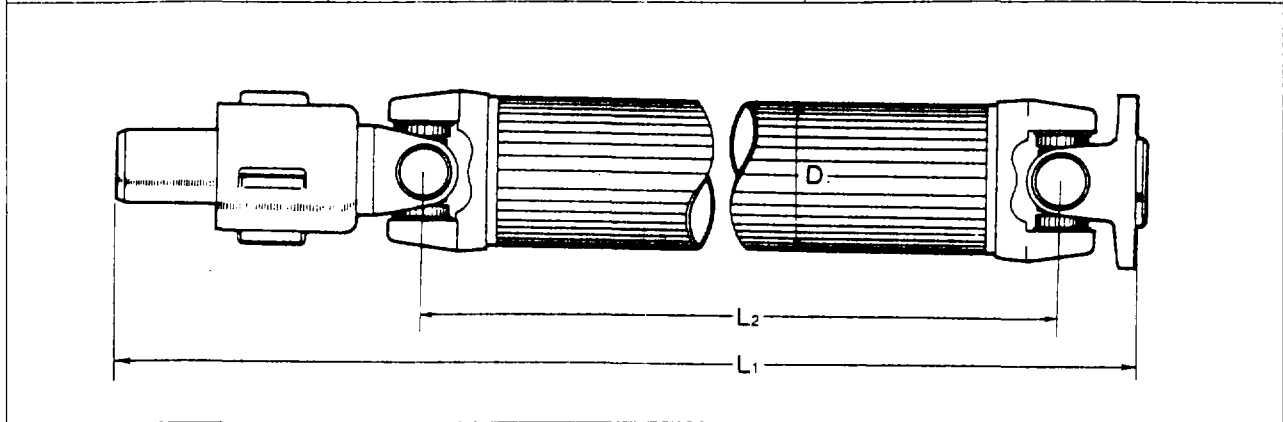
67U08X-001

8 OUTLINE, TROUBLESHOOTING GUIDE

OUTLINE

SPECIFICATIONS

| Item | Manual transmission | | Automatic transmission | | |
|------------------|---------------------|-----------------|------------------------|-----------------|-------------|
| | Turbo model | Non-turbo model | Turbo model | Non-turbo model | |
| Length L1 | mm (in) | 966 (38.03) | 967 (38.07) | — | 913 (35.94) |
| Length L2 | mm (in) | 774 (30.47) | 782 (30.79) | — | 733 (28.86) |
| Outer diameter D | mm (in) | 75 (2.95) | 57 (2.24) | — | 57 (2.24) |

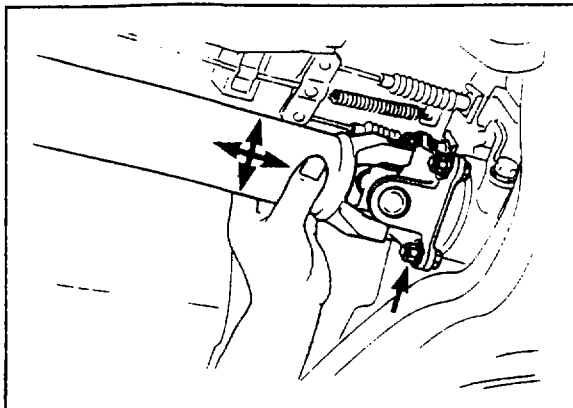


77U08X-101

TROUBLESHOOTING GUIDE

| Problem | Possible Cause | Remedy | Page |
|-----------------------|---------------------------------|---------|------|
| Runout | Worn universal joint | Replace | 8— 4 |
| | Bent propeller shaft | Replace | 8— 4 |
| | Worn slip yoke splines | Replace | 8— 3 |
| Abnormal noise | Worn or damaged universal joint | Replace | 8— 4 |
| | Worn slip yoke splines | Replace | — |

67U08X-007



67U08X-008

ON-VEHICLE CHECK

1. Check for backlash by moving the parts as shown in the figure.
2. Check for looseness of bolts and nuts, and tighten if necessary.

Tightening torque:

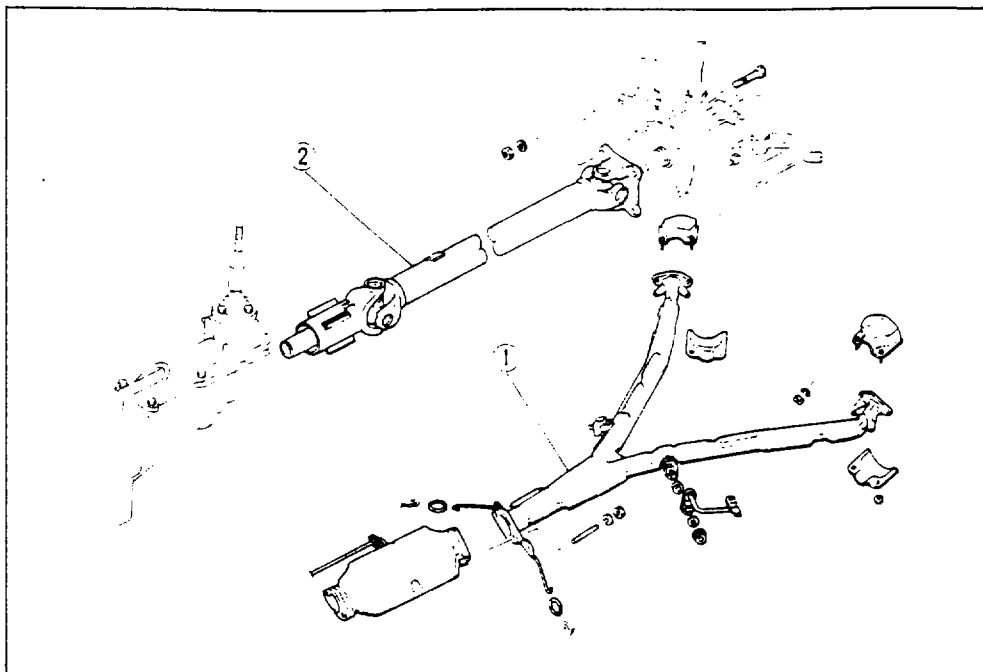
49—59 N·m (5.0—6.0 m·kg, 36—43 ft·lb)

PROPELLER SHAFT

REMOVAL AND INSTALLATION

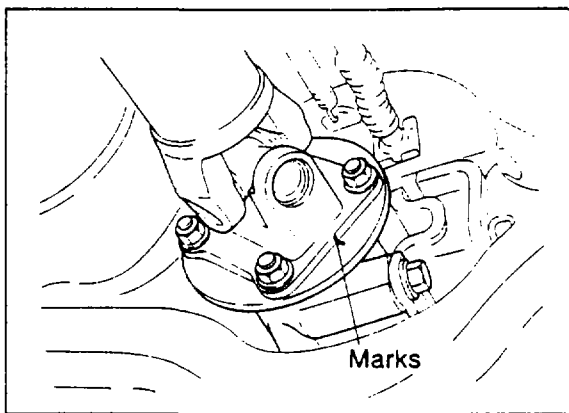
1. Jack up the vehicle and support it on safety stands.
2. Remove in the sequence shown in the figure.
3. Install in the reverse order of removal.

67U08X-002



1. Exhaust pipe
2. Propeller shaft

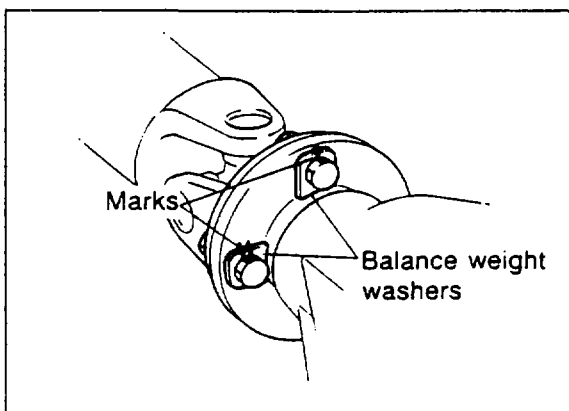
67U08X-003



67U08X-004

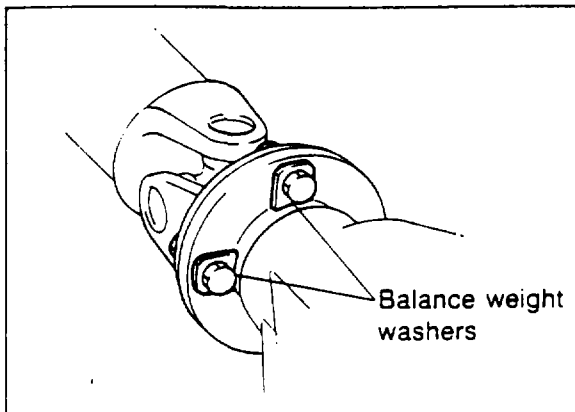
Propeller Shaft

Before removing the propeller shaft, put mating marks on the flanges and balance weight washers. Use the marks for proper reinstallation, to prevent vibration.



67U08X-011

8 PROPELLER SHAFT



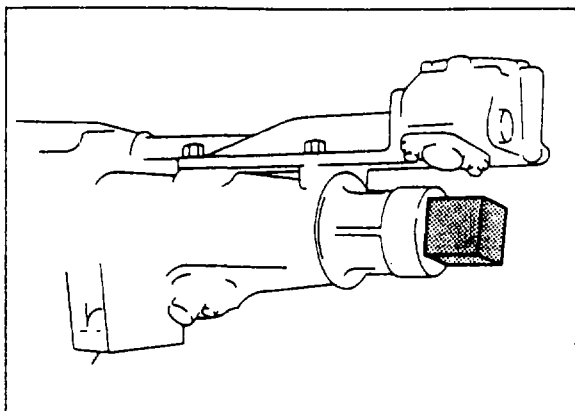
67U08X-012

After replacing the propeller shaft with a new one, drive the vehicle and if noise or vibration occurs from the propeller shaft, adjust with balance weight washers, trying them at various locations on the flange.

Balance weight:

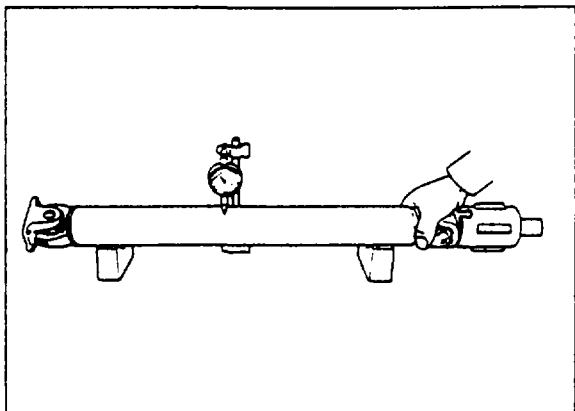
2.2 g (0.08 oz), 3.4 g (0.12 oz)

4.5 g (0.16 oz), 5.6 g (0.20 oz)



67U08X-005

When the propeller shaft is removed from the extension housing, immediately install **main shaft holder** (49 0259 440....M/T, 49 S120 440....A/T) into the extension housing to prevent oil leakage.



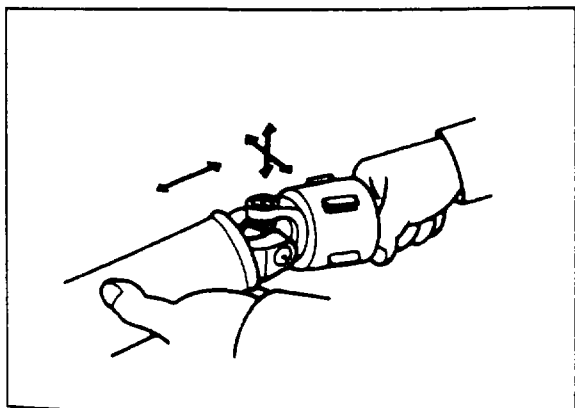
67U08X-009

INSPECTION

Check the following points. If a problem is found replace the propeller shaft assembly.

1. Runout of propeller shaft.

Runout: 0.4 mm (0.016 in) max.



67U08X-010

2. Axial and perpendicular backlash of the universal joint.
3. Condition of universal joint operation.