

SPECIAL TOOLS

ENGINE	40-3
COOLING	40-4
CLUTCH AND MANUAL TRANSMISSION ...	40-4
AUTOMATIC TRANSMISSION	40-5
DIFFERENTIAL	40-6
BRAKE AND REAR AXLE	40-7
STEERING AND SUSPENSION	40-8
OTHER	40-9

GENERAL INFORMATION

The letters "A" and "B" in the Priority column indicate the degree of importance of each tool.

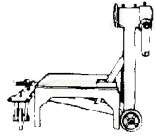
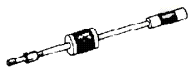
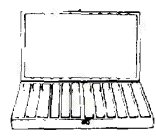
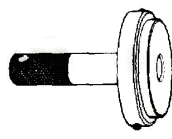

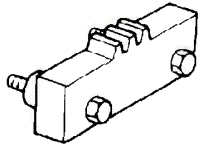
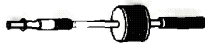
A Indispensable

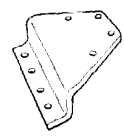
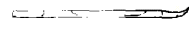
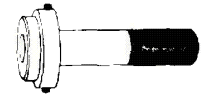


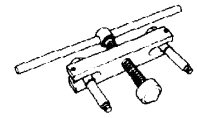
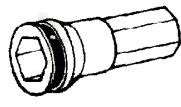
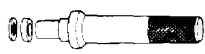
The tools ranked "A" in this list are indispensable for performing operations satisfactorily, easily, and efficiently. It would, therefore, be advisable for all service shops to have these tools.

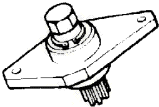
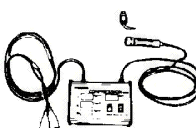
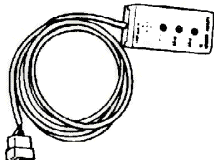
B Selective

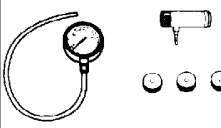
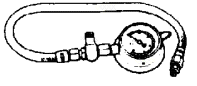
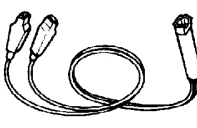
The degree of necessity of the tools in this list is not as high as that of the tools in A, but all service shops should have the tools in B if possible, in order to facilitate operations.

ENGINE

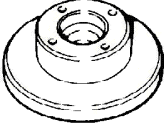
TOOL NUMBER & DESCRIPTION	PRIORITY	ILLUSTRATION
49 0107 680A Engine stand	A	
49 0813 215A Puller, tubular dowel & A/T oil pump	A	
49 0813 250 Seal case	B	
49 0813 240 Puller & installer, rotor bush	A	
49 0820 035 Box wrench, flywheel	A	
49 1881 060 Brake, ring gear (Manual transmission)	A	
49 1285 071 Puller, eccentric shaft bearing	A	
—	—	—


TOOL NUMBER & DESCRIPTION	PRIORITY	ILLUSTRATION
49 1114 005 Hanger, engine stand	A	
49 0813 225 Remover, oil seal	A	
49 0813 235 Puller & installer, main bearing	A	
49 0839 165 Gauge, corner seal	A	
49 1881 055 Stopper, counter weight (Automatic transmission)	A	
49 0839 305A Puller, counter weight and flywheel	A	
49 0839 095 Wrench, plug	B	
49 0823 072A Installer, eccentric shaft bearing	A	

TOOL NUMBER & DESCRIPTION	PRIORI- TY	ILLUSTRATION
49 FA42 065 Flywheel turning tool (Manual Transmission)	A	
49 H075 280 Compression tester	A	
49 G030 920 System checker '83	A	


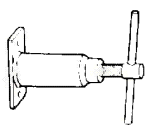
TOOL NUMBER & DESCRIPTION	PRIORI- TY	ILLUSTRATION
49 2113 010B Gauge set, air pump	A	
49 0187 280 Oil pressure gauge	B	
49 9200 040 Injector checker	B	

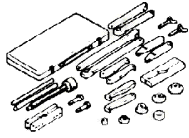

COOLING

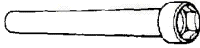

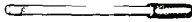
TOOL NUMBER & DESCRIPTION	PRIORI- TY	ILLUSTRATION
49 1975 145 Adapter, water pump pulley	A	


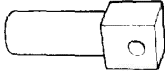
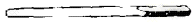
TOOL NUMBER & DESCRIPTION	PRIORI- TY	ILLUSTRATION
49 0823 146 Support block, water pump impeller	A	

CLUTCH AND MANUAL TRANSMISSION

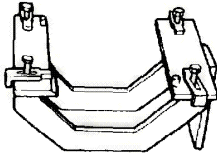
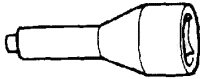
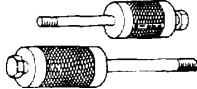
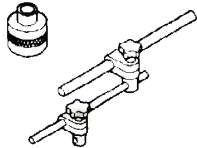
TOOL NUMBER & DESCRIPTION	PRIORI- TY	ILLUSTRATION
49 SE01 310 Centering tool, clutch disc	A	
49 0305 430 Pusher, main drive shaft	A	

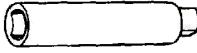
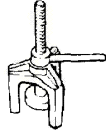
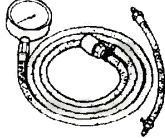
TOOL NUMBER & DESCRIPTION	PRIORI- TY	ILLUSTRATION
49 0839 425C Puller set, bearing	A	
49 0710 520 Puller, bearing	A	

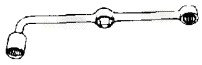
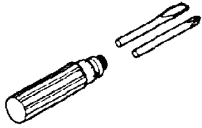

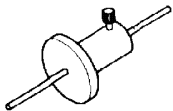
TOOL NUMBER & DESCRIPTION	PRIOR-ITY	ILLUSTRATION
49 1243 465A Wrench, main shaft lock nut	A	
49 0180 321A Installer, main drive gear	A	
49 0862 350 Guide, shift fork ass'y	B	

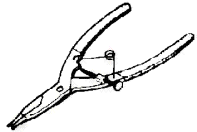
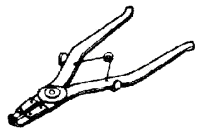
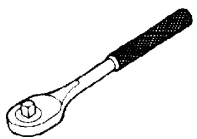
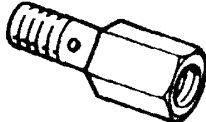
TOOL NUMBER & DESCRIPTION	PRIOR-ITY	ILLUSTRATION
49 0500 330 Installer, transmission bearing	A	
49 0259 440 Turning holder, main shaft	A	
49 0187 451A Guide, interlock pin ass'y	B	

AUTOMATIC TRANSMISSION

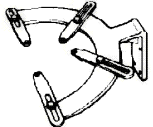

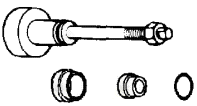
TOOL NUMBER & DESCRIPTION	PRIOR-ITY	ILLUSTRATION
49 H075 495 Hanger, transmission	B	
49 0378 346 Hex-head wrench	A	
49 0378 390 Puller, oil pump	A	
49 2113 025B Assembling gauge, oil pump	A	

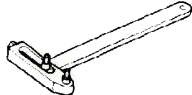


TOOL NUMBER & DESCRIPTION	PRIOR-ITY	ILLUSTRATION
49 0378 345 Socket, extension	A	
49 0378 375 Compressor, clutch spring	A	
49 0378 400A Gauge set, oil pressure	A	
—	—	—

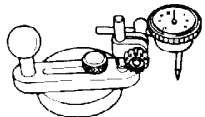
TOOL NUMBER & DESCRIPTION	PRIORI- TY	ILLUSTRATION
49 0877 435 Special wrench	A	
49 8000 021 Torque driver	B	
49 8000 031 Hexagon	B	
49 G032 355 Adjust gauge	B	

TOOL NUMBER & DESCRIPTION	PRIORI- TY	ILLUSTRATION
49 8000 015 Remover, snap ring	B	
49 8000 025 Remover, snap ring	B	
49 8000 035 Spinner handle	B	
49 H075 406 Adapter, oil pressure gauge	A	

DIFFERENTIAL

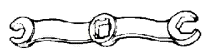
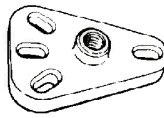
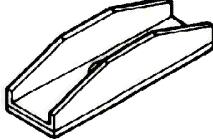
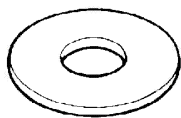
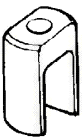
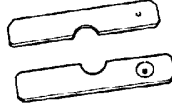
TOOL NUMBER & DESCRIPTION	PRIORI- TY	ILLUSTRATION
49 M005 561 Diff. carrier hanger	A	
49 0259 710A Holder, coupling flange	B	
49 8531 565 Pinion model	A	

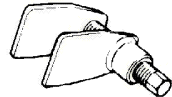


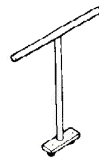
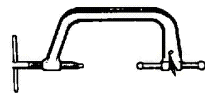
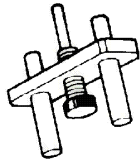
TOOL NUMBER & DESCRIPTION	PRIORI- TY	ILLUSTRATION
49 0259 720 Wrench, diff. side bearing adjust nut	B	
49 0259 730 Wrench, drain plug	B	
49 0305 555 Gauge block	A	

TOOL NUMBER & DESCRIPTION	PRIOR-ITY	ILLUSTRATION
49 0727 570 Gauge body, pinion height adjust	A	

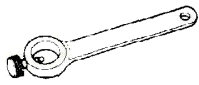
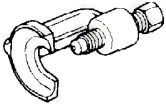
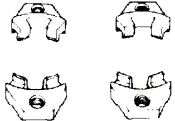
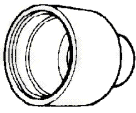
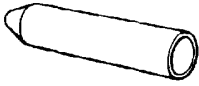


TOOL NUMBER & DESCRIPTION	PRIOR-ITY	ILLUSTRATION
—	—	—

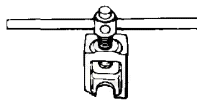
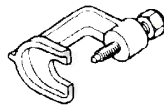
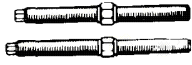
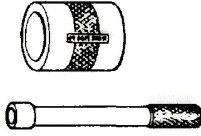
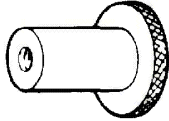

BRAKE AND REAR AXLE

TOOL NUMBER & DESCRIPTION	PRIOR-ITY	ILLUSTRATION
49 0259 770B Spanner, flare nut	A	
49 8501 631 Attachment, rear axle shaft puller	B	
49 8531 746 Separator, bearing	B	
49 0259 748 Attachment, bearing separator	B	
49 FA18 601 Compressor, disc brake spring	A	
49 E301 144 Removing plate	A	

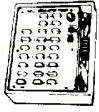
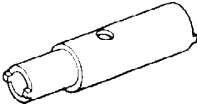
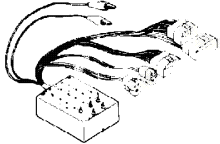
TOOL NUMBER & DESCRIPTION	PRIOR-ITY	ILLUSTRATION
49 0221 600C Expand tool, disc brake	B	
49 0223 630B Puller, rear axle shaft	B	
49 0259 747 Attachment, bearing separator	B	
49 FA18 602 Wrench, disc brake piston	B	
49 0636 100A Arm, valve spring lifter	A	
49 B002 765 Adjust gauge	A	

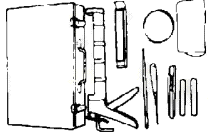
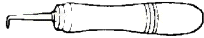
STEERING AND SUSPENSION

TOOL NUMBER & DESCRIPTION	PRIOR- TY	ILLUSTRATION
49 0180 510B Attachment, preload measuring	B	
49 0118 850C Puller, ball joint	B	
49 0223 640B Arm, coil spring compressor	A	
49 8038 785 Boot installer, ball joint dust cover	B	
49 0259 590 Pilot, oil seal	B	
49 1232 670A Gauge set, power steering	A	
49 H002 671 Adaptor (power steering)	A	

TOOL NUMBER & DESCRIPTION	PRIOR- TY	ILLUSTRATION
49 0223 695E Puller, pitman arm	B	
49 0727 575 Puller, socket joint	B	
49 0370 641 Screw, coil spring compressor	A	
49 0419 530 Puller & installer set, lower arm bush	B	
49 8531 605 Adapter, caster camber gauge	B	
49 H075 671 Adapter (power steering)	A	
—	—	—

OTHER

TOOL NUMBER & DESCRIPTION	PRIORI- TY	ILLUSTRATION
49 0839 285 Checker, fuel thermometer	A	
49 8531 855 Nut, wrench	B	
49 9200 030 Logicon checker	B	

TOOL NUMBER & DESCRIPTION	PRIORI- TY	ILLUSTRATION
49 0305 870A Tool set, window (bond type)	A	
49 0208 701A Air out tool, boot	B	
—	—	—