



This document is brought to you through the kind services of

Kevin Wright

krwright@wankel.net

<http://www.wankel.net/~krwright>

who, well, didn't do much this time, since Paul Lee provided the thing already scanned and compiled into a PDF! (Thanks!). Go visit his website: <http://www.iluvmyrx7.com/index.htm> Lots of RX-7 goodness there.

There are several ways to get around in the document. I have provided Bookmarks to all the sections, and thumbnails are also provided in the Thumbnails side bar.

I have also included a label for the spine of a binder, for those who wish to print out all the pages and keep a dead-tree edition handy.☺

The original document is © 1979 Toyo Kogyo Co., Ltd., and remains so. This version is provided as a service for owners of first generation Mazda RX-7s who are having a devil of a time locating the factory service manual for a reasonable price.

If you really want to send me money, email me and I'll tell you where to send it, but it's not necessary. Consider this payback for all the good advice and information gleaned from the various RX-7 email lists!

Subscribe to the Early Mazda Rotaries email list:

Send an email with "subscribe" (without the quotes) to list-request@sa22c.org

See <http://www.dfw-rx7.com> for information on the DFW-RX7 email list.




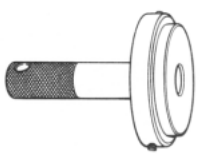

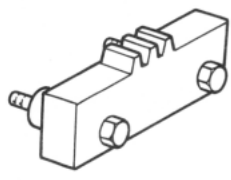
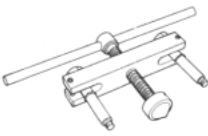
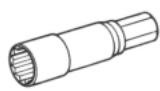
09/16/03

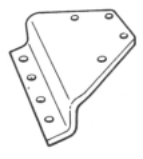

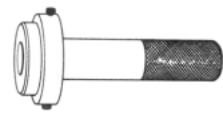


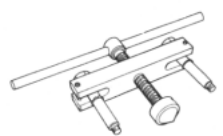
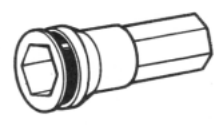

SPECIAL TOOLS

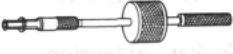
TOOL NUMBER & DESCRIPTION	ILLUSTRATION
49 1114 002 Hanger, engine stand	
49 0813 212 Remover, oil seal	
49 0813 232 Pulley & installer, main bearing	
49 0839 152 Gauge, cover seal	
49 1881 012 Stopper, counter weight	
49 0839 302A Pulley, counter weight	
49 0839 092 Wrench, pin	
49 8201 122 Remover, thermal reactor pin	

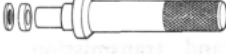
TOOL NUMBER & DESCRIPTION	ILLUSTRATION
49 0107 602A Pegs, stand	
49 0813 212A Pulley, tubular drive & A/T oil pump	
49 0813 250 Seal case	
49 0813 240 Pulley & installer, rotor pump	
49 0810 012 Box wrench, flywheel	
49 1881 012 Block, tag gear	
49 0823 300A Pulley, flywheel	
49 1011 120 Remover, P.C.V. valve	

ENGINE GROUP

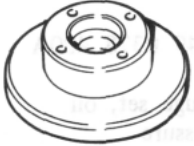
TOOL NUMBER & DESCRIPTION	ILLUSTRATION
49 0107 680A Engine stand	
49 0813 215A Puller, tubular dowel & A/T oil pump	
49 0813 250 Seal case	
49 0813 240 Puller & installer, rotor bush	
49 0820 035 Box wrench, flywheel	
49 1881 060 Brake, ring gear	
49 0823 300A Puller, flywheel	
49 1011 120 Remover, P.C.V. valve	


TOOL NUMBER & DESCRIPTION	ILLUSTRATION
49 1114 005 Hanger, engine stand	
49 0813 225 Remover, oil seal	
49 0813 235 Puller & installer, main bearing	
49 0839 165 Gauge, corner seal	
49 1881 055 Stopper, counter weight	
49 0839 305A Puller, counter weight	
49 0839 095 Wrench, plug	
49 8501 125 Remover, thermal reactor nut	

TOOL NUMBER & DESCRIPTION	ILLUSTRATION
49 1285 071 Puller, eccentric shaft bearing	



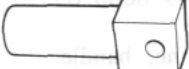

TOOL NUMBER & DESCRIPTION	ILLUSTRATION
49 0823 072A Installer, eccentric shaft bearing	

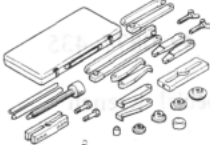
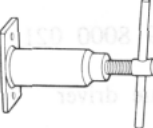
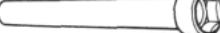

COOLING GROUP

TOOL NUMBER & DESCRIPTION	ILLUSTRATION
49 1975 145 Adapter, water pump pulley	


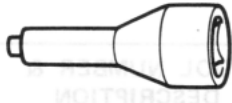
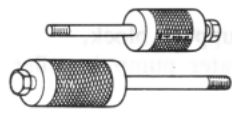
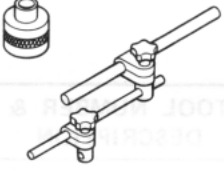
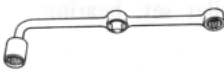


TOOL NUMBER & DESCRIPTION	ILLUSTRATION
49 0823 146 Support block, water pump impeller	

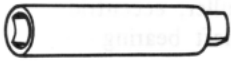
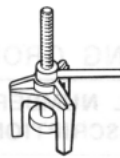

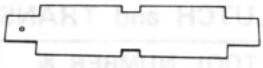



CLUTCH and TRANSMISSION (Manual) GROUP

TOOL NUMBER & DESCRIPTION	ILLUSTRATION
49 0813 310 Centering tool, clutch disk	
49 0500 330 Installer, transmission bearing	
49 0259 440 Turning holder, main shaft	
49 0862 350 Guide, shift fork ass'y	




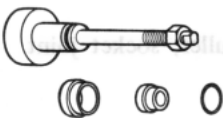
TOOL NUMBER & DESCRIPTION	ILLUSTRATION
49 0839 425C Puller set, bearing	
49 0305 430 Pusher, main drive shaft	
49 1243 465A Wrench, main shaft lock nut	
49 0187 451A Guide, interlock pin ass'y	




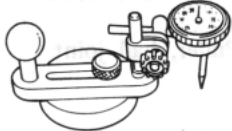
AUTOMATIC TRANSMISSION GROUP

TOOL NUMBER & DESCRIPTION	ILLUSTRATION
49 0378 320A Stand, transmission case	
49 0378 346 Hex-head wrench	
49 0378 390 Puller, oil pump	
49 2113 025A Assembling gauge, oil pump	
49 0877 435 Special wrench	
49 8000 021 Torque driver	
49 8000 031 Hexagon	

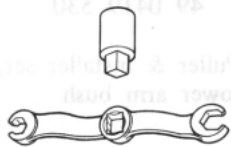


TOOL NUMBER & DESCRIPTION	ILLUSTRATION
49 0378 345 Socket, extension	
49 0378 375 Compressor, clutch spring	
49 0378 400A Gauge set, oil pressure	
49 0378 480 Confirmation gauge	
49 8000 015 Remover, snap ring	
49 8000 025 Remover, snap ring	
49 8000 035 Spinner handle	

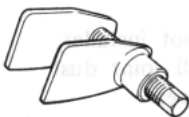

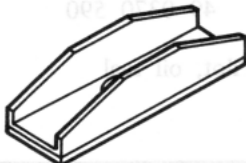
DIFFERENTIAL GROUP


TOOL NUMBER & DESCRIPTION	ILLUSTRATION
49 0419 561 Attachment, engine stand	
49 0259 710A Holder, coupling flange	
49 0259 730 Wrench, drain plug	
49 8531 565 Pinion model	


TOOL NUMBER & DESCRIPTION	ILLUSTRATION
49 0223 561A Attachment, diff. work	
49 0259 720 Wrench, diff. side bearing adjust nut	
49 0305 555 Gauge block	
49 0727 570 Gauge body, pinion height adjust	

BRAKE and REAR AXLE GROUP



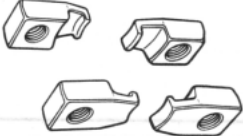

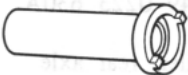
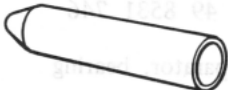
TOOL NUMBER & DESCRIPTION	ILLUSTRATION
49 0259 770A Spanner, flare nut	
49 0111 531B Spanner, brake shoe anchor pin adjust	
49 8501 631 Attachment, rear axle shaft puller	

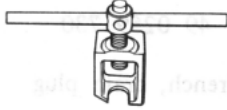
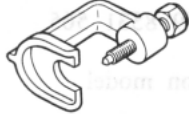

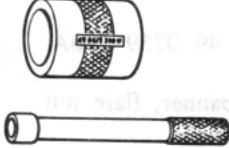

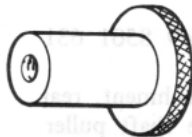
TOOL NUMBER & DESCRIPTION	ILLUSTRATION
49 0221 600C Expand tool, disc brake	
49 0223 630A Puller, rear axle shaft	
49 8531 746 Separator, bearing	

TOOL NUMBER & DESCRIPTION	ILLUSTRATION
49 0259 748 Attachment, bearing separator	

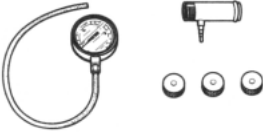

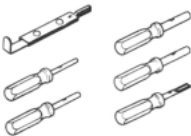
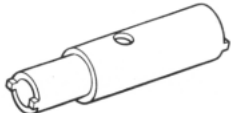

TOOL NUMBER & DESCRIPTION	ILLUSTRATION
49 0259 747 Attachment, bearing separator	

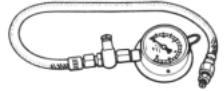
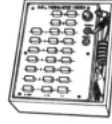
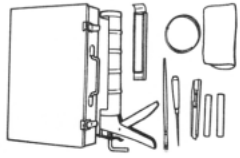
STEERING and SUSPENSION GROUP

TOOL NUMBER & DESCRIPTION	ILLUSTRATION
49 0180 510A Attachment, steering worm bearing preload measuring	
49 0118 850C Puller, ball joint	
49 0223 640A Arm, coil spring compressor	
49 8038 785 Boot installer, ball joint dust cover	
49 0259 700A Box wrench, cap nut - shock absorber	
49 0370 590 Pilot, oil seal	

TOOL NUMBER & DESCRIPTION	ILLUSTRATION
49 0223 695E Puller, pitman arm	
49 0727 575 Puller, socket joint	
49 0370 641 Screw, coil spring compressor	
49 0419 530 Puller & installer set, lower arm bush	
49 0259 702 Remover, damper hook nut	
49 8531 605 Adapter, caster camber gauge	

TESTER and OTHER GROUP

TOOL NUMBER & DESCRIPTION	ILLUSTRATION
<p>49 2113 010B Gauge set, air pump</p>	
<p>49 0820 280K Compression tester</p>	
<p>49 0419 775A Push tool set</p>	
<p>49 8531 855 Nut wrench</p>	
<p>49 8343 869 Driver, M.A.S. adjuster</p>	

TOOL NUMBER & DESCRIPTION	ILLUSTRATION
<p>49 0187 280 Oil pressure gauge</p>	
<p>49 0839 285 Checker, fuel thermometer</p>	
<p>49 0305 870A Tool set, window (Bond type)</p>	
<p>49 0208 701A Air out tool, boot</p>	