



This document is brought to you through the kind services of

Kevin Wright

krwright@wankel.net

<http://www.wankel.net/~krwright>

who laboriously scanned, post-processed, Distilled, and organized the original 1979 (1978 printing) wiring diagram provided by myself.

There are several ways to get around in the document. I have provided Bookmarks to all the sections and subsections, and thumbnails are also provided in the Thumbnails side bar.

Only a few of the pages in the original document were of the fold-out variety, and only two really needed to be split into multiple documents. These pages have been provided in full sheet and segmented versions, as indicated in the Bookmarks. These pages probably should be printed out on 11" x 17" paper if available, but are still readable on 8.5" x 11" paper. You could also print out the segmented versions and attach them together, if so desired (or not. Whatever you want, eh?)

I have also included a label for the spine of a binder, for those who wish to print out all the pages and keep a dead-tree edition handy. ☺

The original document is © 1978 Toyo Kogyo Co., Ltd., and remains so. This version is provided as a service for owners of first generation Mazda RX-7s who are having a devil of a time locating the factory wiring guide for a reasonable price.

If you really want to send me money, email me and I'll tell you where to send it, but it's not necessary. Consider this payback for all the good advice and information gleaned from the various RX-7 email lists!

Subscribe to the Early Mazda Rotaries email list:
Send an email with "subscribe" (without the quotes) to list-request@sa22c.org

See <http://www.dfw-rx7.com> for information on the DFW-RX7 email list.

05/14/02

Mazda RX-7

1979
Wiring Diagram

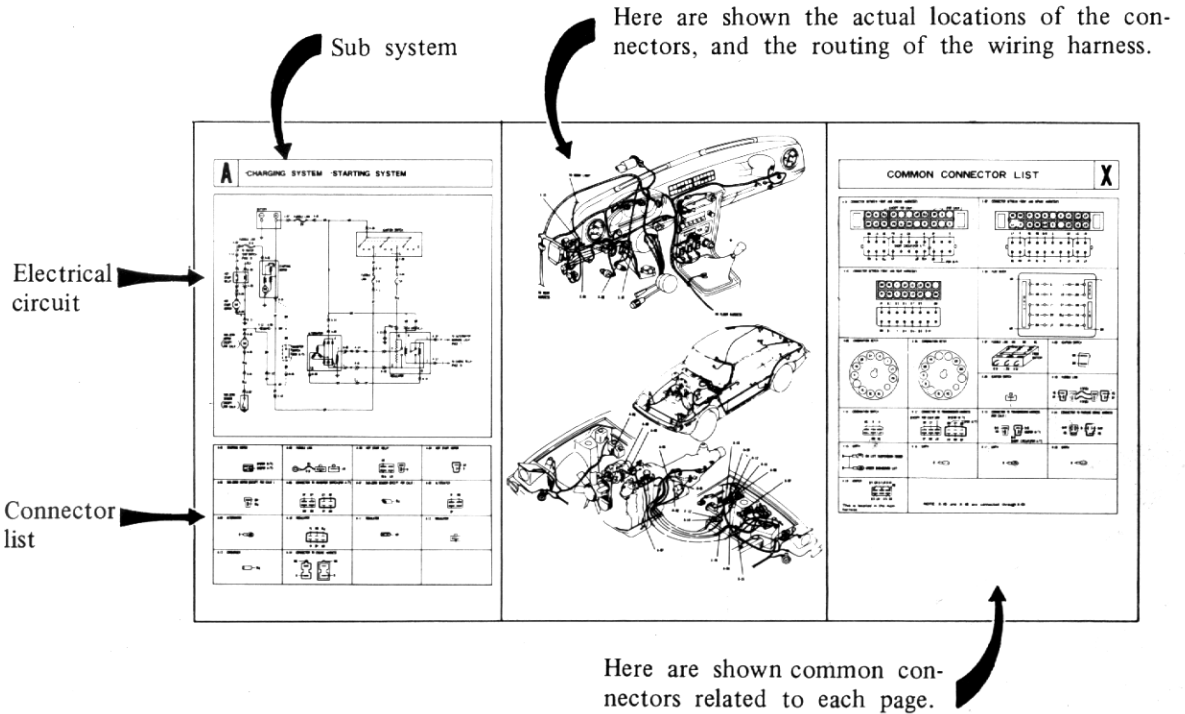
mazda

INTRODUCTION

In this booklet, the whole electrical system is divided into sub systems, such as charging system, ignition system, and so on.

Index shows on which page the sub system is found and which page each component belong to. Each system is shown on right and left pages. The upper part of the left page shows the electrical circuit and the lower part shows the configuration of each connector. Right page shows the actual location of each connector and the routing of the harness in the vehicle. The last page X shows the common connectors related to each sub system.

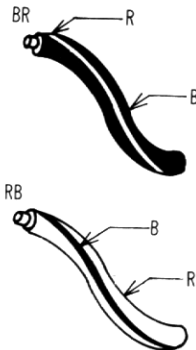
All informations in this booklet are best available at the time of printing. Toyo Kogyo reserves right to make changes in circuit and specifications without previous notice.



WIRING CODE:

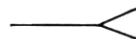
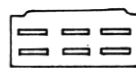
The first alphabet indicates the basic color for the wire, and the second alphabet indicates the stripe color.

CODE	
B	BLACK
Br	BROWN
G	GREEN
Gy	GRAY
L	BLUE
Lb	LIGHT BLUE
Lg	LIGHT GREEN
O	ORANGE
R	RED
W	WHITE
Y	YELLOW



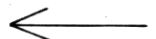
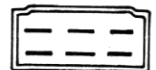
CONNECTOR TYPE

FEMALE



FEMALE

MALE



MALE

INDEX

SUB SYSTEM	PAGE
• CHARGING SYSTEM • STARTING SYSTEM	A
• EMISSION CONTROL SYSTEM • KICK-DOWN SYSTEM	B
• IGNITION SYSTEM • FUEL PUMP	
• METER & WARNING SYSTEM	C
• WIPER & WASHER SYSTEM	D
• HEADLIGHT & ILLUMINATION SYSTEM	E
• SIGNAL LIGHT SYSTEM • HORN	F
• HEATER SYSTEM • RADIO • STEREO	G
• HEATED WINDOW SYSTEM • POWER ANTENNA	
• SEAT BELT WARNING SYSTEM • ROOM & MAP LIGHT	H
• AUTO CLOCK • CIGARETTE LIGHTER • GLOVE BOX LIGHT	
• GLASS HATCH RELEASE SYSTEM	

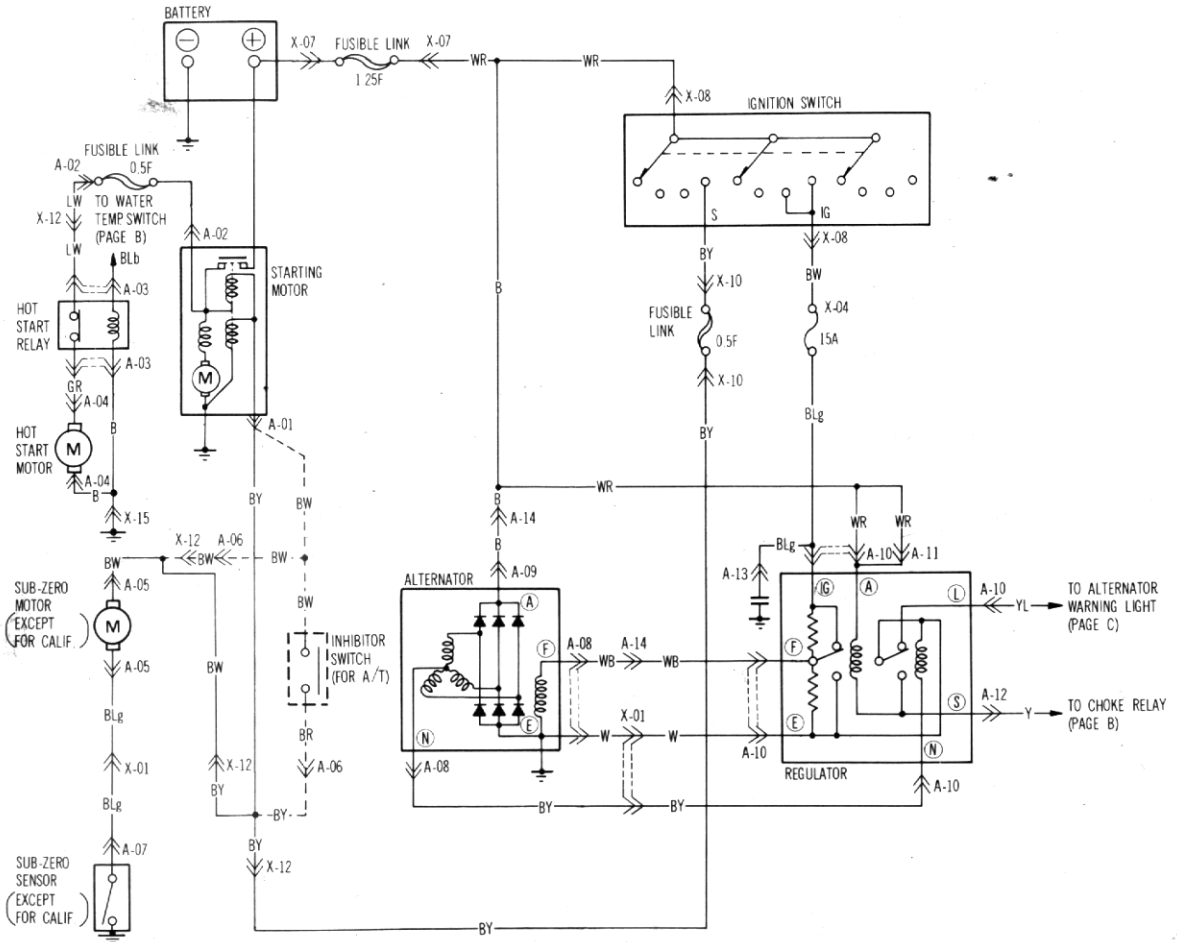
COMPONENT	PAGE	COMPONENT	PAGE
AIR CON. RELAY	B	COOLANT LEVEL SENSOR	C
AIR CON. SOLENOID VALVE	B	COOLANT LEVEL UNIT	C
AIR VENT VALVE	B	COOLANT LEVEL WARNING LIGHT	C
ALTERNATOR	A	DIODE	H
ALTERNATOR WARNING LIGHT	C	DISTRIBUTOR	B
ANTI AFTERBURN VALVE	B	DISTRIBUTOR RELAY	B
AUTO CLOCK	H	DOOR SWITCH	H
BACK-UP LIGHT	F	EMISSION CONTROL UNIT	B
BACK-UP LIGHT SWITCH	F	EXTERNAL RESISTOR	B
BATTERY	A ~ H	FLASHER UNIT	F
BLOWER MOTOR	G	FUEL GAUGE	C
BLOWER MOTOR RESISTOR	G	FUEL GAUGE TANK UNIT	C
BLOWER MOTOR SWITCH	G	FUEL PUMP	B
BRAKE FLUID LEVEL SENSOR	C	FULL CHOKE SWITCH	B
BRAKE WARNING LIGHT	C	FUSIBLE LINK	
BRAKE WARNING LIGHT CHECKER	C	HEADLIGHT	E
CARBURETOR HEATER	B	HOT START	A
CHOKE MAGNET	B	IGNITION COIL	B
CHOKE RELAY	B	MAIN	A ~ H
CHOKE SWITCH	B	RETRACTABLE HEADLIGHT MOTOR	E
CIGARETTE LIGHTER	H	STARTING MOTOR	A, B
COASTING VALVE	B	GLASS HATCH RELEASE MOTOR	H
COMBINATION SWITCH		GLASS HATCH RELEASE SWITCH	H
DIMMER SWITCH	E, F	GLOVE BOX LIGHT	H
HAZARD SWITCH	F	GLOVE BOX LIGHT SWITCH	H
LIGHT SWITCH	E, F	HEADLIGHT	E
PASSING SWITCH	E, F	HEATED WINDOW	G
TURN SIGNAL SWITCH	F		
WASHER SWITCH	D		
WIPER SWITCH	D		


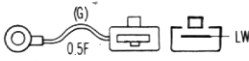
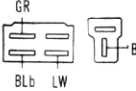


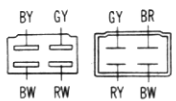

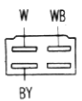
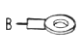
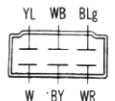

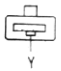
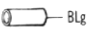
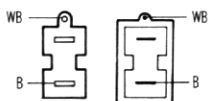
INDEX

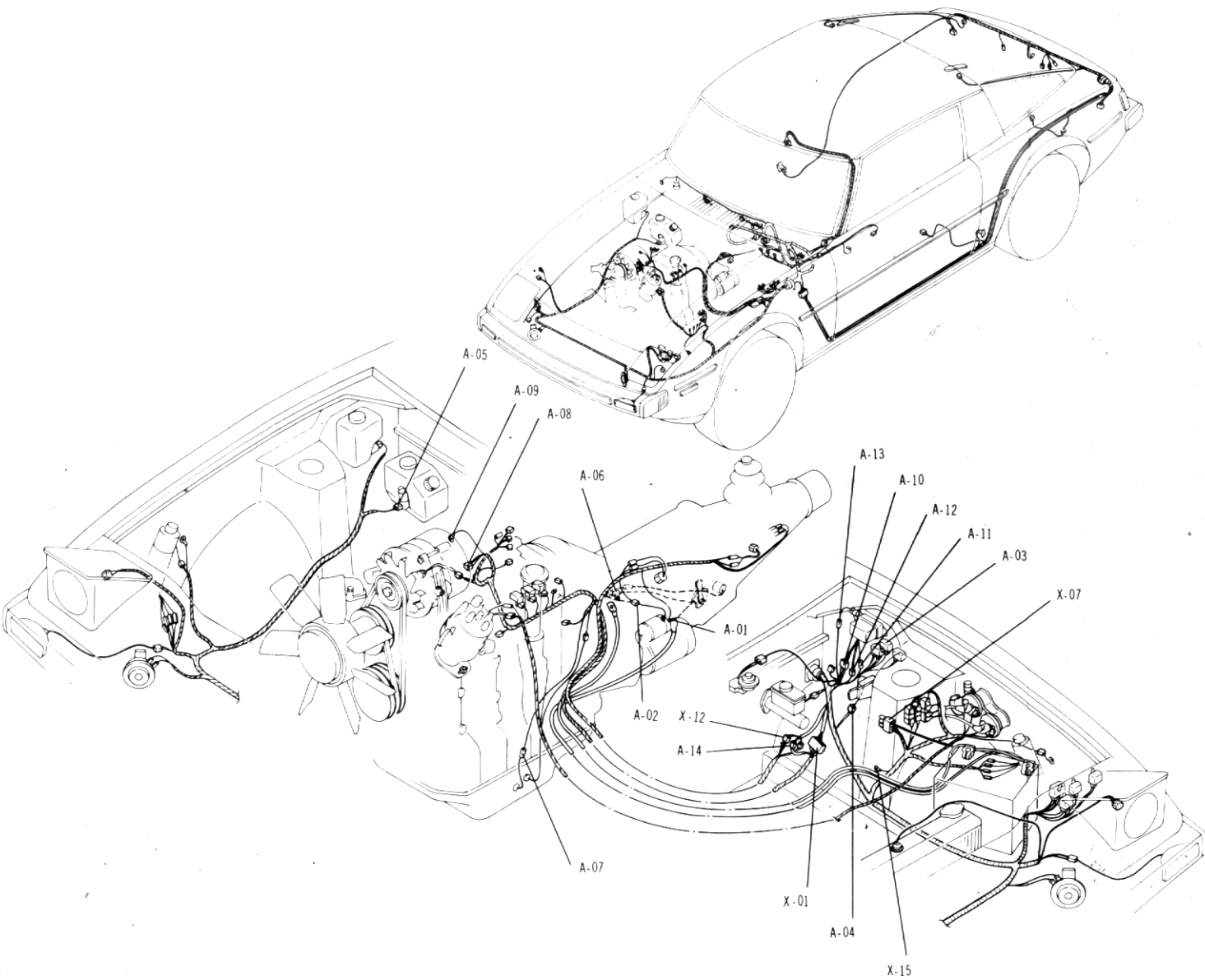
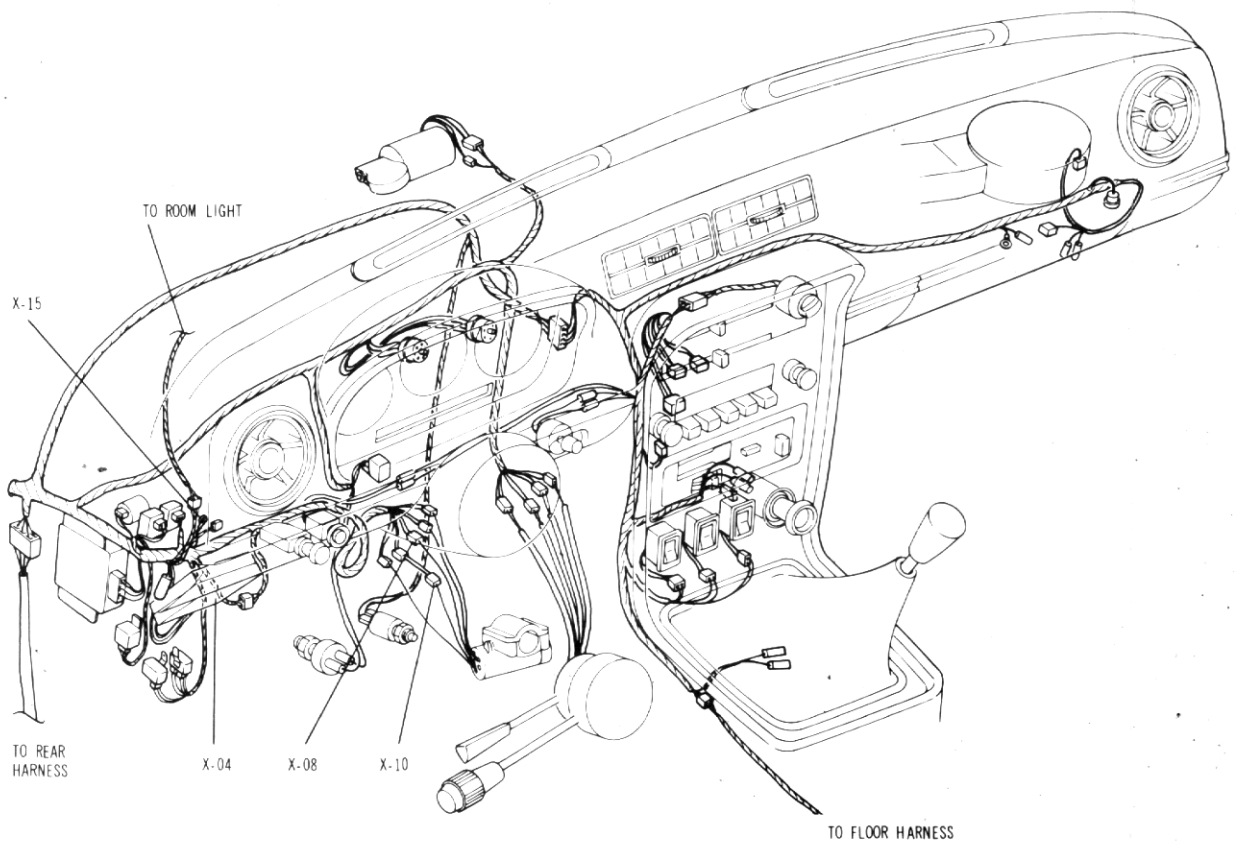
COMPONENT	PAGE	COMPONENT	PAGE
HEATED WINDOW INDICATOR LIGHT	G	RADIO	G
HEATED WINDOW RELAY	G	REGULATOR	A
HEATED WINDOW SWITCH	G	RETARD RELAY	B
HIGH BEAM INDICATOR LIGHT	E	RETRACTABLE HEADLIGHT MOTOR	E
HORN	F	RETRACTABLE HEADLIGHT SWITCH	E
HORN SWITCH	F	RETRACTOR INDICATOR LIGHT	E
HOT START MOTOR	A	RICHER SOLENOID VALVE	B
HOT START RELAY	A	ROOM LIGHT & SWITCH	H
IDLE SWITCH	B	SEAT BELT SWITCH	H
IGNITION COIL	B	SEAT BELT TIMER	H
IGNITION KEY REMINDER SWITCH	H	SEAT BELT WARNING BUZZER	H
IGNITION RELAY	B	SEAT BELT WARNING LIGHT	H
IGNITION SWITCH	A ~ D, F ~ H	SHORT RELAY	B
ILLUMINATION LIGHT	E	SIDE MARKER LIGHT	H
INHIBITOR SWITCH	A, F	SPEAKER	G
INTERMITTENT RELAY	D	STARTING MOTOR	A
		STEREO	G
KICK-DOWN RELAY	B	STOP LIGHT SWITCH	F
KICK-DOWN SOLENOID	B	STOP & TAIL LIGHT	F
KICK-DOWN SWITCH	B	SUB-ZERO MOTOR	A
		SUB-ZERO SENSOR	A
LICENSE LIGHT	F		
		TACHOMETER	C
MAP LIGHT & SWITCH	H	TOP SWITCH	B
		TURN SIGNAL INDICATOR LIGHT	F
NO. 2 RELIEF SOLENOID VALVE	B	TURN SIGNAL LIGHT	F
OIL LEVEL SENSOR	C	VACUUM CONTROL VALVE	B
OIL LEVEL WARNING LIGHT	C	VACUUM SWITCH	B
OVER DRIVE SWITCH	B	VOLTAGE REGULATOR	C
PANEL LIGHT RESISTOR	E	WASHER MOTOR	D
PARKING BRAKE SWITCH	C	WATER TEMP. GAUGE	C
PARKING LIGHT	F	WATER TEMP. GAUGE UNIT	C
POWER ANTENNA MOTOR	G	WATER TEMP. SWITCH	B
POWER ANTENNA SWITCH	G	WIPER MOTOR	D
POWER SOLENOID VALVE	B		

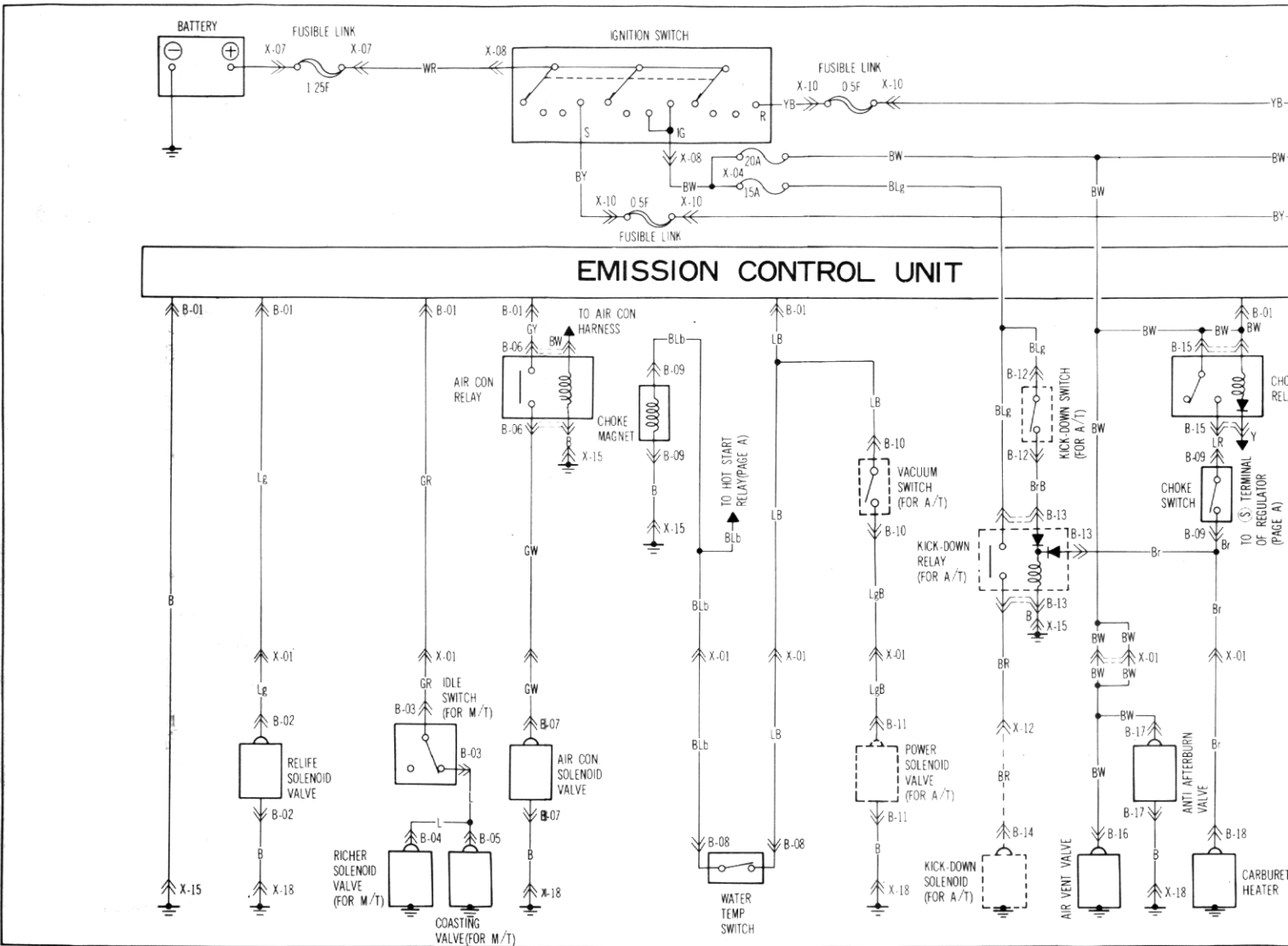
A

·CHARGING SYSTEM ·STARTING SYSTEM



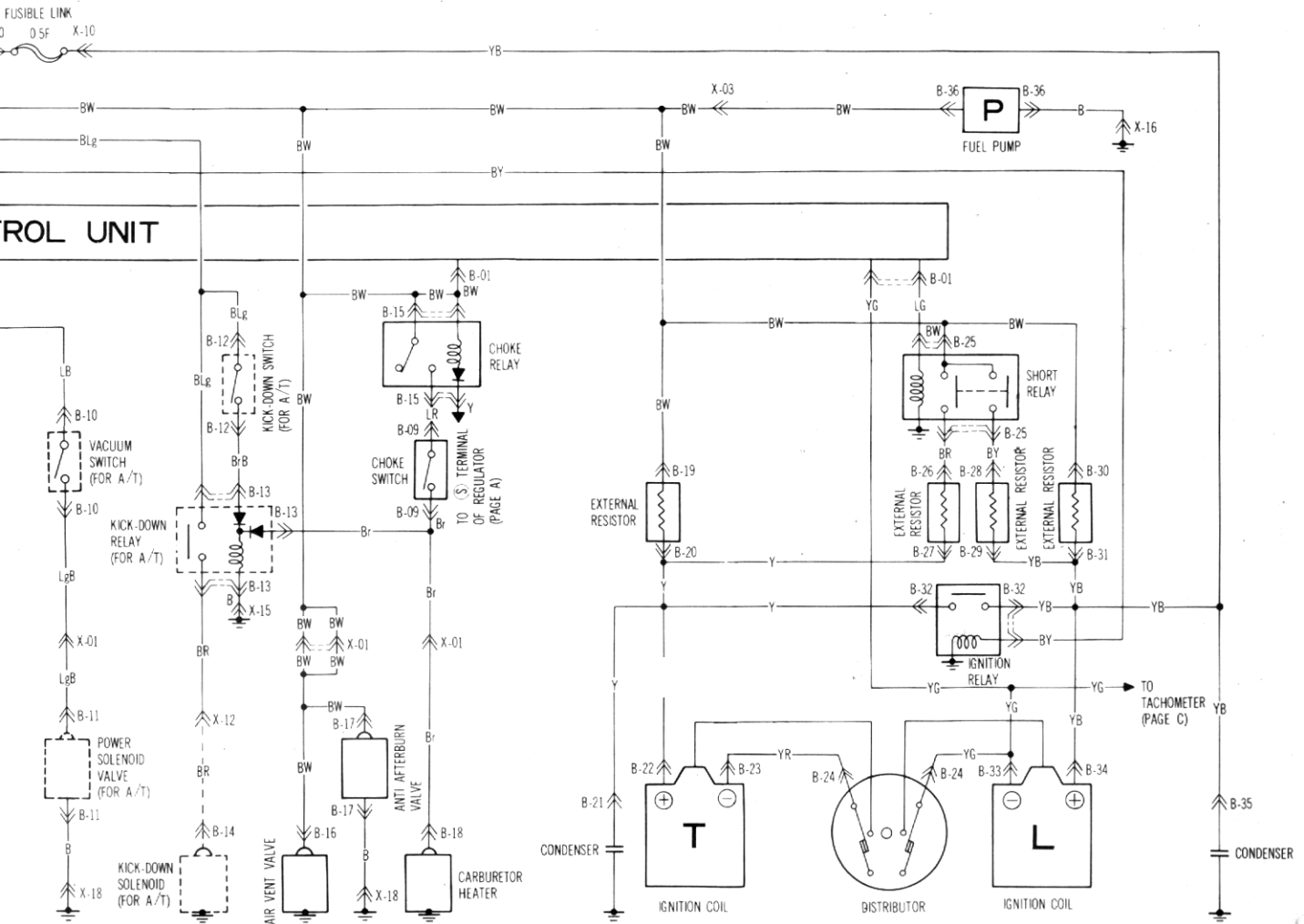
<p>A-01 STARTING MOTOR</p> 	<p>A-02 FUSIBLE LINK</p> 	<p>A-03 HOT START RELAY</p> 	<p>A-04 HOT START MOTOR</p> 
<p>A-05 SUB-ZERO MOTOR (EXCEPT FOR CALIF.)</p> 	<p>A-06 CONNECTOR TO INHIBITOR SWITCH (FOR A/T)</p> 	<p>A-07 SUB-ZERO SENSOR (EXCEPT FOR CALIF.)</p> 	<p>A-08 ALTERNATOR</p> 
<p>A-09 ALTERNATOR</p> 	<p>A-10 REGULATOR</p> 	<p>A-11 REGULATOR</p> 	<p>A-12 REGULATOR</p> 
<p>A-13 CONDENSER</p> 	<p>A-14 CONNECTOR TO ENGINE HARNESS</p> 		



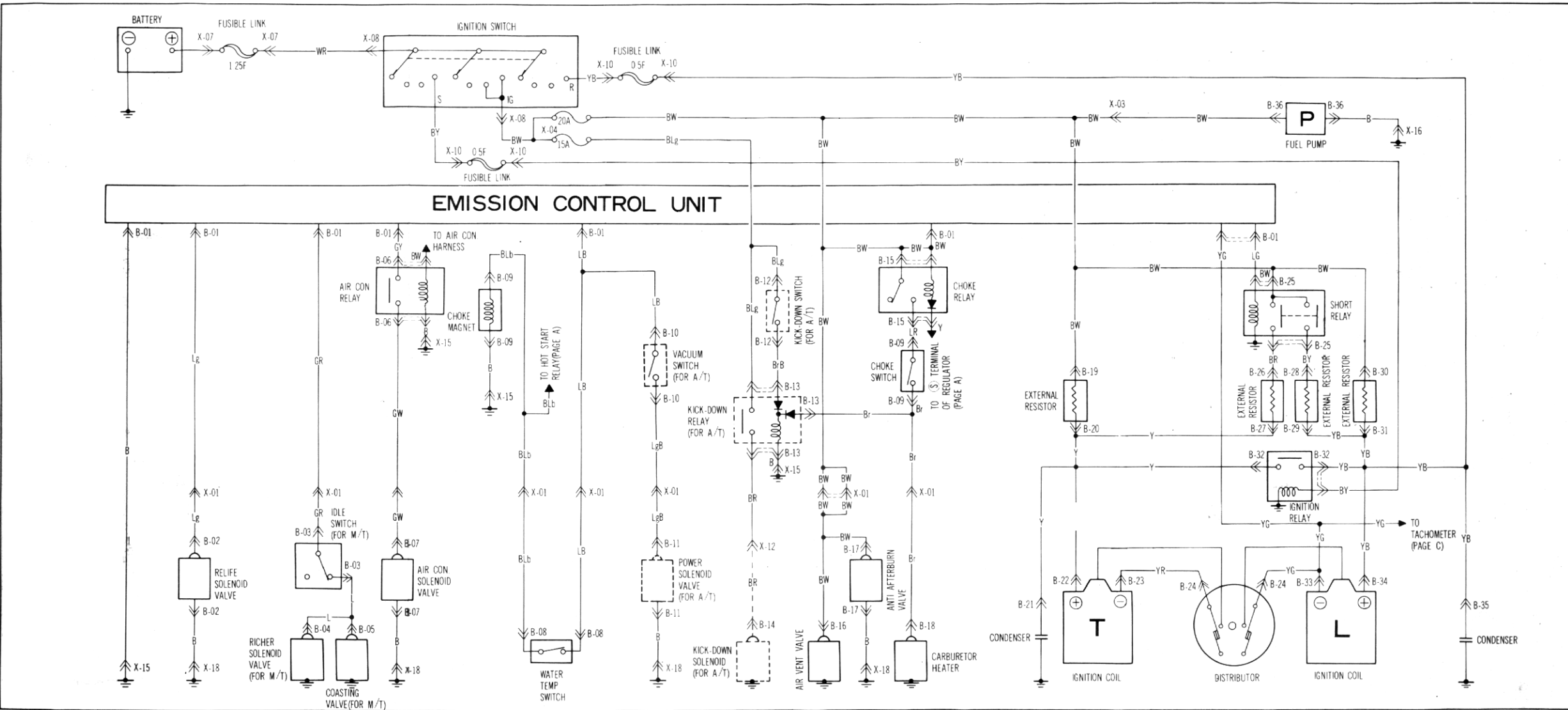


<p>B-01 EMISSION CONTROL UNIT</p>	<p>B-02 RELIEF SOLENOID VALVE</p>	<p>B-03 IDLE SWITCH (FOR M/T)</p>	<p>B-04 RICHER SOLENOID VALVE (FOR M/T)</p>	<p>B-05 COASTING VALVE (FOR M/T)</p>
<p>B-16 AIR VENT VALVE</p>	<p>B-17 ANTI AFTERBURN VALVE</p>	<p>B-18 CARBURETOR HEATER</p>	<p>B-19 EXTERNAL RESISTOR</p>	<p>B-20 EXTERNAL RESISTOR</p>
<p>B-25 SHORT RELAY</p>	<p>B-26 EXTERNAL RESISTOR</p>	<p>B-27 EXTERNAL RESISTOR</p>	<p>B-28 EXTERNAL RESISTOR</p>	<p>B-29 EXTERNAL RESISTOR</p>
<p>B-34 ⊕ TERMINAL OF IGNITION COIL (T)</p>	<p>B-35 CONDENSER</p>	<p>B-36 FUEL PUMP</p>		
<p>B-21 CONDENSER</p>	<p>B-30 EXTERNAL RESISTOR</p>			

KICK-DOWN SYSTEM · FUEL PUMP · IGNITION SYSTEM

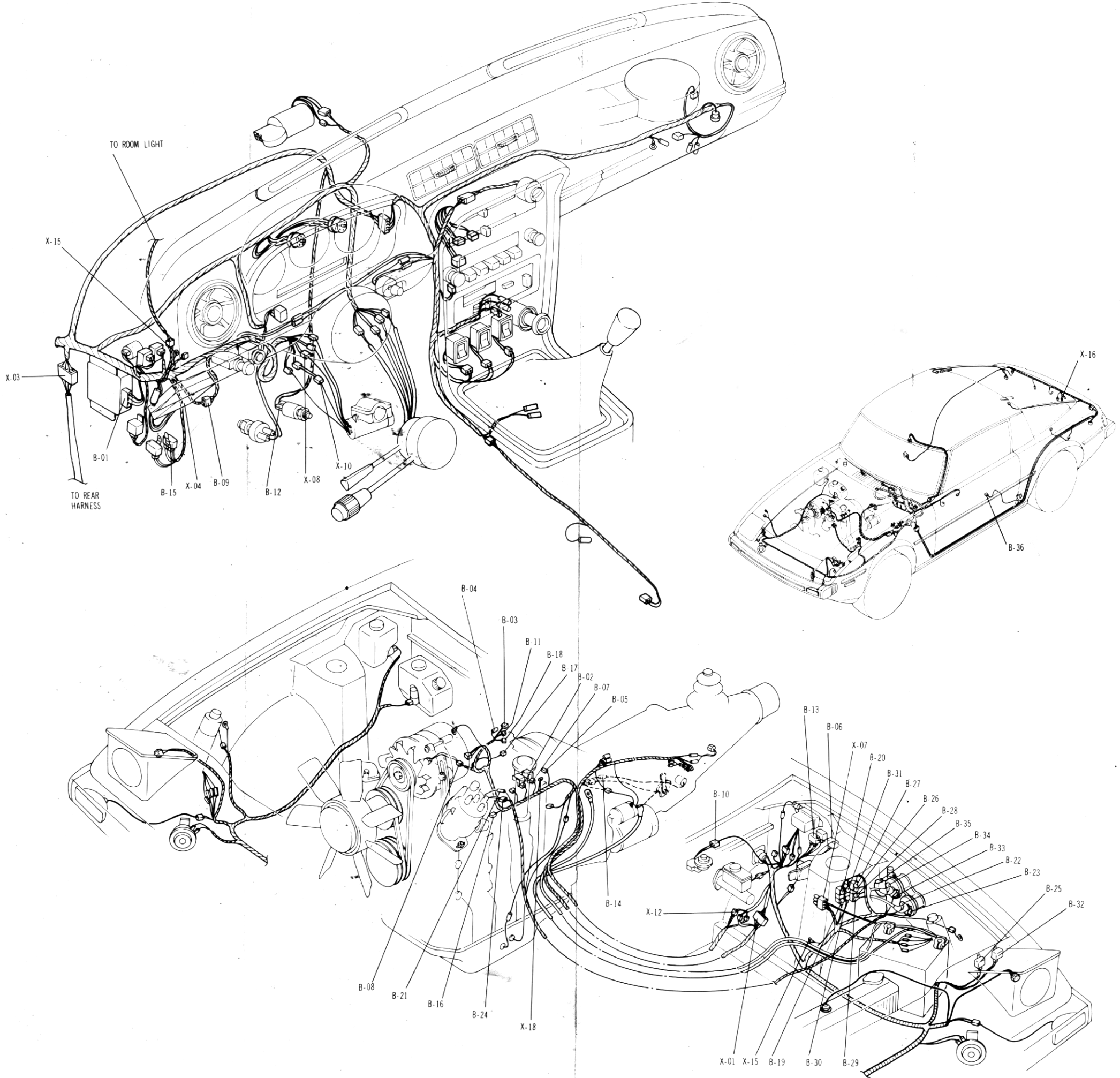


B-04 RICHER SOLENIOD VALVE(FOR M/T)	B-05 COASTING VALVE(FOR M/T)	B-06 AIR CON RELAY	B-07 AIR CON SOLENIOD VOLTAGE	B-08 WATER TEMP SWITCH
B-11 POWER SOLENIOD VALVE(FOR A/T)	B-12 KICK-DOWN SWITCH(FOR A/T)	B-13 KICK-DOWN RELAY(FOR A/T)	B-14 KICK-DOWN SOLENIOD(FOR A/T)	B-15 CHOKE RELAY
B-20 EXTERNAL RESISTOR	B-21 CONDENSER	B-22 ⊕ TERMINAL OF IGNITION COIL(T)	B-23 ⊖ TERMINAL OF IGNITION COIL(T)	B-24 DISTRIBUTOR
B-29 EXTERNAL RESISTOR	B-30 EXTERNAL RESISTOR	B-31 EXTERNAL RESISTOR	B-32 IGNITION RELAY	B-33 ⊖ TERMINAL OF IGNITION COIL(L)



B-01 EMISSION CONTROL UNIT 	B-02 RELIEF SOLENOID VALVE 	B-03 IDLE SWITCH (FOR M/T) 	B-04 RICHER SOLENOID VALVE (FOR M/T) 	B-05 COASTING VALVE (FOR M/T) 	B-06 AIR CON RELAY 	B-07 AIR CON SOLENOID VALVE 	B-08 WATER TEMP SWITCH 	
B-09 CHOKE SWITCH 	B-10 VACUUM SWITCH (FOR A/T) 	B-11 POWER SOLENOID VALVE (FOR A/T) 	B-12 KICK-DOWN SWITCH (FOR A/T) 	B-13 KICK-DOWN RELAY (FOR A/T) 	B-14 KICK-DOWN SOLENOID (FOR A/T) 	B-15 CHOKE RELAY 		
B-16 AIR VENT VALVE 	B-17 ANTI-AFTERBURN VALVE 	B-18 CARBURETOR HEATER 	B-19 EXTERNAL RESISTOR 	B-20 EXTERNAL RESISTOR 	B-21 CONDENSER 	B-22 ⊕ TERMINAL OF IGNITION COIL (T) 	B-23 ⊖ TERMINAL OF IGNITION COIL (T) 	B-24 DISTRIBUTOR
B-25 SHORT RELAY 	B-26 EXTERNAL RESISTOR 	B-27 EXTERNAL RESISTOR 	B-28 EXTERNAL RESISTOR 	B-29 EXTERNAL RESISTOR 	B-30 EXTERNAL RESISTOR 	B-31 EXTERNAL RESISTOR 	B-32 IGNITION RELAY 	B-33 ⊖ TERMINAL OF IGNITION COIL (L)
B-34 ⊕ TERMINAL OF IGNITION COIL (T) 	B-35 CONDENSER 	B-36 FUEL PUMP 						

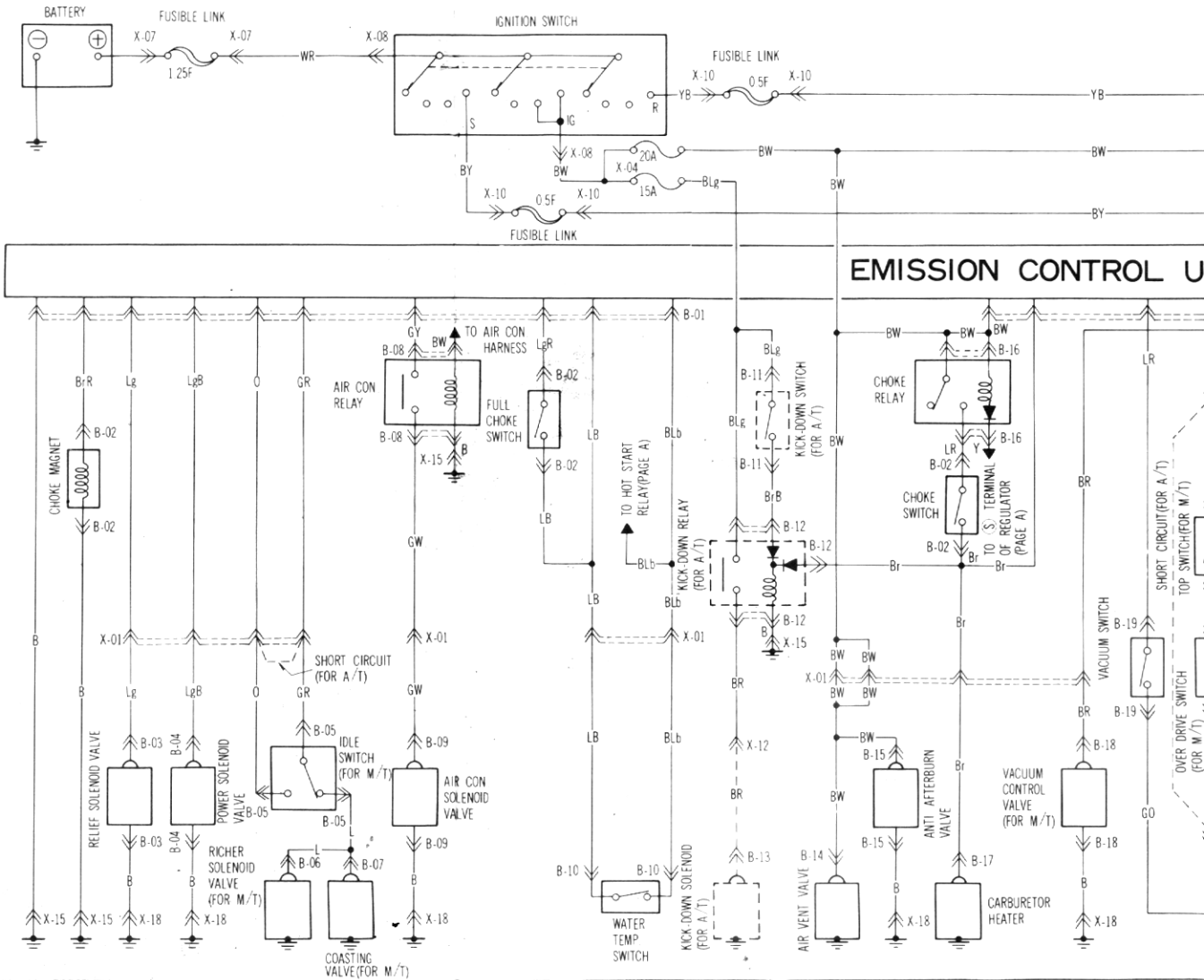
EXCEPT FOR CALIFORNIA SPEC.



B

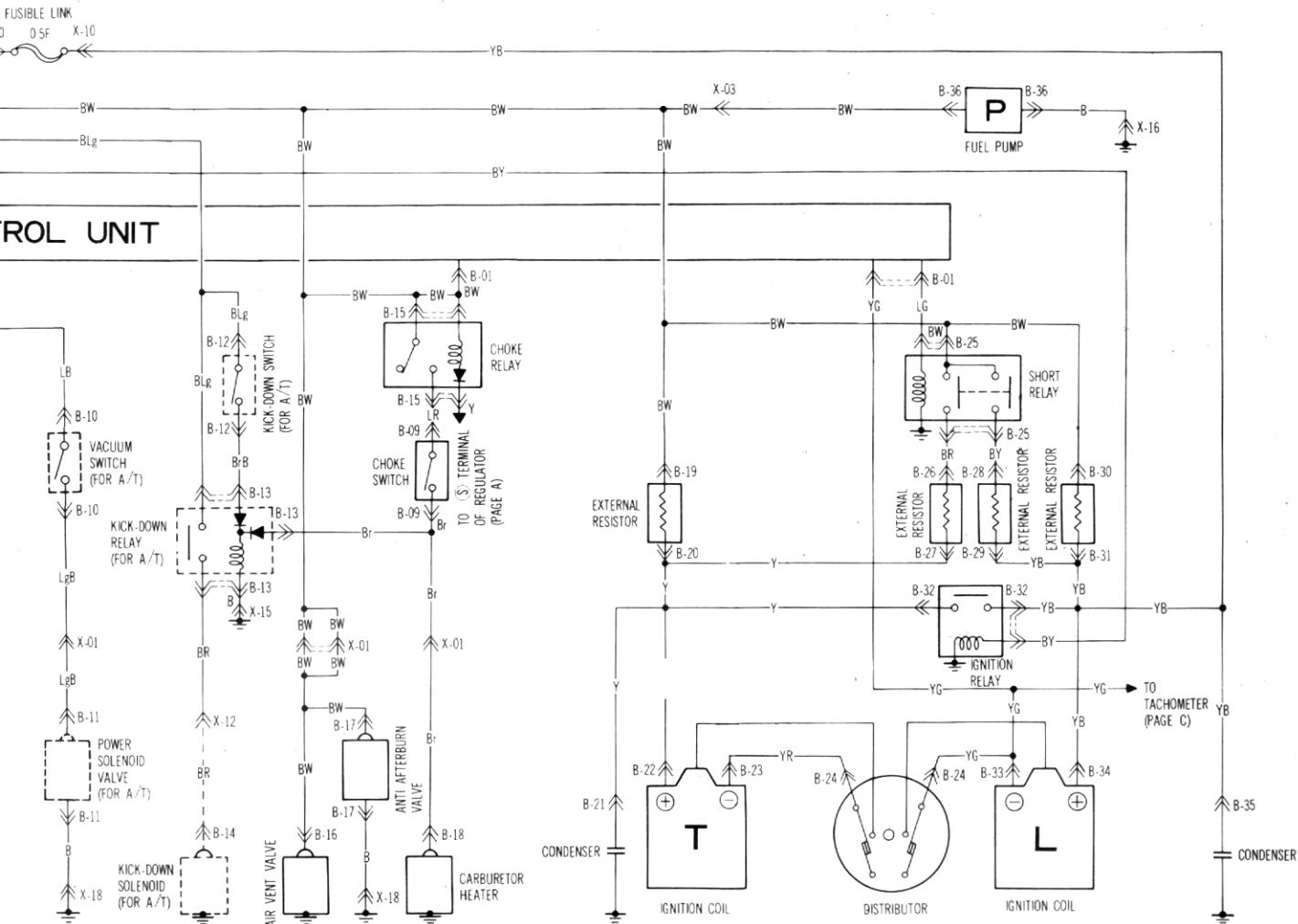
FOR CALIFORNIA SPEC.

EMISSION CONTROL SYSTEM · KICK-DOWN SYSTEM · FUEL PU



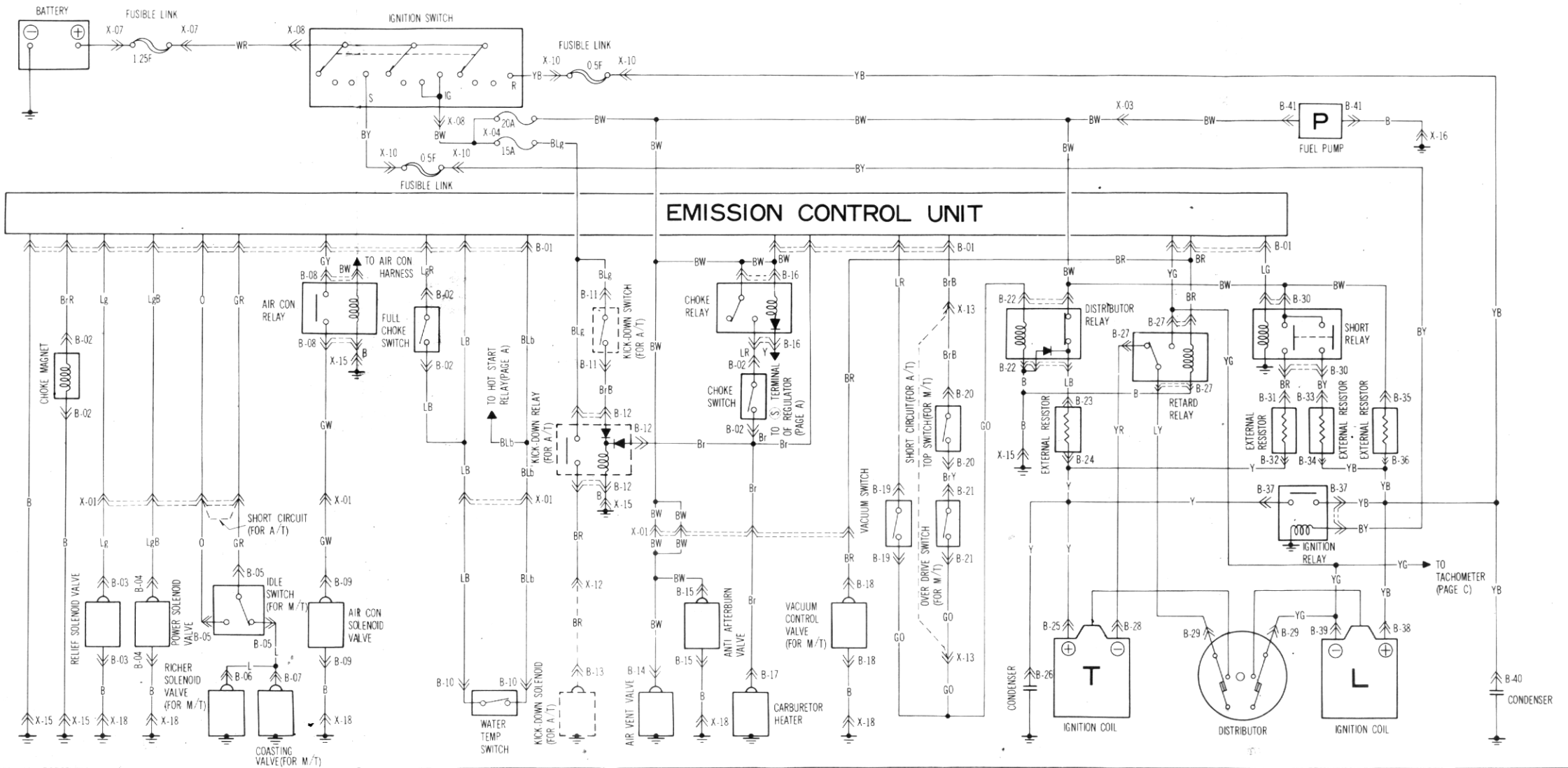
B-01 EMISSION CONTROL UNIT 	B-02 CHOKE SWITCH 	B-03 RELIEF SOLENOID VALVE 	B-04 POWER SOLENOID VALVE 	B-05 IDLE SWITCH (FOR M/T)
B-09 AIR CON SOLENOID VALVE 	B-10 WATER TEMP SWITCH 	B-11 KICK-DOWN SWITCH (FOR A/T) 	B-12 KICK-DOWN RELAY (FOR A/T) 	B-16 CHOKE RELAY
B-17 CARBURETOR HEATER 	B-18 VACUUM CONTROL VALVE (FOR M/T) 	B-19 VACUUM SWITCH 	B-20 TOP SWITCH (FOR M/T) 	B-21 OVER DRIVE SWITCH (FOR M/T)
B-25 + TERMINAL OF IGNITION COIL (T) 	B-26 CONDENSER 	B-27 RETARD RELAY 	B-28 - TERMINAL OF IGNITION COIL (T) 	B-29 DISTRIBUTOR
B-34 EXTERNAL RESISTOR 	B-35 EXTERNAL RESISTOR 	B-36 EXTERNAL RESISTOR 	B-37 IGNITION RELAY 	B-38 + TERMINAL OF IGNITION COIL (L)
				B-39 - TERMINAL OF IGNITION COIL

KICK-DOWN SYSTEM · FUEL PUMP · IGNITION SYSTEM



B-04 RICHER SOLENOID VALVE(FOR M/T)	B-05 COASTING VALVE(FOR M/T)	B-06 AIR CON RELAY	B-07 AIR CON SOLENOID VOLTAGE	B-08 WATER TEMP SWITCH
B-11 POWER SOLENOID VALVE(FOR A/T)	B-12 KICK-DOWN SWITCH(FOR A/T)	B-13 KICK-DOWN RELAY(FOR A/T)	B-14 KICK-DOWN SOLENOID(FOR A/T)	B-15 CHOKE RELAY
B-20 EXTERNAL RESISTOR	B-21 CONDENSER	B-22 ⊕ TERMINAL OF IGNITION COIL (T)	B-23 ⊖ TERMINAL OF IGNITION COIL (T)	B-24 DISTRIBUTOR
B-29 EXTERNAL RESISTOR	B-30 EXTERNAL RESISTOR	B-31 EXTERNAL RESISTOR	B-32 IGNITION RELAY	B-33 ⊖ TERMINAL OF IGNITION COIL(L)

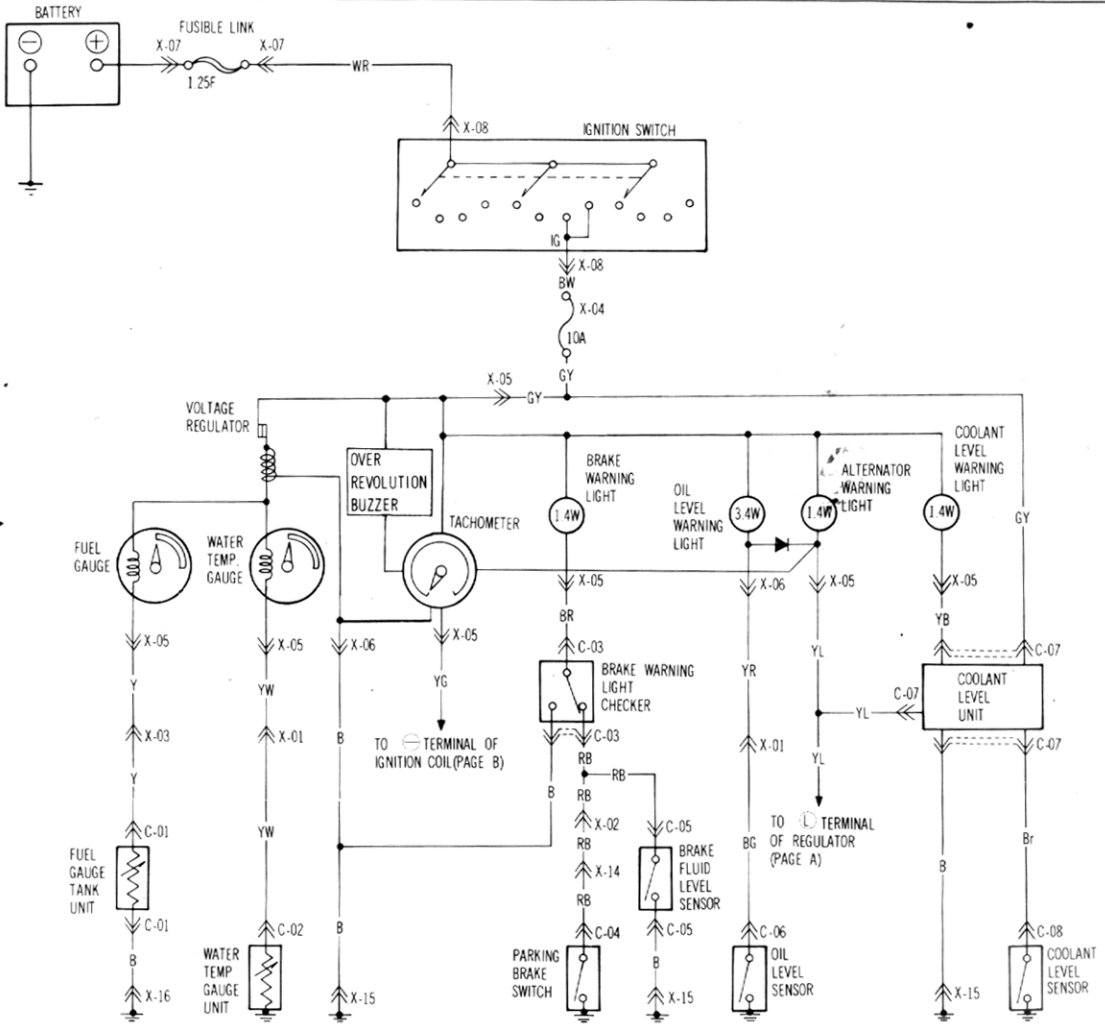
EMISSION CONTROL SYSTEM · KICK-DOWN SYSTEM · FUEL PUMP · IGNITION SYSTEM







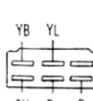



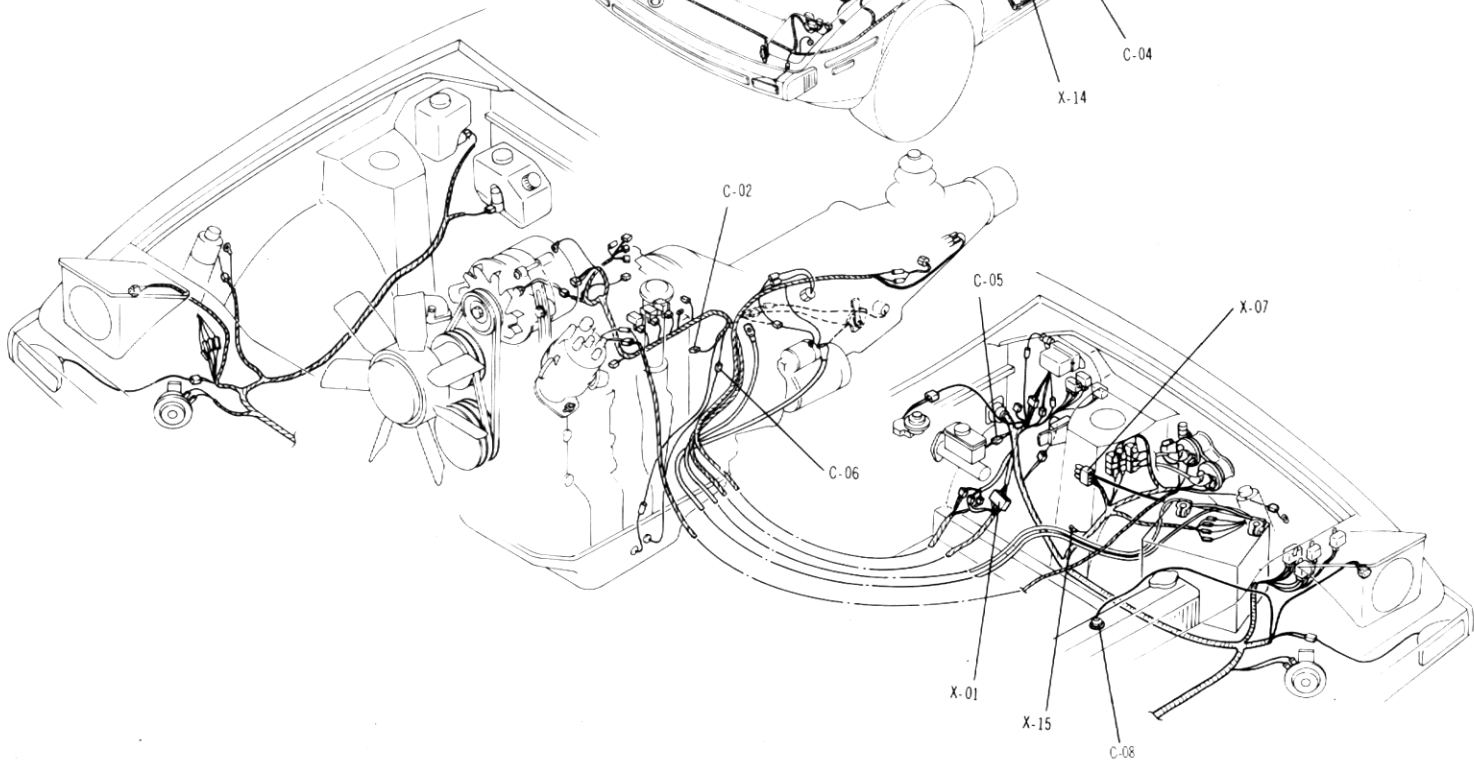
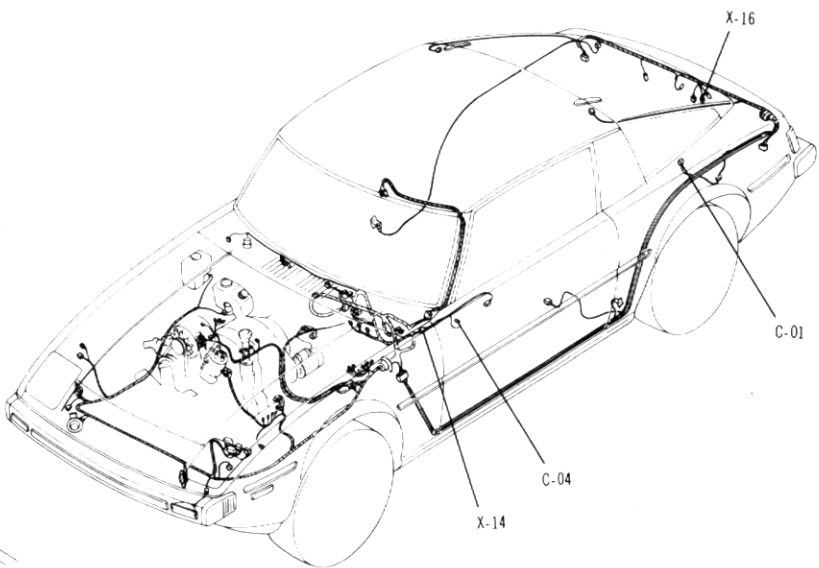
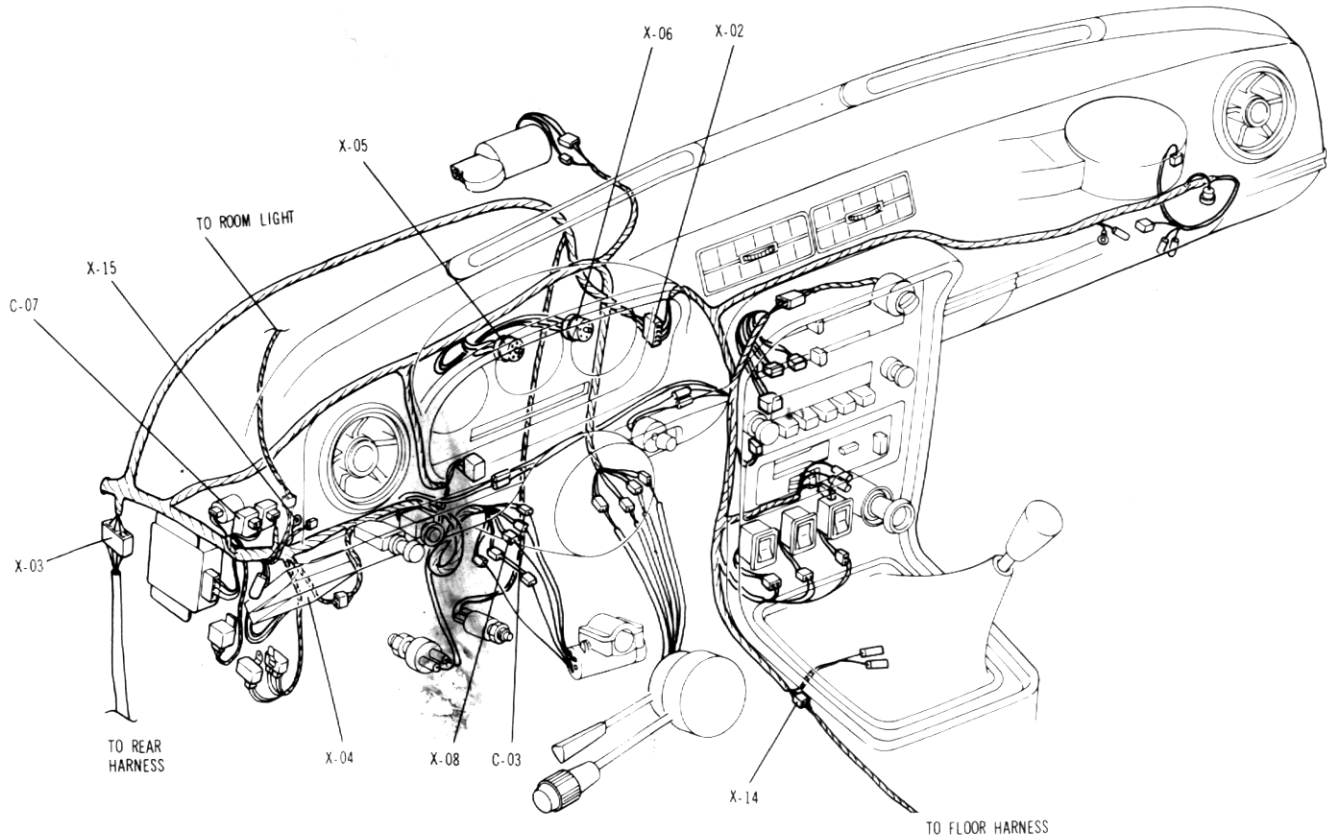
<p>B-01 EMISSION CONTROL UNIT</p>	<p>B-02 CHOKE SWITCH</p>	<p>B-03 RELIEF SOLENOID VALVE</p>	<p>B-04 POWER SOLENOID VALVE</p>	<p>B-05 IDLE SWITCH (FOR M/T)</p>	<p>B-06 RICHER SOLENOID (FOR M/T)</p>	<p>B-07 COASTING VALVE (FOR M/T)</p>	<p>B-08 AIR CON RELAY</p>	
<p>B-16 CHOKE RELAY</p>	<p>B-17 CARBURETOR HEATER</p>	<p>B-09 AIR CON SOLENOID VALVE</p>	<p>B-10 WATER TEMP SWITCH</p>	<p>B-11 KICK-DOWN SWITCH (FOR A/T)</p>	<p>B-12 KICK-DOWN RELAY (FOR A/T)</p>	<p>B-13 KICK-DOWN SOLENOID (FOR A/T)</p>	<p>B-14 AIR VENT VALVE</p>	<p>B-15 ANTI AFTERBURN VALVE</p>
<p>B-25 ⊕ TERMINAL OF IGNITION COIL (T)</p>	<p>B-26 CONDENSER</p>	<p>B-18 VACUUM CONTROL VALVE (FOR M/T)</p>	<p>B-19 VACUUM SWITCH</p>	<p>B-20 TOP SWITCH (FOR M/T)</p>	<p>B-21 OVER DRIVE SWITCH (FOR M/T)</p>	<p>B-22 DISTRIBUTOR RELAY</p>	<p>B-23 EXTERNAL RESISTOR</p>	<p>B-24 EXTERNAL RESISTOR</p>
<p>B-34 EXTERNAL RESISTOR</p>	<p>B-35 EXTERNAL RESISTOR</p>	<p>B-27 RETARD RELAY</p>	<p>B-28 ⊖ TERMINAL OF IGNITION COIL (T)</p>	<p>B-29 DISTRIBUTOR</p>	<p>B-30 SHORT RELAY</p>	<p>B-31 EXTERNAL RESISTOR</p>	<p>B-32 EXTERNAL RESISTOR</p>	<p>B-33 EXTERNAL RESISTOR</p>
<p>B-36 EXTERNAL RESISTOR</p>	<p>B-37 IGNITION RELAY</p>	<p>B-38 ⊕ TERMINAL OF IGNITION COIL (L)</p>	<p>B-29 DISTRIBUTOR</p>	<p>B-39 ⊖ TERMINAL OF IGNITION COIL</p>	<p>B-40 CONDENSER</p>	<p>B-41 FUEL PUMP</p>		

C

METER & WARNING SYSTEM

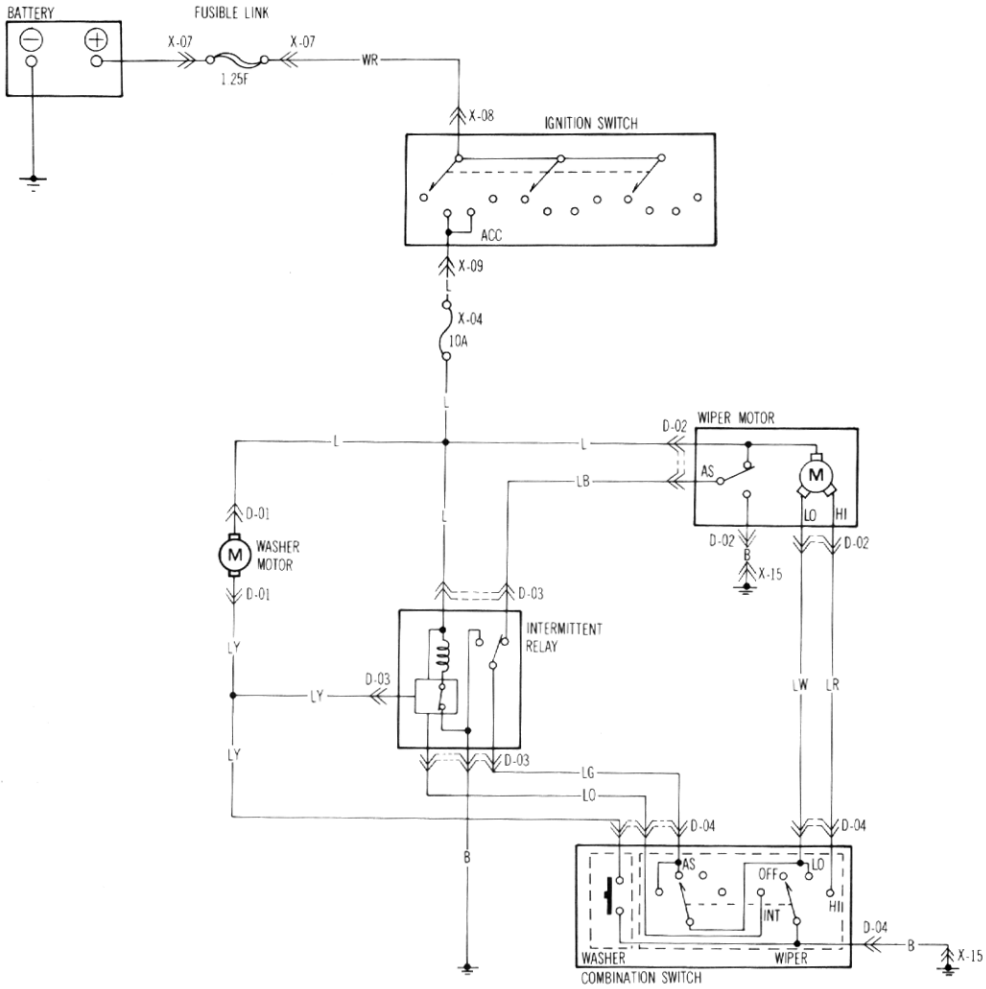


<p>C-01 FUEL GAUGE TANK UNIT</p> 	<p>C-02 WATER TEMP GAUGE UNIT</p> 	<p>C-03 BRAKE WARNING LIGHT CHECKER</p> 	<p>C-04 PARKING BRAKE SWITCH</p> 
<p>C-05 BRAKE FLUID LEVEL SENSOR</p> 	<p>C-06 OIL LEVEL SENSOR</p> 	<p>C-07 COOLANT LEVEL UNIT</p> 	<p>C-08 COOLANT LEVEL SENSOR</p> 



D

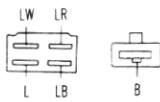
WIPER & WASHER SYSTEM



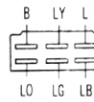
D-01 WASHER MOTOR



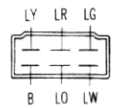
D-02 WIPER MOTOR

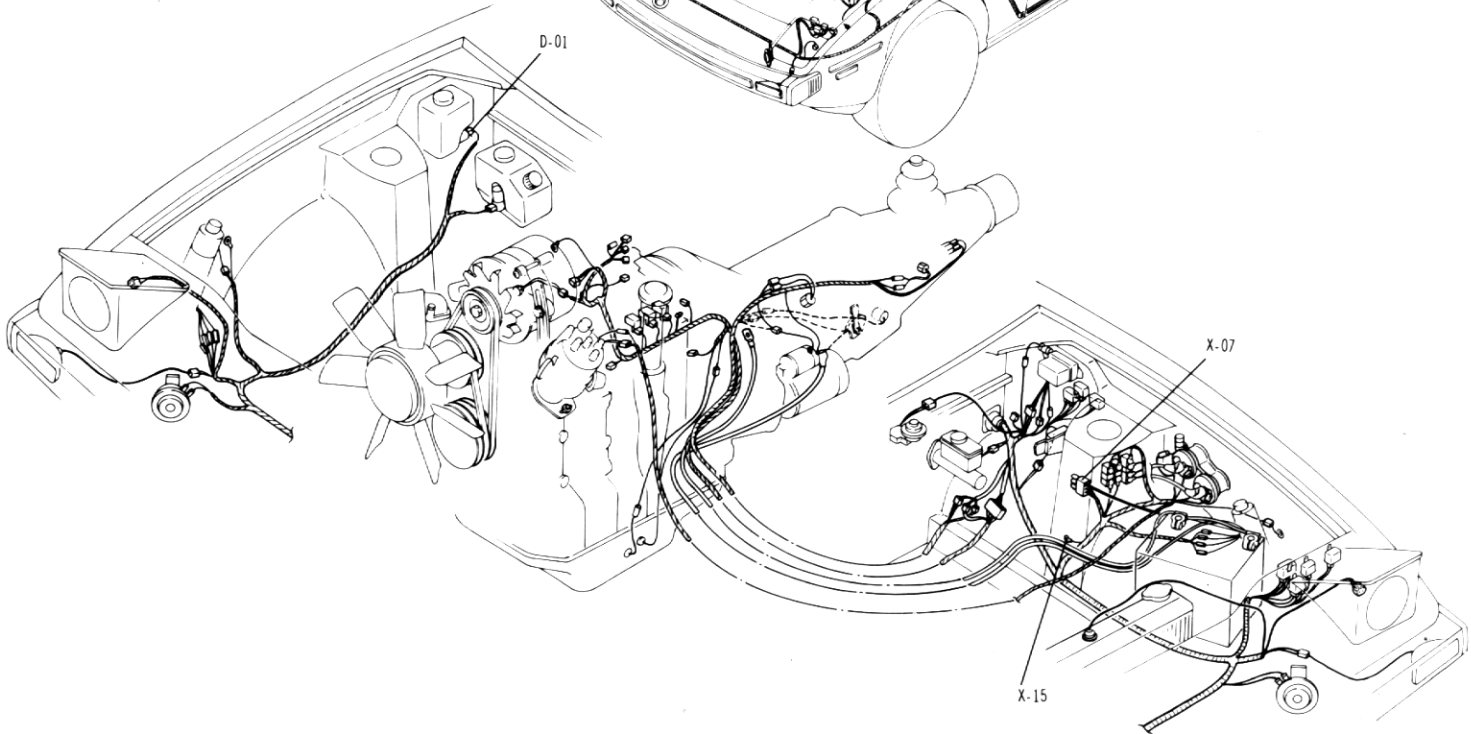
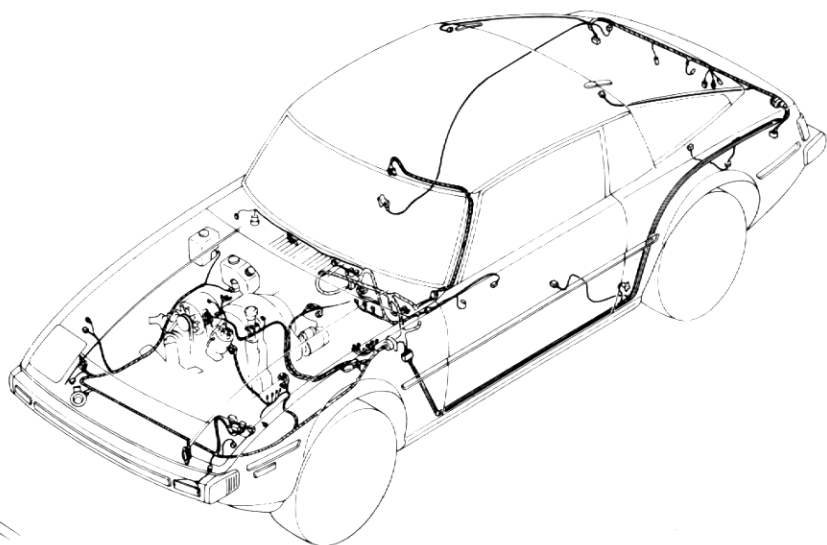
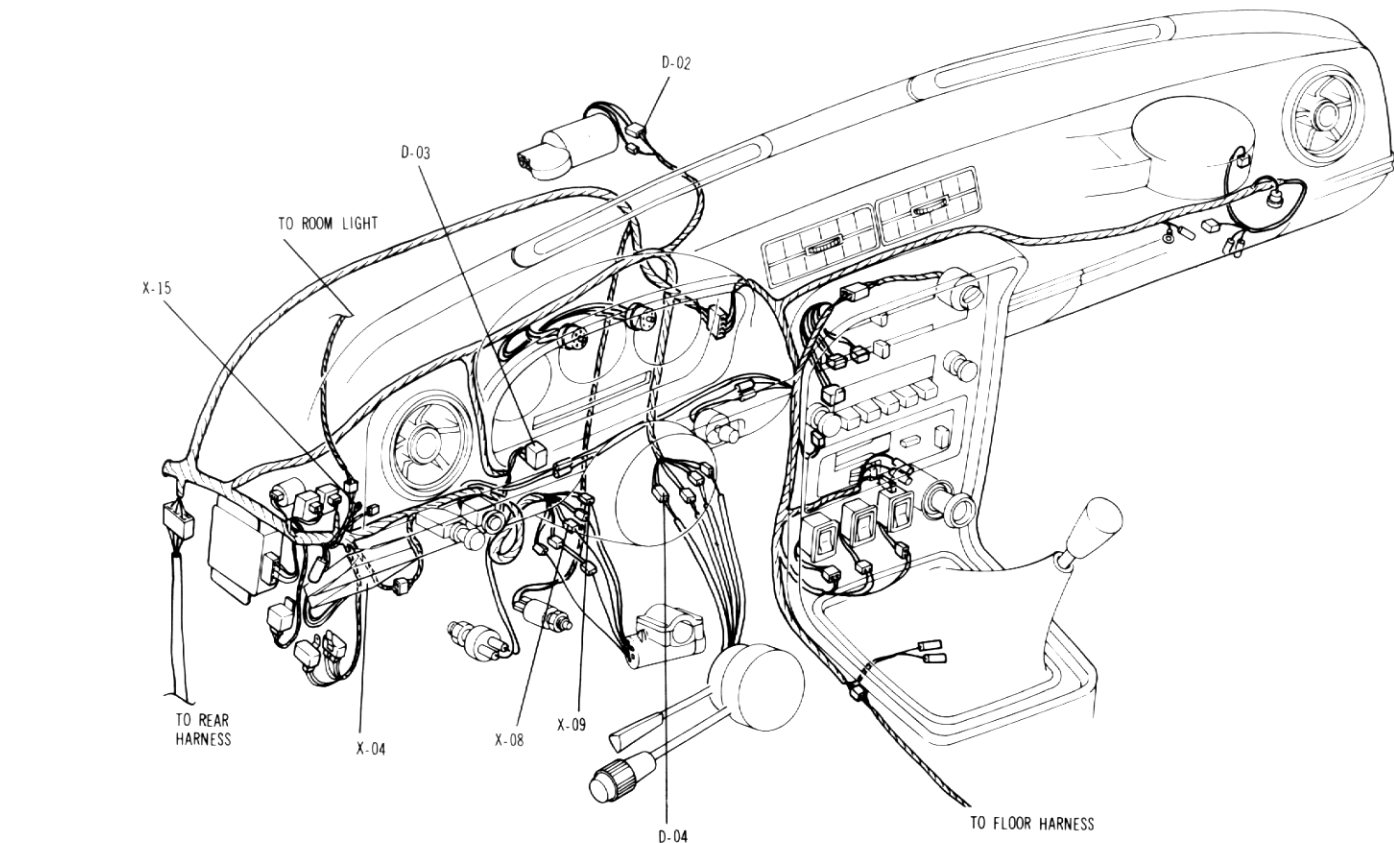


D-03 INTERMITTENT RELAY



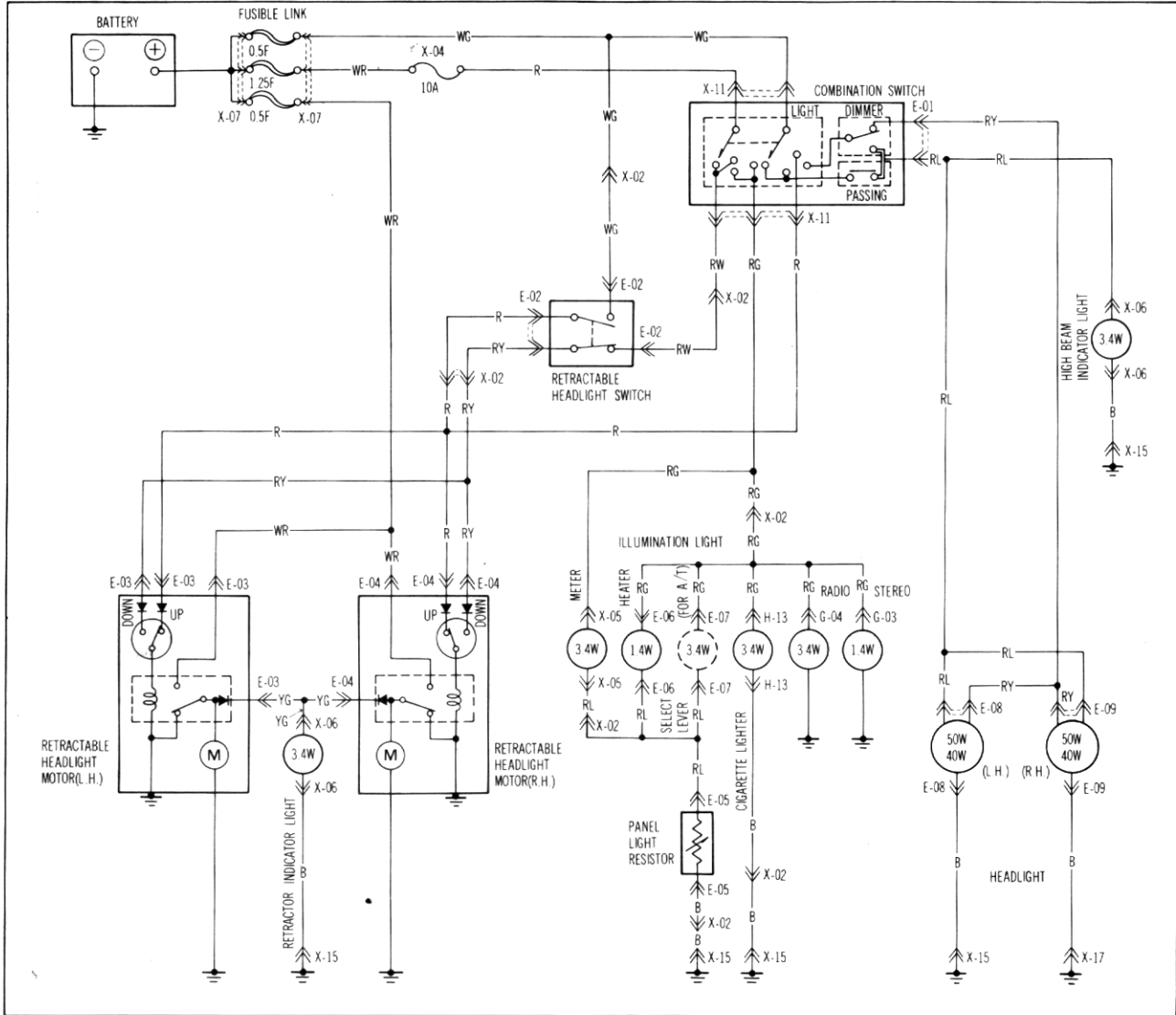
D-04 COMBINATION SWITCH

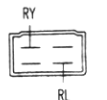
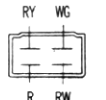
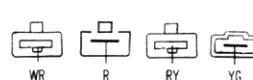

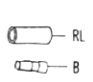
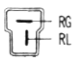
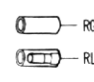
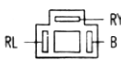
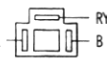


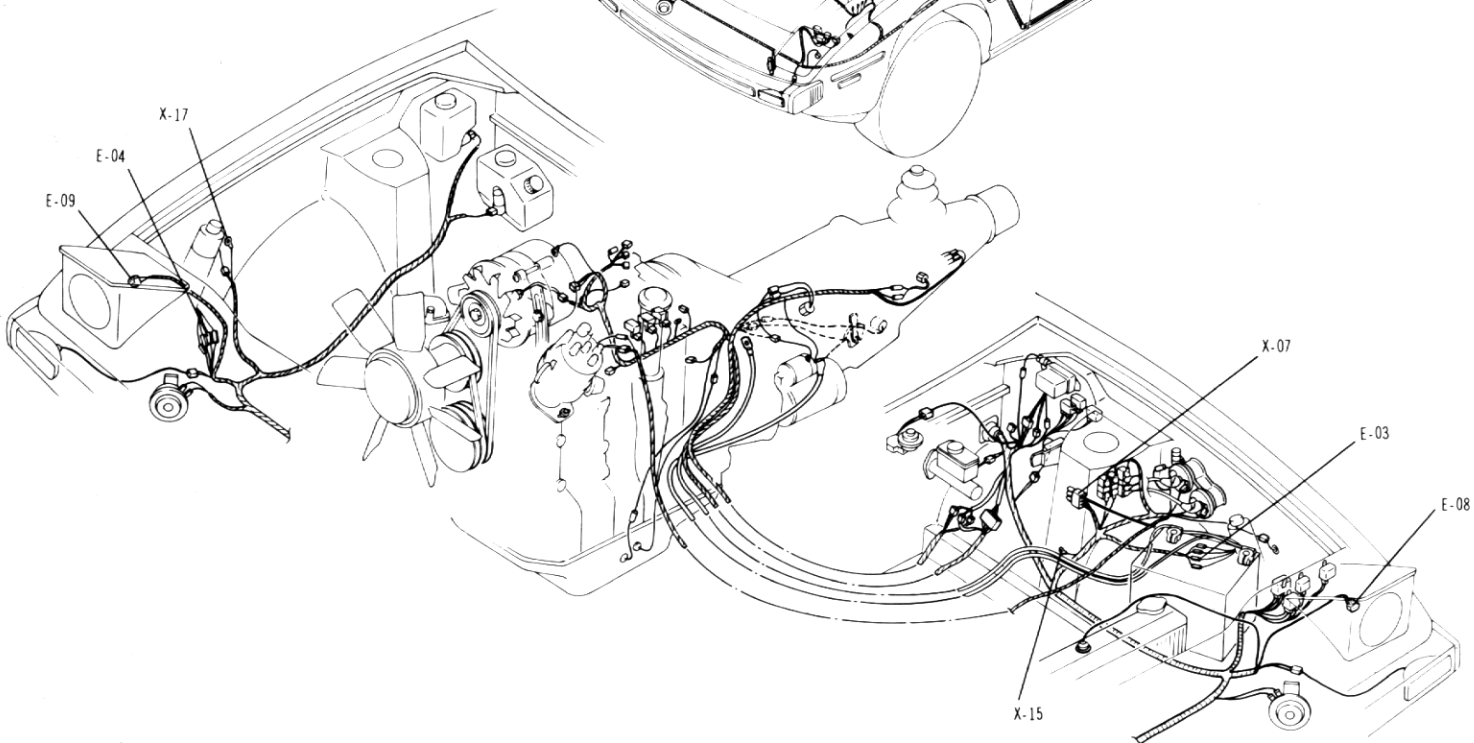
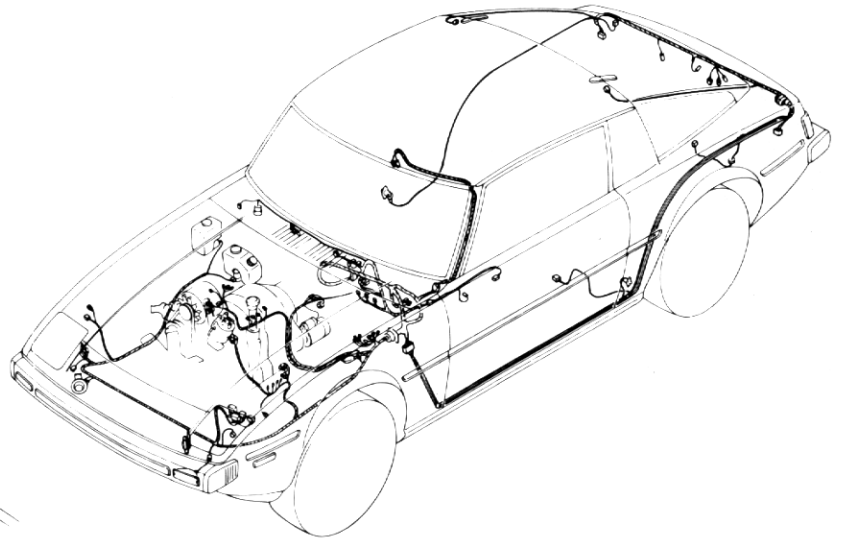
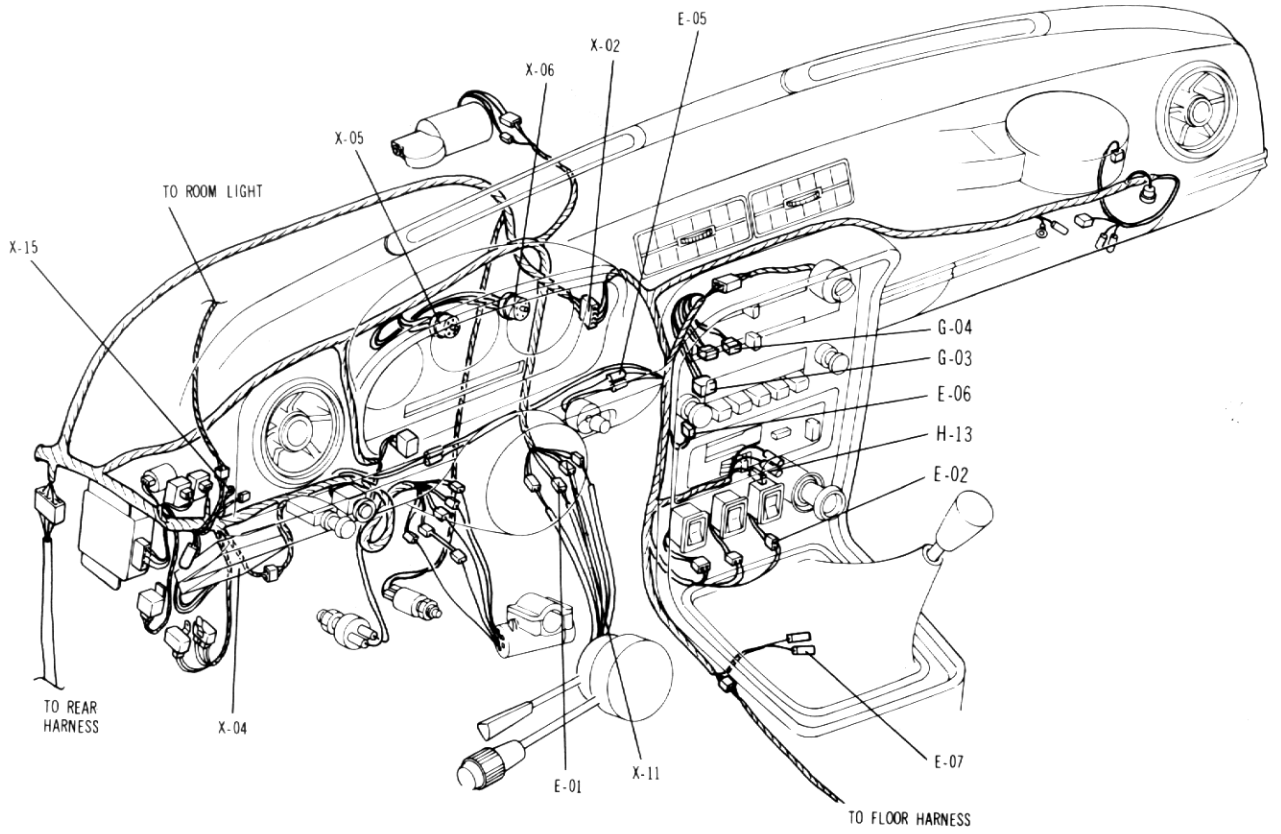


E

HEADLIGHT & ILLUMINATION SYSTEM

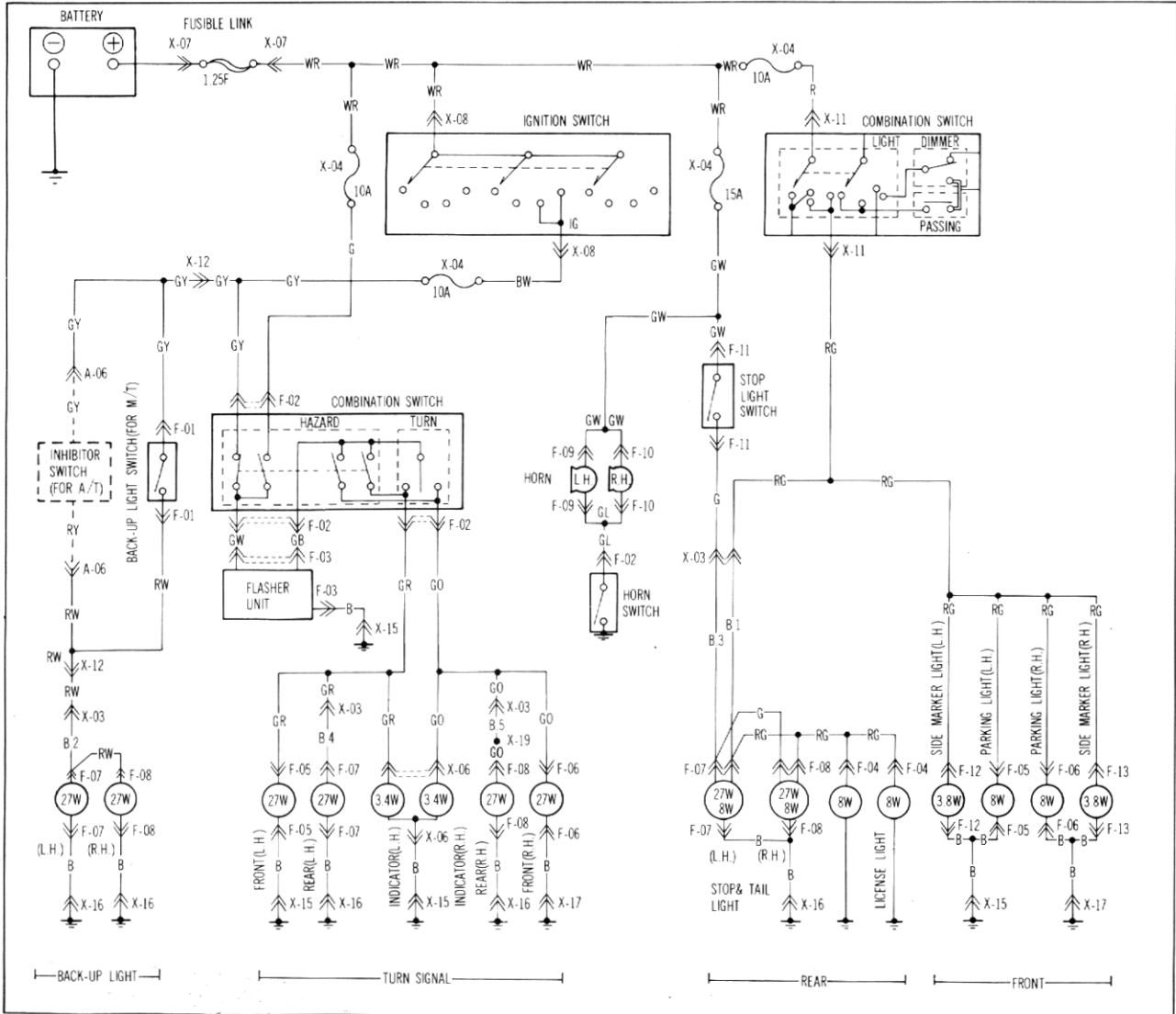


<p>E-01 COMBINATION SWITCH</p> 	<p>E-02 RETRACTABLE HEADLIGHT SWITCH</p> 	<p>E-03 RETRACTABLE HEADLIGHT MOTOR(L.H.)</p> 	<p>E-04 RETRACTABLE HEADLIGHT MOTOR(R.H.)</p> 
<p>E-05 PANEL LIGHT RESISTOR</p> 	<p>E-06 HEATER ILLUMINATION LIGHT</p> 	<p>E-07 SELECT LEVER ILLUMINATION LIGHT (FOR A/T)</p> 	<p>E-08 HEADLIGHT(L.H.)</p> 
<p>E-09 HEADLIGHT(R.H.)</p> 			

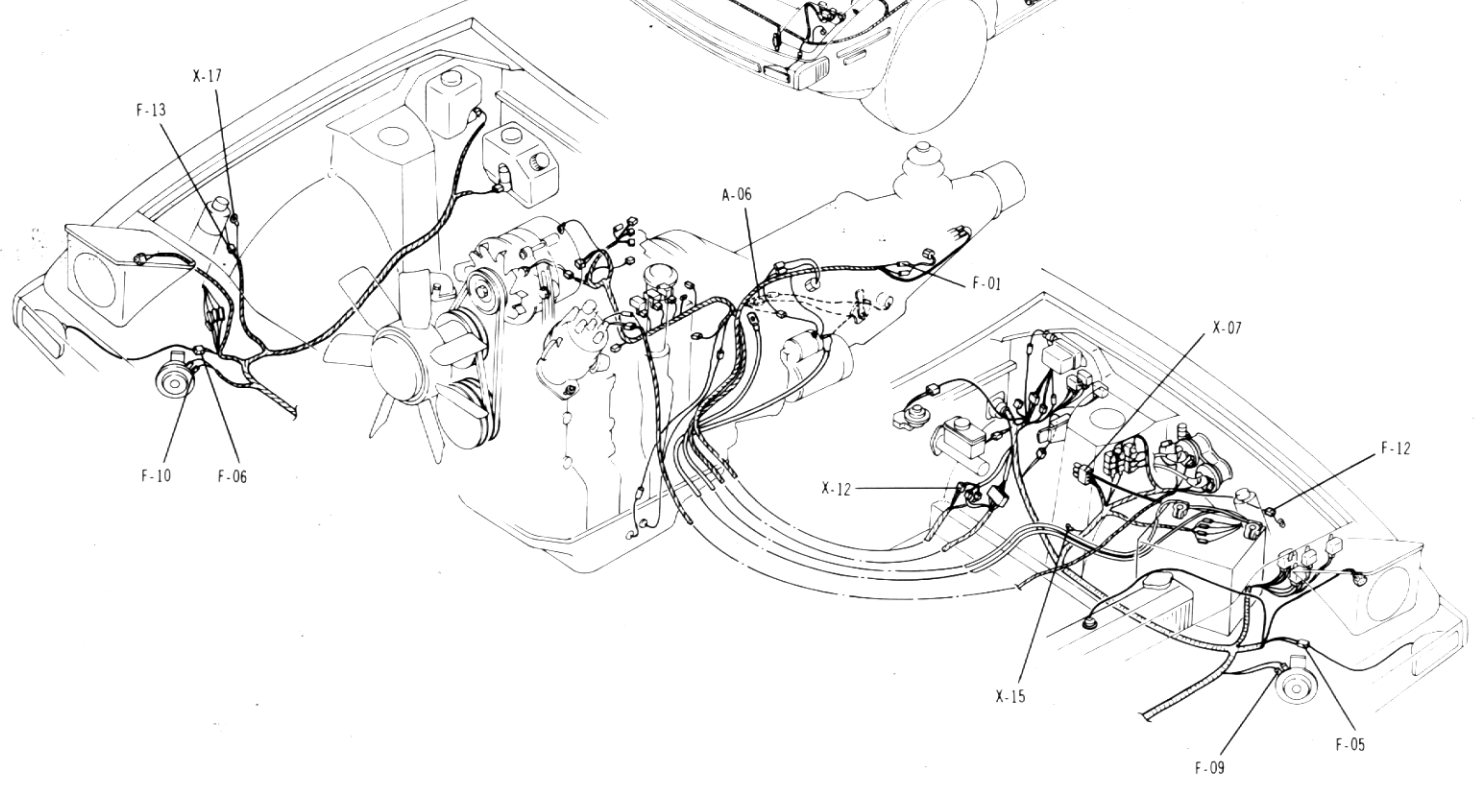
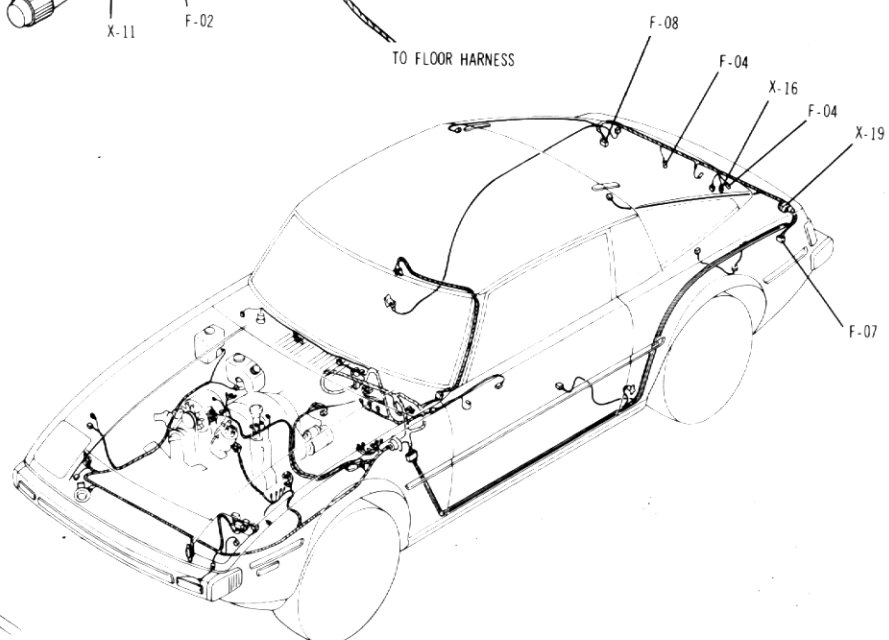
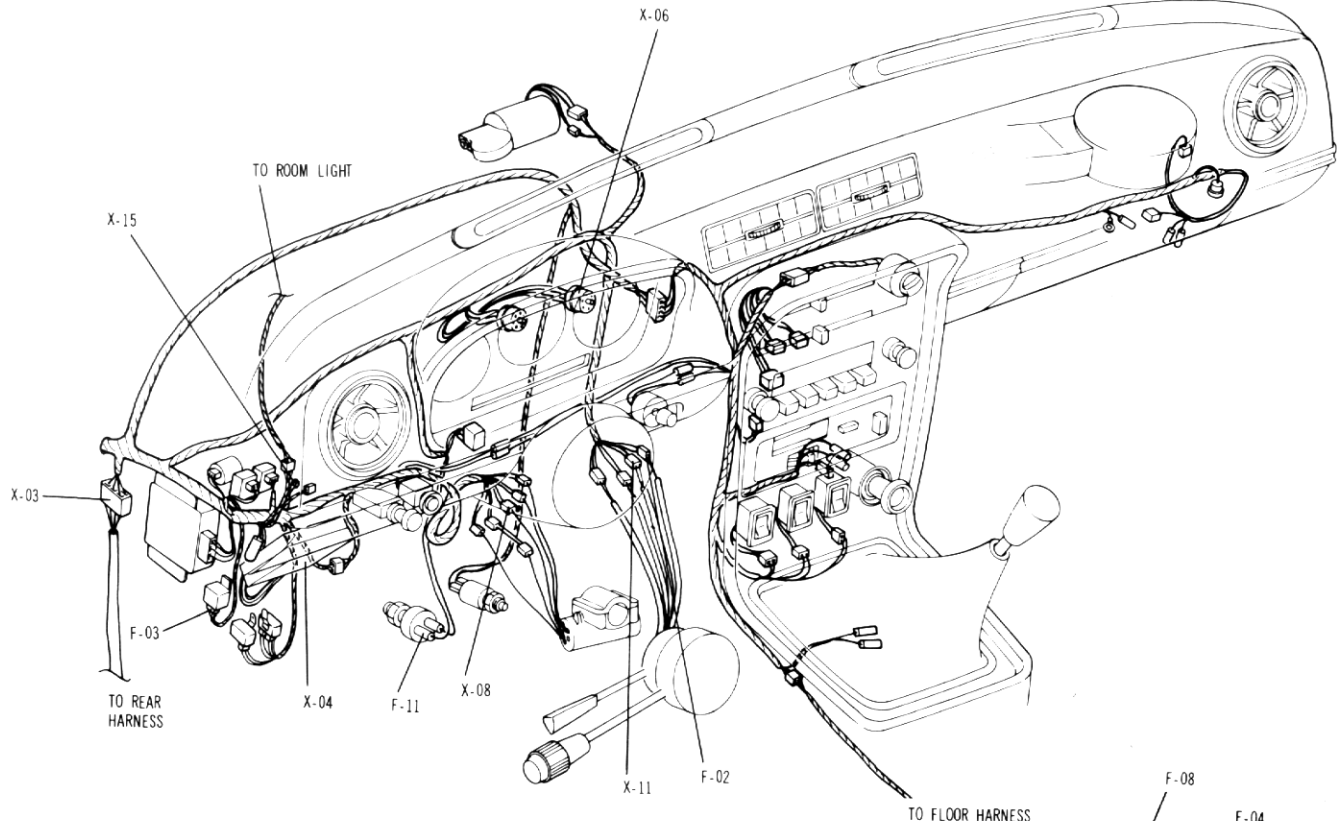


F

·SIGNAL LIGHT SYSTEM ·HORN

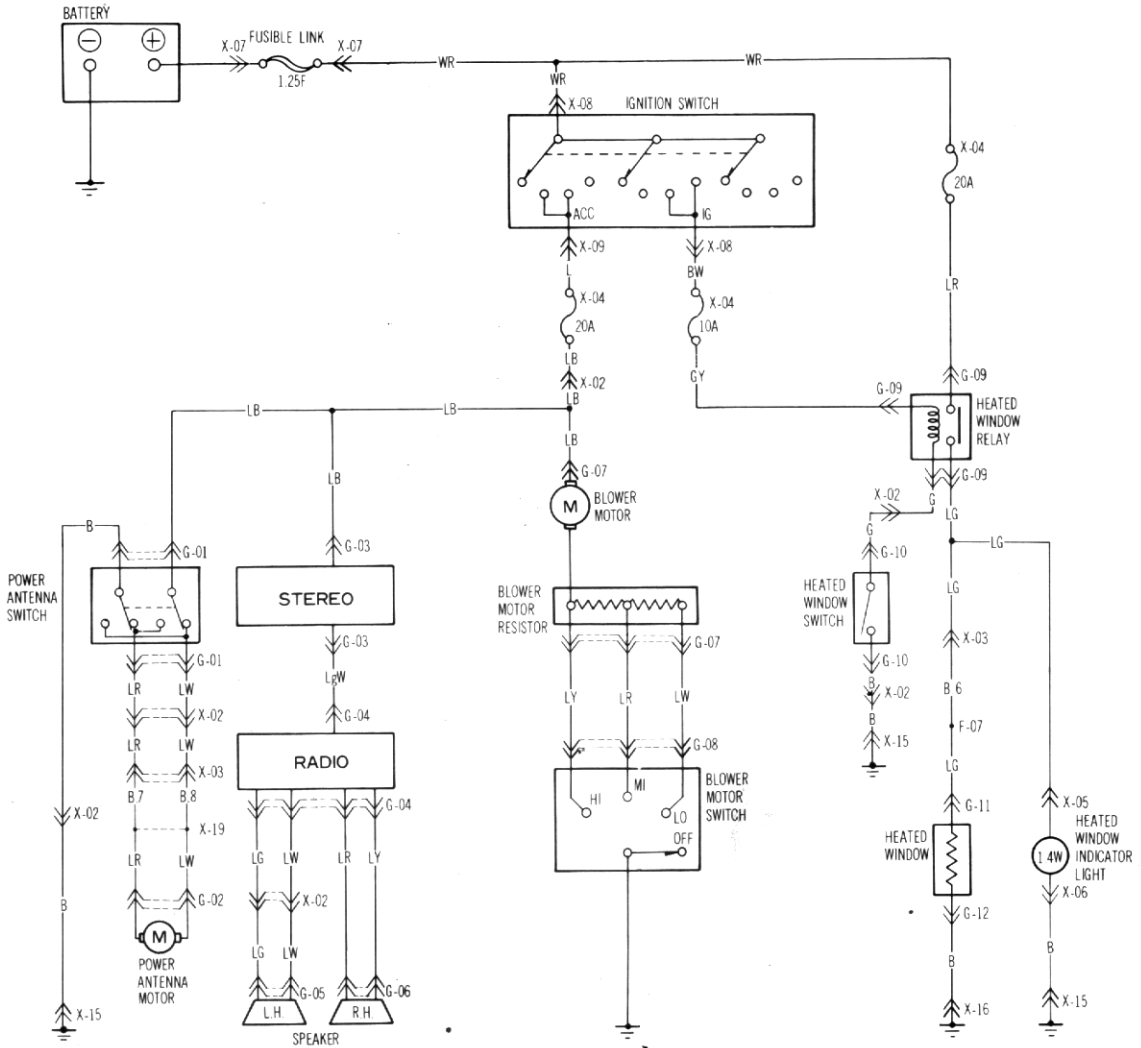


<p>F-01 BACK-UP LIGHT SWITCH</p>	<p>F-02 COMBINATION SWITCH</p>	<p>F-03 FLASHER UNIT</p>	<p>F-04 LICENSE LIGHT</p>
<p>F-05 FRONT TURN & PARKING LIGHT(L.H.)</p>	<p>F-06 FRONT TURN & PARKING LIGHT(R.H.)</p>	<p>F-07 REAR COMBINATION LIGHT(L.H.)</p>	<p>F-08 REAR COMBINATION LIGHT(R.H.)</p>
<p>F-09 HORN(L.H.)</p>	<p>F-10 HORN(R.H.)</p>	<p>F-11 STOP LIGHT SWITCH</p>	<p>F-12 SIDE MARKER LIGHT(L.H.)</p>
<p>F-13 SIDE MARKER LIGHT(R.H.)</p>			

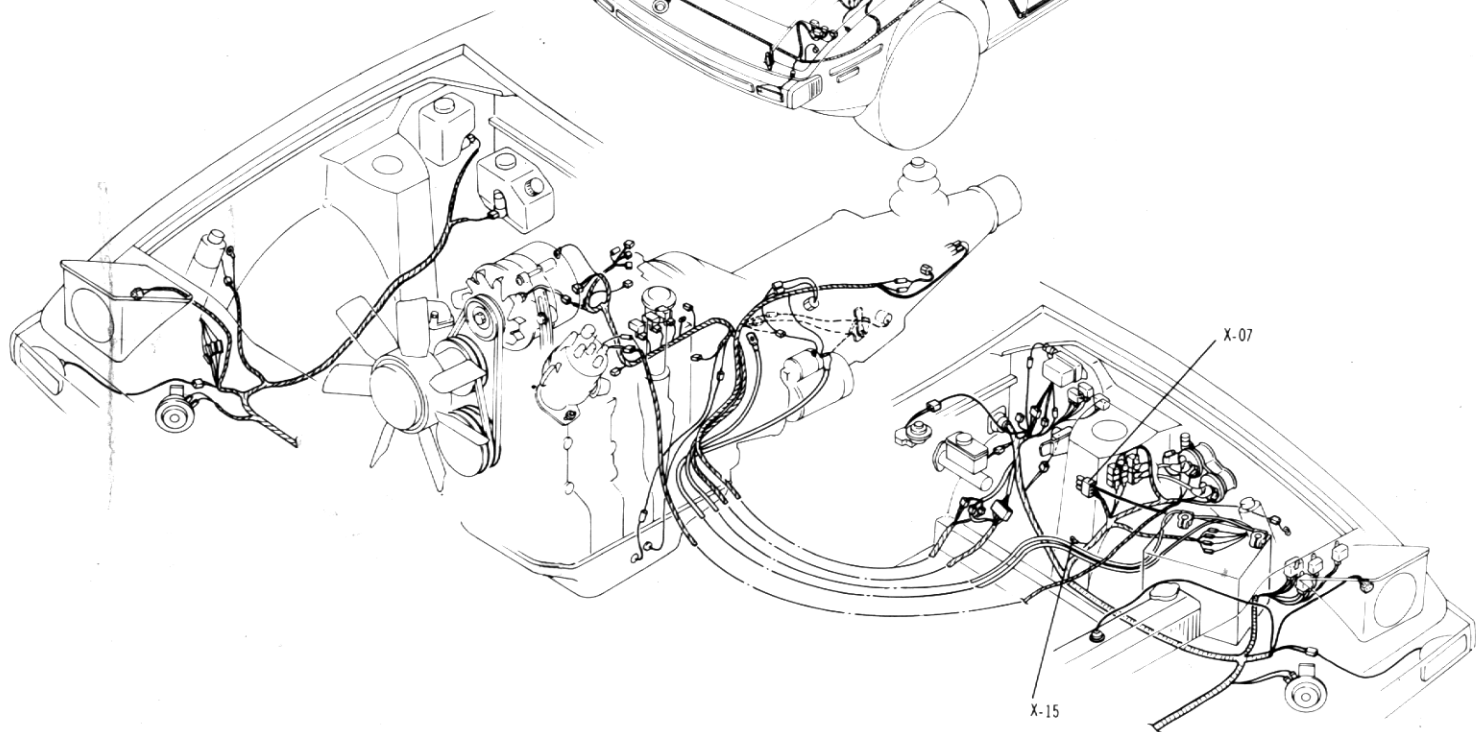
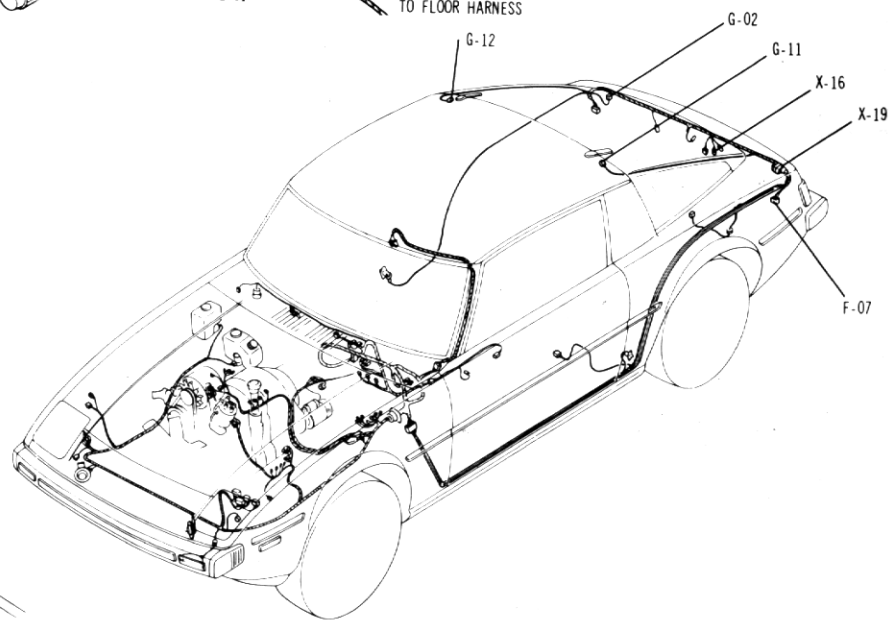
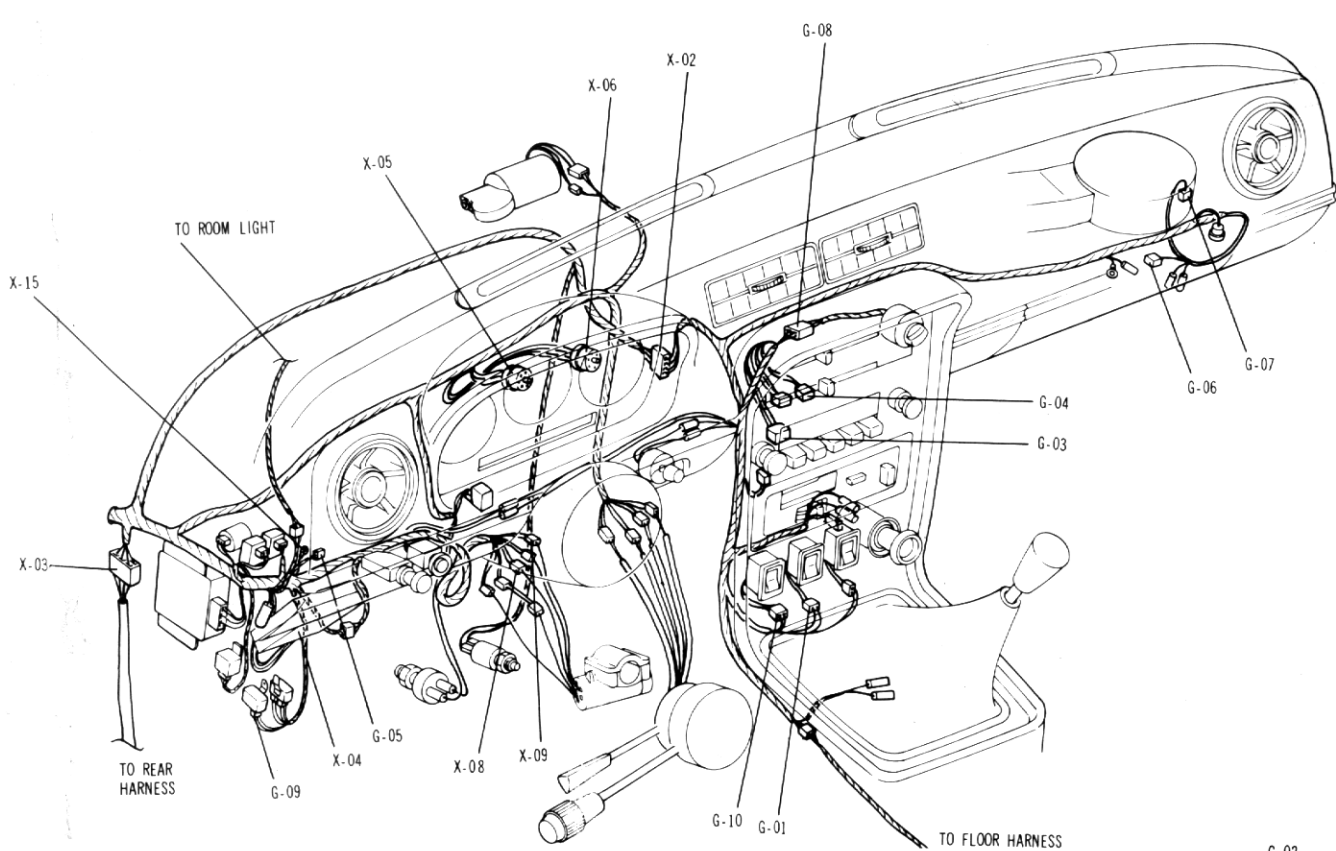


G

·HEATER SYSTEM ·RADIO ·STEREO
·HEATED WINDOW SYSTEM ·POWER ANTENNA

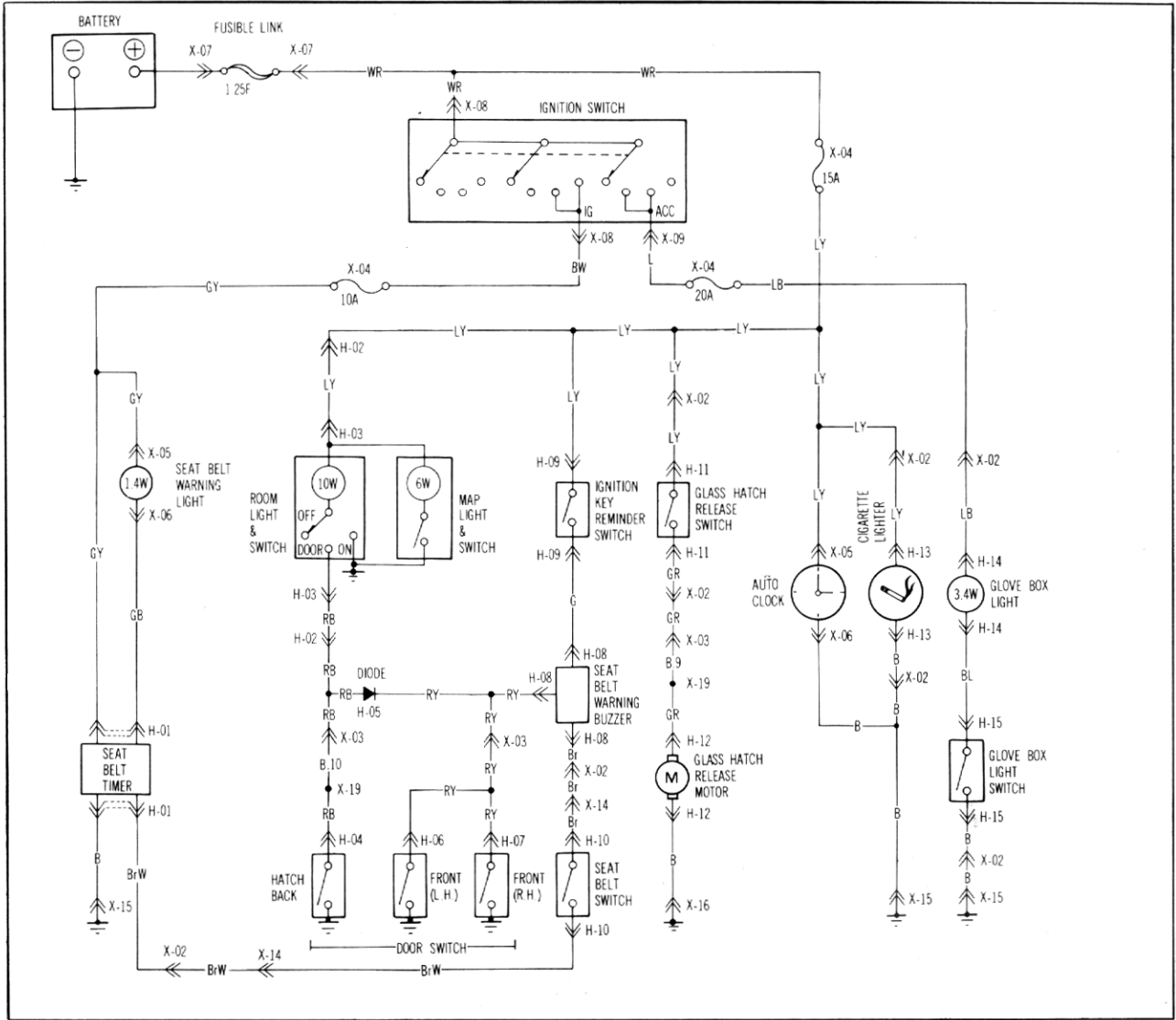


<p>G-01 POWER ANTENNA SWITCH</p>	<p>G-02 POWER ANTENNA MOTOR</p>	<p>G-03 STEREO</p>	<p>G-04 RADIO</p>
<p>G-05 SPEAKER(L.H.)</p>	<p>G-06 SPEAKER(R.H.)</p>	<p>G-07 BLOWER MOTOR</p>	<p>G-08 BLOWER MOTOR SWITCH</p>
<p>G-09 HEATED WINDOW RELAY</p>	<p>G-10 HEATED WINDOW SWITCH</p>	<p>G-11 HEATED WINDOW</p>	<p>G-12 HEATED WINDOW</p>

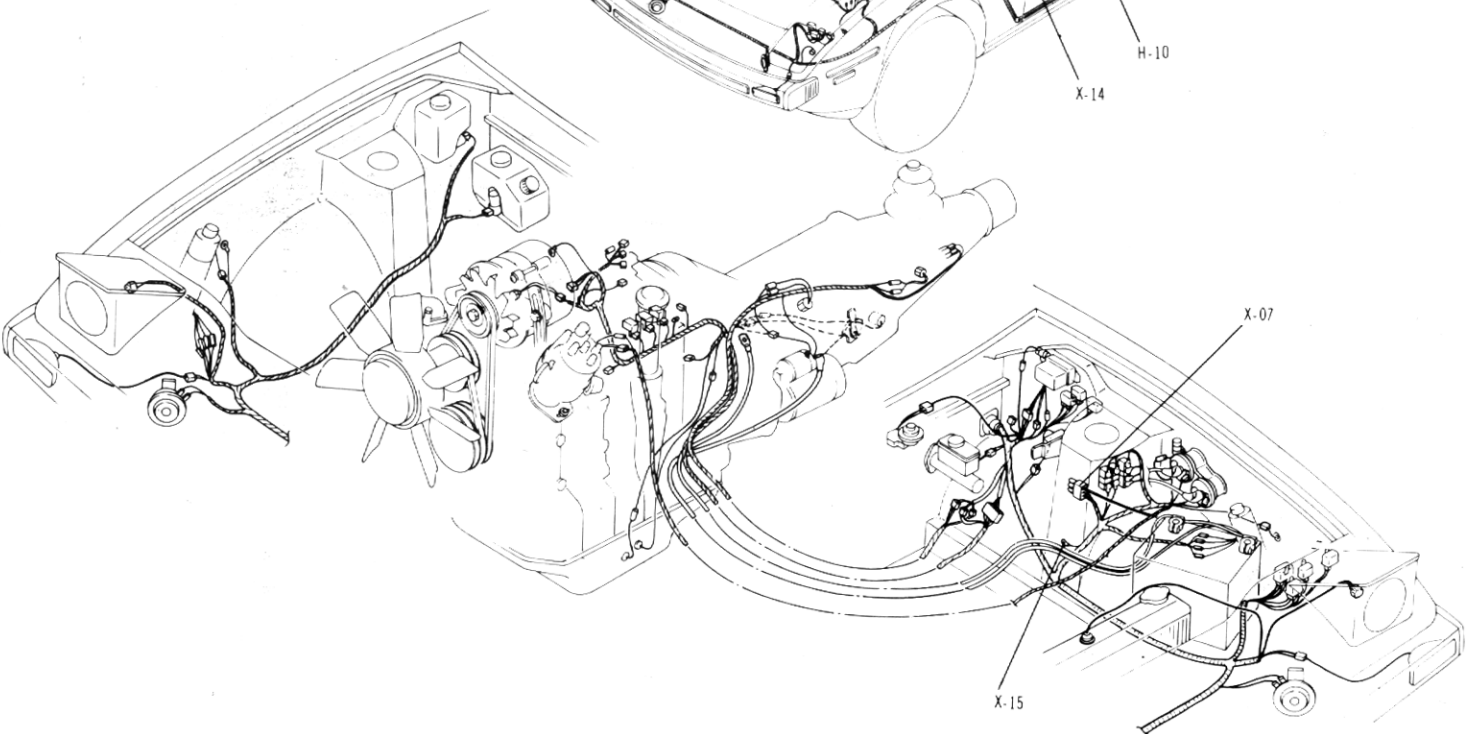
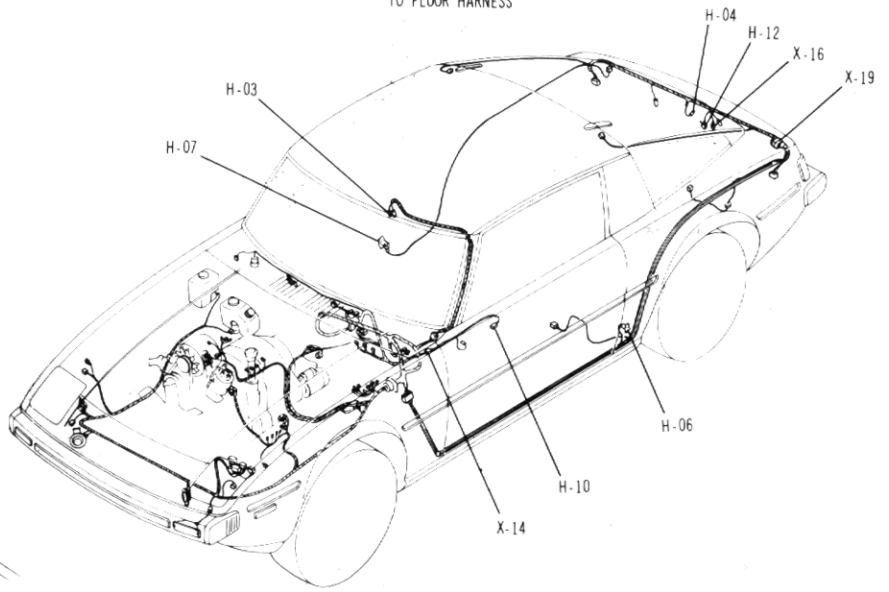
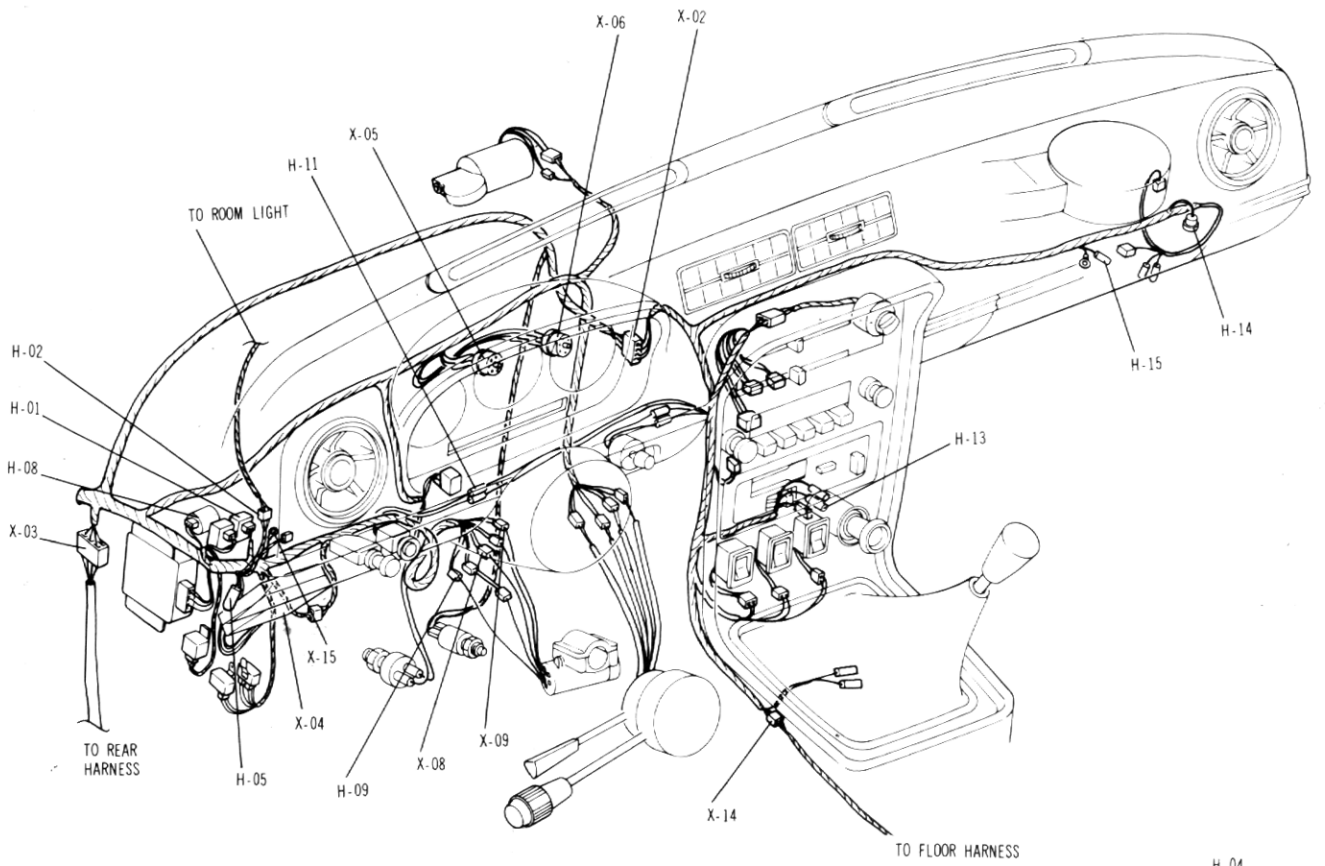


H

•SEAT BELT WARNING SYSTEM •ROOM & MAP LIGHT •AUTO CLOCK
 •CIGARETTE LIGHTER•GLOVE BOX LIGHT•GLASS HATCH RELEASE SYSTEM



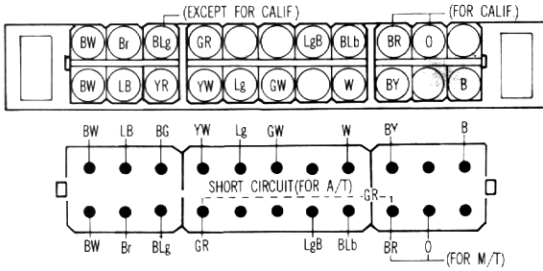
<p>H-01 SEAT BELT TIMER</p>	<p>H-02 CONNECTOR TO ROOM LIGHT</p>	<p>H-03 ROOM LIGHT</p>	<p>H-04 DOOR SWITCH(GLASS HATCH)</p>
<p>H-05 DIODE</p>	<p>H-06 DOOR SWITCH(L.H.)</p>	<p>H-07 DOOR SWITCH(R.H.)</p>	<p>H-08 SEAT BELT WARNING BUZZER</p>
<p>H-09 IGNITION KEY REMINDER SWITCH</p>	<p>H-10 SEAT BELT SWITCH</p>	<p>H-11 GLASS HATCH RELEASE SWITCH</p>	<p>H-12 GLASS HATCH RELEASE MOTOR</p>
<p>H-13 CIGARETTE LIGHTER</p>	<p>H-14 GLOVE BOX LIGHT</p>	<p>H-15 GLOVE BOX LIGHT SWITCH</p>	



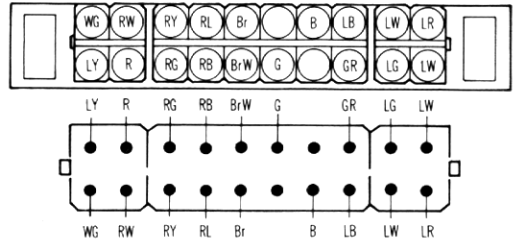
COMMON CONNECTOR LIST

X

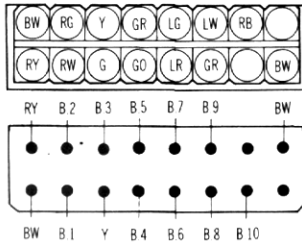
X-01 CONNECTOR BETWEEN FRONT AND ENGINE HARNESSSES



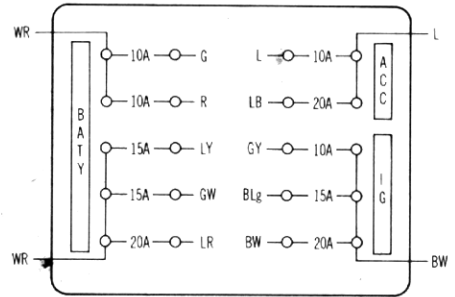
X-02 CONNECTOR BETWEEN FRONT AND INPANE HARNESSSES



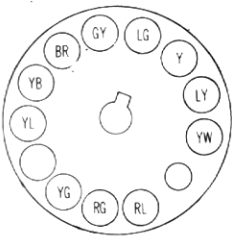
X-03 CONNECTOR BETWEEN FRONT AND REAR HARNESSSES



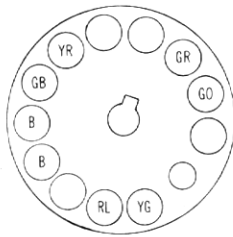
X-04 FUSE BLOCK



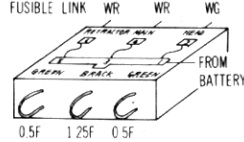
X-05 COMBINATION METER



X-06 COMBINATION METER



X-07 FUSIBLE LINK



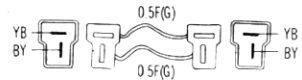
X-08 IGNITION SWITCH



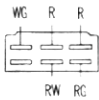
X-09 IGNITION SWITCH



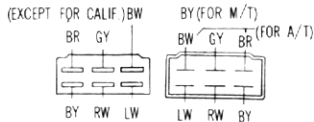
X-10 FUSIBLE LINK



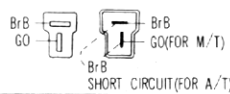
X-11 COMBINATION SWITCH



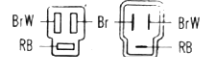
X-12 CONNECTOR TO TRANSMISSION HARNESS



X-13 CONNECTOR TO TRANSMISSION HARNESS (FOR CALIF.)



X-14 CONNECTOR TO PARKING BRAKE HARNESS



X-15 EARTH



X-16 EARTH



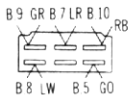
X-17 EARTH



X-18 EARTH



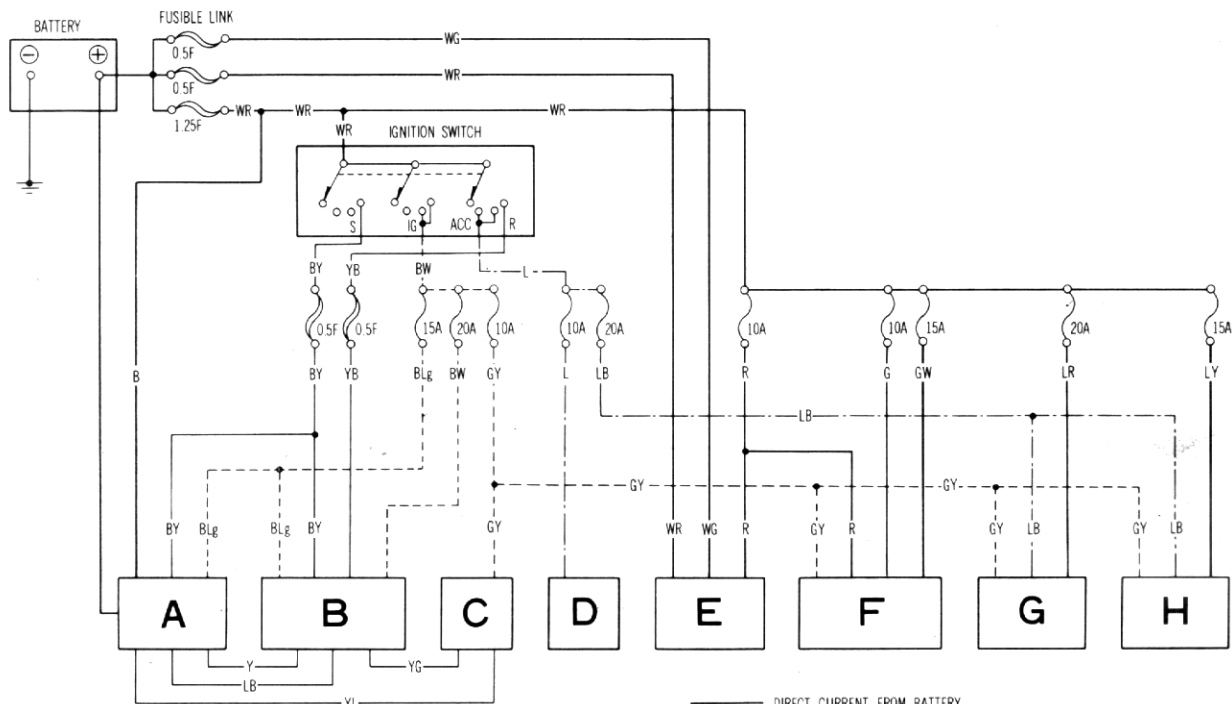
X-19 JOINTER



This is located in the main harness.

NOTE: X-15 and X-18 are connected through X-01.

SUB SYSTEM CONNECTIONS



- DIRECT CURRENT FROM BATTERY
- DIRECT CURRENT FROM IG TERMINAL OF IGNITION SWITCH
- - - - DIRECT CURRENT FROM ACC TERMINAL OF IGNITION SWITCH
- OTHERS

Mazda

RX-7

1979
Wiring Diagram

MAZDA